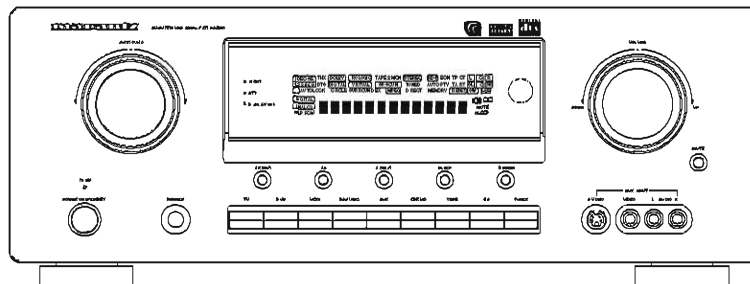


# Service Manual

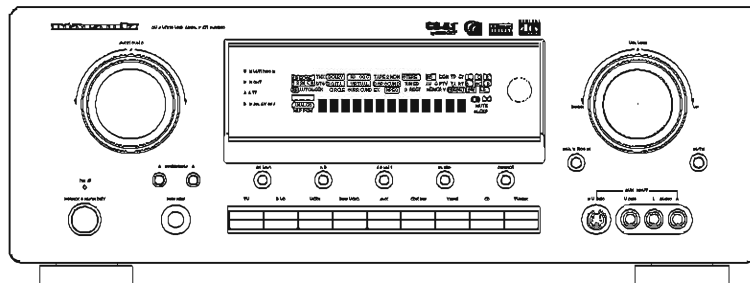
PS5200 / F1N, F2N  
PS7200 / F1N, F2N

AV Surround Amplifier

PS5200



PS7200



**CS-5.1**  
by SRS (C)



**DOLBY**  
**DIGITAL**  
**PRO LOGIC II**

**DIGITAL**  
**dts**  
**SURROUND**

PS5200 / PS7200

## TABLE OF CONTENTS

|                                       |    |
|---------------------------------------|----|
| 1. TECHNICAL SPECIFICATIONS .....     | 1  |
| 2. WIRING DIAGRAM .....               | 5  |
| 3. BLOCK DIAGRAM .....                | 7  |
| 4. SCHEMATIC DIAGRAM .....            | 9  |
| 5. PARTS LOCATION .....               | 27 |
| 6. IC DATA .....                      | 40 |
| 7. EXPLODED VIEW AND PARTS LIST ..... | 43 |
| 8. ELECTRICAL PARTS LIST .....        | 50 |

Please use this service manual with referring to the user guide ( D.F.U. ) without fail.  
修理の際は、必ず取扱説明書を準備し操作方法を確認の上作業を行ってください。

# marantz®



## PS5200 / PS7200

## MARANTZ DESIGN AND SERVICE

Using superior design and selected high grade components, **MARANTZ** company has created the ultimate in stereo sound. Only original **MARANTZ** parts can insure that your **MARANTZ** product will continue to perform to the specifications for which it is famous.

Parts for your **MARANTZ** equipment are generally available to our National Marantz Subsidiary or Agent.

### ORDERING PARTS :

Parts can be ordered either by mail or by Fax.. In both cases, the correct part number has to be specified.

The following information must be supplied to eliminate delays in processing your order :

1. Complete address
2. Complete part numbers and quantities required
3. Description of parts
4. Model number for which part is required
5. Way of shipment
6. Signature : any order form or Fax. must be signed, otherwise such part order will be considered as null and void.

#### USA

**MARANTZ AMERICA, INC**  
1100 MAPLEWOOD DRIVE  
ITASCA, IL. 60143  
USA  
PHONE : 630 - 741 - 0300  
FAX : 630 - 741 - 0301

#### EUROPE / TRADING

**MARANTZ EUROPE B.V.**  
P. O. BOX 8744, BUILDING SILVERPOINT  
BEEMDSTRAAT 11, 5653 MA EINDHOVEN  
THE NETHERLANDS  
PHONE : +31 - 40 - 2507844  
FAX : +31 - 40 - 2507860

#### BRAZIL

**PHILIPS DA AMAZONIA IND. ELET. ITDA**  
CENTRO DE INFORMACOES AO  
CEP 04698-970  
SAO PAULO, SP, BRAZIL  
PHONE : 0800 - 123123 (Discagem Direta Gratuita)  
FAX : +55 11 534. 8988

#### PROFESSIONAL AMERICAS

**SUPERSCOPE TECHNOLOGIES, INC.**  
MARANTZ PROFESSIONAL PRODUCTS  
2640 WHITE OAK CIRCLE, SUITE A  
AURORA, ILLINOIS 60504 USA  
PHONE : 630 - 820 - 4800  
FAX : 630 - 820 - 8103

#### PROFESSIONAL AUSTRALIA

**TECHNICAL AUDIO GROUP PTY, LTD**  
558 DARLING STREET,  
BALMAIN, NSW 2041,  
AUSTRALIA  
PHONE : 61 - 2 - 9810 - 5300  
FAX : 61 - 2 - 9810 - 5355

#### CANADA

**LENBROOK INDUSTRIES LIMITED**  
633 GRANITE COURT,  
PICKERING, ONTARIO L1W 3K1  
CANADA  
PHONE : 905 - 831 - 6333  
FAX : 905 - 831 - 6936

#### AUSTRALIA

**QualiFi Pty Ltd,**  
24 LIONEL ROAD,  
MT. WAVERLEY VIC 3149  
AUSTRALIA  
PHONE : +61 - (0)3 - 9543 - 1522  
FAX : +61 - (0)3 - 9543 - 3677

#### THAILAND

**MRZ STANDARD CO., LTD**  
746 - 754 MAHACHAI ROAD.,  
WANGBURAPAPIROM, PHRANAKORN,  
BANGKOK, 10200 THAILAND  
PHONE : +66 - 2 - 222 9181  
FAX : +66 - 2 - 224 6795

#### SINGAPORE

**WO KEE HONG DISTRIBUTION PTE LTD**  
130 JOO SENG ROAD  
#03-02 OLIVINE BUILDING  
SINGAPORE 368357  
PHONE : +65 858 5535 / +65 381 8621  
FAX : +65 858 6078

#### NEW ZEALAND

**WILDASH AUDIO SYSTEMS NZ**  
14 MALVERN ROAD MT ALBERT  
AUCKLAND NEW ZEALAND  
PHONE : +64 - 9 - 8451958  
FAX : +64 - 9 - 8463554

#### TAIWAN

**PAI-YUING CO., LTD.**  
6 TH FL NO. 148 SUNG KIANG ROAD,  
TAIPEI, 10429, TAIWAN R.O.C.  
PHONE : +886 - 2 - 25221304  
FAX : +886 - 2 - 25630415

#### MALAYSIA

**WO KEE HONG ELECTRONICS SDN. BHD.**  
SUITE 8.1, LEVEL 8, MENARA GENESIS,  
NO. 33, JALAN SULTAN ISMAIL,  
50250 KUALA LUMPUR, MALAYSIA  
PHONE : +60 3 - 2457677  
FAX : +60 3 - 2458180

#### JAPAN Technical

**MARANTZ JAPAN, INC.**  
35- 1, 7- CHOME, SAGAMIONO  
SAGAMIHARA - SHI, KANAGAWA  
JAPAN 228-8505  
PHONE : +81 42 748 1013  
FAX : +81 42 741 9190

#### 日本マランツ株式会社

本社 〒228-8505  
神奈川県相模原市相模大野7-35-1  
営業本部 〒150-0022  
東京都渋谷区恵比寿南1-11-9

#### KOREA

**MK ENTERPRISES LTD.**  
ROOM 604/605, ELECTRO-OFFICETEL, 16-58,  
3GA, HANGANG-RO, YONGSAN-KU, SEOUL  
KOREA  
PHONE : +822 - 3232 - 155  
FAX : +822 - 3232 - 154

### SHOCK, FIRE HAZARD SERVICE TEST :

**CAUTION :** After servicing this appliance and prior to returning to customer, measure the resistance between either primary AC cord connector pins ( with unit NOT connected to AC mains and its Power switch ON ), and the face or Front Panel of product and controls and chassis bottom.

Any resistance measurement less than 1 Megohms should cause unit to be repaired or corrected before AC power is applied, and verified before it is return to the user/customer.

Ref. UL Standard No. 1492.

In case of difficulties, do not hesitate to contact the Technical Department at above mentioned address.

# 1. TECHNICAL SPECIFICATIONS

## PS5200

### AMPLIFIER SECTION

|   |      |
|---|------|
| <b>Maximum Power Output (6 ohms / EIAJ)</b> |      |
| Front .....                                 | 135W |
| Center .....                                | 135W |
| Surround .....                              | 135W |

|  |               |
|--|---------------|
| <b>Continuous Power Output (8 ohms / 20 Hz - 20 kHz)</b> |               |
| Front .....  | 90 W          |
| Center .....   | 90 W          |
| Surround .....   | 90 W          |
| THD Front (20 Hz - 20 kHz) .....                         | 8 ohms 0.05 % |

|                                    |                   |
|------------------------------------|-------------------|
| <b>Input Sensitivity/Impedance</b> |                   |
| Linear .....                       | 340 mV / 47 kohms |

|                              |        |
|------------------------------|--------|
| <b>Signal to Noise Ratio</b> |        |
| Linear .....                 | 105 dB |

### DECORDER SECTION

|  |                        |
|--|------------------------|
| Applicable Signal Format .....                     |                        |
| ..... PCM Audio (fs=32kHz, 44.1kHz, 48kHz, 96kHz), |                        |
| ..... Dolby Digital, DTS, Mpeg2 AAC                |                        |
| Frequency Range                                    |                        |
| (Analog Input / Source Direct) .....               | 8 Hz - 100 kHz (±3 dB) |
| (Digital Input / 96kHz PCM) .....                  | 8 Hz - 45 kHz (±3 dB)  |

### VIDEO SECTION

|                                |                       |
|--------------------------------|-----------------------|
| Television Format .....        | NTSC                  |
| Input Level/Impedance .....    | 1 Vp-p / 75 ohms      |
| Output Level/Impedance .....   | 1 Vp-p / 75 ohms      |
| Video Frequency Response ..... | 5 Hz to 8 MHz (-1 dB) |
| S/N .....                      | 60 dB                 |

### GENERAL

|                         |                   |
|-------------------------|-------------------|
| Power Requirement ..... | AC 100 V 50/60 Hz |
| Power Consumption ..... | 310 W             |

### Dimensions (MAX)

|              |         |
|--------------|---------|
| Width .....  | 440 mm  |
| Height ..... | 164 mm  |
| Depth .....  | 425 mm  |
| Weight ..... | 12.9 kg |

### ACCESSORIES

|                                    |   |
|------------------------------------|---|
| Remote Control Unit RC5200SR ..... | 1 |
| AAA-size batteries .....           | 2 |

## PS7200

### AMPLIFIER SECTION

|   |      |
|---|------|
| <b>Maximum Power Output (6 ohms / EIAJ)</b> |      |
| Front .....                                 | 160W |
| Center .....                                | 160W |
| Surround .....                              | 160W |

|  |               |
|--|---------------|
| <b>Continuous Power Output (8 ohms / 20 Hz - 20 kHz)</b> |               |
| Front .....  | 110W          |
| Center .....   | 110W          |
| Surround .....   | 110W          |
| THD Front (20 Hz - 20 kHz) .....                         | 8 ohms 0.05 % |

|                                    |                   |
|------------------------------------|-------------------|
| <b>Input Sensitivity/Impedance</b> |                   |
| Linear .....                       | 340 mV / 47 kohms |

|                              |        |
|------------------------------|--------|
| <b>Signal to Noise Ratio</b> |        |
| Linear .....                 | 105 dB |

### DECORDER SECTION

|  |                        |
|--|------------------------|
| Applicable Signal Format .....                     |                        |
| ..... PCM Audio (fs=32kHz, 44.1kHz, 48kHz, 96kHz), |                        |
| ..... Dolby Digital, DTS, Mpeg2 AAC                |                        |
| Frequency Range                                    |                        |
| (Analog Input / Source Direct) .....               | 8 Hz - 100 kHz (±3 dB) |
| (Digital Input / 96kHz PCM) .....                  | 8 Hz - 45 kHz (±3 dB)  |

### VIDEO SECTION

|                                |                       |
|--------------------------------|-----------------------|
| Television Format .....        | NTSC                  |
| Input Level/Impedance .....    | 1 Vp-p / 75 ohms      |
| Output Level/Impedance .....   | 1 Vp-p / 75 ohms      |
| Video Frequency Response ..... | 5 Hz to 8 MHz (-1 dB) |
| S/N .....                      | 60 dB                 |

### GENERAL

|                         |                   |
|-------------------------|-------------------|
| Power Requirement ..... | AC 100 V 50/60 Hz |
| Power Consumption ..... | 350 W             |

### Dimensions (MAX)

|              |         |
|--------------|---------|
| Width .....  | 440 mm  |
| Height ..... | 164 mm  |
| Depth .....  | 425 mm  |
| Weight ..... | 14.9 kg |

### ACCESSORIES

|                                    |   |
|------------------------------------|---|
| Remote Control Unit RC7200SR ..... | 1 |
| AAA-size batteries .....           | 2 |

**The relation between the selected surround mode and the input signal**

The surround mode is selected with the surround mode selector knob of the PS5200 / PS7200 or the remote control unit. However, the sound from the speakers depends upon the relationship between the selected surround mode and the input signal. They are as follows;

**PS7200**

| Surround Mode             | Input Signal               | Output |       |   |    |    | Input Indicator | Format Status & Surround Mode   | Fluorescent Indicator       | Temporary Display Status | Ch. Status           |
|---------------------------|----------------------------|--------|-------|---|----|----|-----------------|---------------------------------|-----------------------------|--------------------------|----------------------|
|                           |                            | L/R    | SL/SR | C | SC | SW |                 |                                 |                             |                          |                      |
| Auto                      | Dolby Digital (5.1ch)      | ○      | ○     | ○ | -  | ○  | DIGITAL         | DOLBY, DIGITAL, AUTO            | >AUTO>                      |                          | L, C, R, SL, SR, LFE |
|                           | Dolby Digital (2ch)        | ○      | -     | - | -  | ○  | DIGITAL         | DOLBY, DIGITAL, AUTO            | >AUTO>                      |                          | L, R                 |
|                           | Dolby Digital (2ch: Lf/Rt) | ○      | ○     | ○ | -  | ○  | DIGITAL         | DOLBY, DIGITAL, PRO LOGIC, AUTO | >AUTO>                      |                          | L, R, SC             |
|                           | 96kHz PCM                  | ○      | -     | - | -  | -  | DIGITAL         | PCM, STEREO, AUTO               | >AUTO>96kHz>                |                          | L, R                 |
|                           | PCM(Audio)                 | ○      | -     | - | -  | ○  | DIGITAL         | PCM, STEREO, AUTO               | >AUTO>                      |                          | L, R                 |
|                           | Analog                     | ○      | -     | - | -  | ○  | ANALOG          | STEREO, AUTO                    | >AUTO>                      |                          | -                    |
|                           | DTS (5.1ch)                | ○      | ○     | ○ | -  | ○  | DIGITAL         | DTS, AUTO                       | >AUTO>                      |                          | L, C, R, SL, SR, LFE |
|                           | AAc(5.1)                   | ○      | ○     | ○ | -  | ○  | DIGITAL         | MPEG, AUTO                      | >AUTO>                      |                          | L, C, R, SL, SR, LFE |
|                           | AAc(2.0)                   | ○      | -     | - | -  | ○  | DIGITAL         | MPEG, STEREO, AUTO              | >AUTO>                      |                          | L, R                 |
| Stereo                    | Dolby Digital (5.1ch)      | ○      | -     | - | -  | ○  | DIGITAL         | DOLBY, DIGITAL, STEREO          | >STEREO>                    |                          | L, C, R, SL, SR, LFE |
|                           | Dolby Digital (2ch)        | ○      | -     | - | -  | ○  | DIGITAL         | DOLBY, DIGITAL, STEREO          | >STEREO>                    |                          | L, R                 |
|                           | Dolby Digital (2ch: Lf/Rt) | ○      | -     | - | -  | ○  | DIGITAL         | DOLBY, DIGITAL, STEREO          | >STEREO>                    |                          | L, R, SC             |
|                           | 96kHz PCM                  | ○      | -     | - | -  | -  | DIGITAL         | PCM, STEREO                     | >STEREO>96kHz>              |                          | L, R                 |
|                           | PCM(Audio)                 | ○      | -     | - | -  | ○  | DIGITAL         | PCM, STEREO                     | >STEREO>                    |                          | L, R                 |
|                           | Analog                     | ○      | -     | - | -  | ○  | ANALOG          | STEREO                          | >STEREO>                    |                          | -                    |
|                           | DTS (5.1ch)                | ○      | -     | - | -  | ○  | DIGITAL         | DTS, STEREO                     | >STEREO>                    |                          | L, C, R, SL, SR, LFE |
|                           | AAc(5.1)                   | ○      | -     | - | -  | ○  | DIGITAL         | MPEG, STEREO                    | >STEREO>                    |                          | L, C, R, SL, SR, LFE |
|                           | AAc(2.0)                   | ○      | -     | - | -  | ○  | DIGITAL         | MPEG, STEREO                    | >STEREO>                    |                          | L, R                 |
| Movie                     | Dolby Digital (5.1ch)      | ○      | ○     | ○ | -  | ○  | DIGITAL         | DOLBY, DIGITAL                  | >DOLBY D>                   |                          | L, C, R, SL, SR, LFE |
|                           | Dolby Digital (2ch)        | ○      | ○     | ○ | -  | ○  | DIGITAL         | DOLBY, DIGITAL, PRO LOGIC       | >PLII MOVIE>                |                          | L, R                 |
|                           | Dolby Digital (2ch: Lf/Rt) | ○      | ○     | ○ | -  | ○  | DIGITAL         | DOLBY, DIGITAL, PRO LOGIC       | >PLII MOVIE>                |                          | L, R, SC             |
|                           | 96kHz PCM                  | -      | -     | - | -  | -  | DIGITAL         | (PCM), DOLBY, PRO LOGIC         | >PLII MOVIE>96kHz>          |                          | -                    |
|                           | PCM(Audio)                 | ○      | ○     | ○ | -  | ○  | DIGITAL         | PCM, DOLBY, PRO LOGIC           | >PLII MOVIE>                |                          | L, R                 |
|                           | Analog                     | ○      | ○     | ○ | -  | ○  | ANALOG          | DOLBY, PRO LOGIC                | >PLII MOVIE>                |                          | -                    |
|                           | DTS (5.1ch)                | -      | -     | - | -  | -  | DIGITAL         | (DTS), DOLBY, PRO LOGIC         | >PLII MOVIE>                |                          | -                    |
|                           | AAc(5.1)                   | ○      | ○     | ○ | -  | ○  | DIGITAL         | MPEG                            | >PLII MOVIE>                |                          | L, C, R, SL, SR, LFE |
|                           | AAc(2.0)                   | ○      | ○     | ○ | -  | ○  | DIGITAL         | MPEG, PRO LOGIC                 | >PLII MOVIE>                |                          | L, R                 |
| Music                     | Dolby Digital (5.1ch)      | ○      | ○     | ○ | -  | ○  | DIGITAL         | DOLBY, DIGITAL                  | >DOLBY D>                   |                          | L, C, R, SL, SR, LFE |
|                           | Dolby Digital (2ch)        | ○      | ○     | ○ | -  | ○  | DIGITAL         | DOLBY, DIGITAL, PRO LOGIC       | >PLII MUSIC>                |                          | L, R                 |
|                           | Dolby Digital (2ch: Lf/Rt) | ○      | ○     | ○ | -  | ○  | DIGITAL         | DOLBY, DIGITAL, PRO LOGIC       | >PLII MUSIC>                |                          | L, R, SC             |
|                           | 96kHz PCM                  | -      | -     | - | -  | -  | DIGITAL         | (PCM), DOLBY, PRO LOGIC         | >PLII MUSIC>96kHz>          |                          | -                    |
|                           | PCM(Audio)                 | ○      | ○     | ○ | -  | ○  | DIGITAL         | PCM, DOLBY, PRO LOGIC           | >PLII MUSIC>                |                          | L, R                 |
|                           | Analog                     | ○      | ○     | ○ | -  | ○  | ANALOG          | DOLBY, PRO LOGIC                | >PLII MUSIC>                |                          | -                    |
|                           | DTS (5.1ch)                | -      | -     | - | -  | -  | DIGITAL         | (DTS), DOLBY, PRO LOGIC         | >PLII MUSIC>                |                          | -                    |
|                           | AAc(5.1)                   | ○      | ○     | ○ | -  | ○  | DIGITAL         | MPEG                            | >PLII MUSIC>                |                          | L, C, R, SL, SR, LFE |
|                           | AAc(2.0)                   | ○      | ○     | ○ | -  | ○  | DIGITAL         | MPEG, PRO LOGIC                 | >PLII MUSIC>                |                          | L, R                 |
| Pro Logic                 | Dolby Digital (5.1ch)      | ○      | ○     | ○ | -  | ○  | DIGITAL         | DOLBY, DIGITAL                  | >DOLBY D>                   |                          | L, C, R, SL, SR, LFE |
|                           | Dolby Digital (2ch)        | ○      | ○     | ○ | -  | ○  | DIGITAL         | DOLBY, DIGITAL, PRO LOGIC       | >PRO LOGIC>                 |                          | L, R                 |
|                           | Dolby Digital (2ch: Lf/Rt) | ○      | ○     | ○ | -  | ○  | DIGITAL         | DOLBY, DIGITAL, PRO LOGIC       | >PRO LOGIC>                 |                          | L, R, SC             |
|                           | 96kHz PCM                  | -      | -     | - | -  | -  | DIGITAL         | (PCM), DOLBY, PRO LOGIC         | >PRO LOGIC>96kHz>           |                          | -                    |
|                           | PCM(Audio)                 | ○      | ○     | ○ | -  | ○  | DIGITAL         | PCM, DOLBY, PRO LOGIC           | >PRO LOGIC>                 |                          | L, R                 |
|                           | Analog                     | ○      | ○     | ○ | -  | ○  | ANALOG          | DOLBY, PRO LOGIC                | >PRO LOGIC>                 |                          | -                    |
|                           | DTS (5.1ch)                | -      | -     | - | -  | -  | DIGITAL         | (DTS), DOLBY, PRO LOGIC         | >PRO LOGIC>                 |                          | -                    |
|                           | AAc(5.1)                   | ○      | ○     | ○ | -  | ○  | DIGITAL         | MPEG                            | >PRO LOGIC>                 |                          | L, C, R, SL, SR, LFE |
|                           | AAc(2.0)                   | ○      | ○     | ○ | -  | ○  | DIGITAL         | MPEG, PRO LOGIC                 | >PRO LOGIC>                 |                          | L, R                 |
| DTS                       | Dolby Digital (5.1ch)      | -      | -     | - | -  | -  | DIGITAL         | (DOLBY, DIGITAL), DTS           | >DTS>                       |                          | -                    |
|                           | Dolby Digital (2ch)        | -      | -     | - | -  | -  | DIGITAL         | (DOLBY, DIGITAL), DTS           | >DTS>                       |                          | -                    |
|                           | Dolby Digital (2ch: Lf/Rt) | -      | -     | - | -  | -  | DIGITAL         | (DOLBY, DIGITAL), DTS           | >DTS>                       |                          | -                    |
|                           | 96kHz PCM                  | -      | -     | - | -  | -  | DIGITAL         | (PCM), DTS                      | >DTS>96kHz>                 |                          | -                    |
|                           | PCM(Audio)                 | -      | -     | - | -  | -  | DIGITAL         | (PCM), DTS                      | >DTS>                       |                          | -                    |
|                           | Analog                     | -      | -     | - | -  | -  | (ANALOG)        | DTS                             | >DTS>                       |                          | -                    |
|                           | DTS (5.1ch)                | ○      | ○     | ○ | -  | ○  | DIGITAL         | DTS                             | >DTS>                       |                          | L, C, R, SL, SR, LFE |
|                           | AAc(5.1)                   | -      | -     | - | -  | -  | DIGITAL         | (MPEG), DTS                     | >DTS>                       |                          | -                    |
|                           | AAc(2.0)                   | -      | -     | - | -  | -  | DIGITAL         | (MPEG), DTS                     | >DTS>                       |                          | -                    |
| 6.1Ch Surround            | Dolby Digital (5.1ch)      | ○      | ○     | ○ | ○  | ○  | DIGITAL         | DOLBY, DIGITAL                  | >6.1 CH SURROUND>           |                          | L, C, R, SL, SR, LFE |
|                           | Dolby Digital (2ch)        | -      | -     | - | -  | -  | DIGITAL         | (DOLBY, DIGITAL)                | >6.1 CH SURROUND>           |                          | -                    |
|                           | Dolby Digital (2ch: Lf/Rt) | -      | -     | - | -  | -  | DIGITAL         | (DOLBY, DIGITAL)                | >6.1 CH SURROUND>           |                          | -                    |
|                           | 96kHz PCM                  | -      | -     | - | -  | -  | DIGITAL         | (PCM)                           | >6.1 CH SURROUND>96kHz>     |                          | -                    |
|                           | PCM(Audio)                 | -      | -     | - | -  | -  | DIGITAL         | (PCM)                           | >6.1 CH SURROUND>           |                          | -                    |
|                           | Analog                     | -      | -     | - | -  | -  | (ANALOG)        |                                 | >6.1 CH SURROUND>           |                          | -                    |
|                           | DTS (5.1ch)                | ○      | ○     | ○ | ○  | ○  | DIGITAL         | DTS                             | >6.1 CH SURROUND>           |                          | L, C, R, SL, SR, LFE |
|                           | AAc(5.1)                   | -      | -     | - | -  | -  | DIGITAL         | (MPEG)                          | >6.1 CH SURROUND>           |                          | -                    |
|                           | AAc(2.0)                   | -      | -     | - | -  | -  | DIGITAL         | (MPEG)                          | >6.1 CH SURROUND>           |                          | -                    |
| Movie Hall Stadium Matrix | Dolby Digital (5.1ch)      | -      | -     | - | -  | -  | DIGITAL         | (DOLBY, DIGITAL), DSP SOUND     | >MOVIE/HALL/STADIUM/MATRIX> |                          | -                    |
|                           | Dolby Digital (2ch)        | -      | -     | - | -  | -  | DIGITAL         | (DOLBY, DIGITAL), DSP SOUND     | >MOVIE/HALL/STADIUM/MATRIX> |                          | -                    |
|                           | Dolby Digital (2ch: Lf/Rt) | -      | -     | - | -  | -  | DIGITAL         | (DOLBY, DIGITAL), DSP SOUND     | >MOVIE/HALL/STADIUM/MATRIX> |                          | -                    |
|                           | 96kHz PCM                  | -      | -     | - | -  | -  | DIGITAL         | (PCM), DSP SOUND                | >MOVIE/HALL/STADIUM/MATRIX> |                          | -                    |
|                           | PCM(Audio)                 | ○      | ○     | ○ | -  | ○  | DIGITAL         | PCM, DSP SOUND                  | >MOVIE/HALL/STADIUM/MATRIX> |                          | L, R                 |
|                           | Analog                     | ○      | ○     | ○ | -  | ○  | ANALOG          | DSP SOUND                       | >MOVIE/HALL/STADIUM/MATRIX> |                          | -                    |
|                           | DTS (5.1ch)                | -      | -     | - | -  | -  | DIGITAL         | (DTS), DSP SOUND                | >MOVIE/HALL/STADIUM/MATRIX> |                          | -                    |
|                           | AAc(5.1)                   | -      | -     | - | -  | -  | DIGITAL         | (MPEG), DSP SOUND               | >MOVIE/HALL/STADIUM/MATRIX> |                          | -                    |
|                           | AAc(2.0)                   | -      | -     | - | -  | -  | DIGITAL         | (MPEG), DSP SOUND               | >MOVIE/HALL/STADIUM/MATRIX> |                          | -                    |

| Surround Mode | Input Signal               | Output |       |   |    |    | Fluorescent Indicator |                                   |                          |                      |
|---------------|----------------------------|--------|-------|---|----|----|-----------------------|-----------------------------------|--------------------------|----------------------|
|               |                            | L/R    | SL/SR | C | SC | SW | Input Indicator       | Format Status & Surround Mode     | Temporary Display Status | Ch. Status           |
| Virtual       | Dolby Digital (5.1ch)      | ○      | -     | - | -  | -  | DIGITAL               | DOLBY, DIGITAL, VIRTUAL           | >VIRTUAL>                | L, C, R, SL, SR, LFE |
|               | Dolby Digital (2ch)        | ○      | -     | - | -  | -  | DIGITAL               | DOLBY, DIGITAL, PROLOGIC, VIRTUAL | >VIRTUAL>                | L, R                 |
|               | Dolby Digital (2ch: Lt/Rt) | ○      | -     | - | -  | -  | DIGITAL               | DOLBY, DIGITAL, PROLOGIC, VIRTUAL | >VIRTUAL>                | L, R, SC             |
|               | 96kHz PCM                  | -      | -     | - | -  | -  | DIGITAL               | (PCM), DOLBY, VIRTUAL             | >VIRTUAL>96kHz>          | -                    |
|               | PCM(Audio)                 | ○      | -     | - | -  | -  | DIGITAL               | PCM, DOLBY, PROLOGIC, VIRTUAL     | >VIRTUAL>                | L, R                 |
|               | Analog                     | ○      | -     | - | -  | -  | ANALOG                | DOLBY, PROLOGIC, VIRTUAL          | >VIRTUAL>                | -                    |
|               | DTS (5.1ch)                | -      | -     | - | -  | -  | DIGITAL               | (DTS), DOLBY, VIRTUAL             | >VIRTUAL>                | -                    |
|               | AAC(5.1)                   | -      | -     | - | -  | -  | DIGITAL               | (MPEG), DOLBY, VIRTUAL            | >VIRTUAL>                | -                    |
|               | AAC(2.0)                   | -      | -     | - | -  | -  | DIGITAL               | (MPEG), DOLBY, VIRTUAL            | >VIRTUAL>                | -                    |
| CS5.1         | Dolby Digital (5.1ch)      | -      | -     | - | -  | -  | DIGITAL               | (DOLBY DIGITAL), CIRCLE SURROUND  | >CS5.1>                  | -                    |
|               | Dolby Digital (2ch)        | -      | -     | - | -  | -  | DIGITAL               | (DOLBY DIGITAL), CIRCLE SURROUND  | >CS5.1>                  | -                    |
|               | Dolby Digital (2ch: Lt/Rt) | -      | -     | - | -  | -  | DIGITAL               | (DOLBY DIGITAL), CIRCLE SURROUND  | >CS5.1>                  | -                    |
|               | 96kHz PCM                  | -      | -     | - | -  | -  | DIGITAL               | (PCM), CIRCLE SURROUND            | >CS5.1>96kHz>            | -                    |
|               | PCM(Audio)                 | ○      | ○     | ○ | -  | ○  | DIGITAL               | PCM, CIRCLE SURROUND              | >CS5.1>                  | L, R                 |
|               | Analog                     | ○      | ○     | ○ | -  | ○  | ANALOG                |                                   | >CS5.1>                  | -                    |
|               | DTS (5.1ch)                | -      | -     | - | -  | -  | DIGITAL               | (DTS), CIRCLE SURROUND            | >CS5.1>                  | -                    |
|               | AAC(5.1)                   | -      | -     | - | -  | -  | DIGITAL               | (MPEG), CIRCLE SURROUND           | >CS5.1>                  | -                    |
|               | AAC(2.0)                   | -      | -     | - | -  | -  | DIGITAL               | (MPEG), CIRCLE SURROUND           | >CS5.1>                  | -                    |
| 8CH Stereo    | Dolby Digital (5.1ch)      | ○      | ○     | ○ | -  | ○  | DIGITAL               | DOLBY, DIGITAL                    | >8CH STEREO>             | L, C, R, SL, SR, LFE |
|               | Dolby Digital (2ch)        | ○      | ○     | ○ | ○  | ○  | DIGITAL               | DOLBY, DIGITAL                    | >8CH STEREO>             | L, R                 |
|               | Dolby Digital (2ch: Lt/Rt) | ○      | ○     | ○ | ○  | ○  | DIGITAL               | DOLBY, DIGITAL                    | >8CH STEREO>             | L, R, SC             |
|               | 96kHz PCM                  | -      | -     | - | -  | -  | DIGITAL               | (PCM)                             | >8CH STEREO>96kHz>       | -                    |
|               | PCM(Audio)                 | ○      | ○     | ○ | ○  | ○  | DIGITAL               | PCM                               | >8CH STEREO>             | L, R                 |
|               | Analog                     | ○      | ○     | ○ | ○  | ○  | ANALOG                |                                   | >8CH STEREO>             | -                    |
|               | DTS (5.1ch)                | ○      | ○     | ○ | -  | ○  | DIGITAL               | DTS                               | >8CH STEREO>             | L, C, R, SL, SR, LFE |
|               | AAC(5.1)                   | ○      | ○     | ○ | -  | ○  | DIGITAL               | MPEG                              | >8CH STEREO>             | L, C, R, SL, SR, LFE |
|               | AAC(2.0)                   | ○      | ○     | ○ | ○  | ○  | DIGITAL               | MPEG                              | >8CH STEREO>             | L, R                 |

L/R : Front speaker ( ) : The indicator blinks  
SL/SR : Surround speaker  
C : Center speaker  
SC : Surround center speaker  
SW : Sub woofer speaker

L : Left  
R : Right  
C : Center  
SL : Surround Left  
SR : Surround Right  
SC : Mono Surround  
LFE : Low Frequency Effect

#### NOTES:

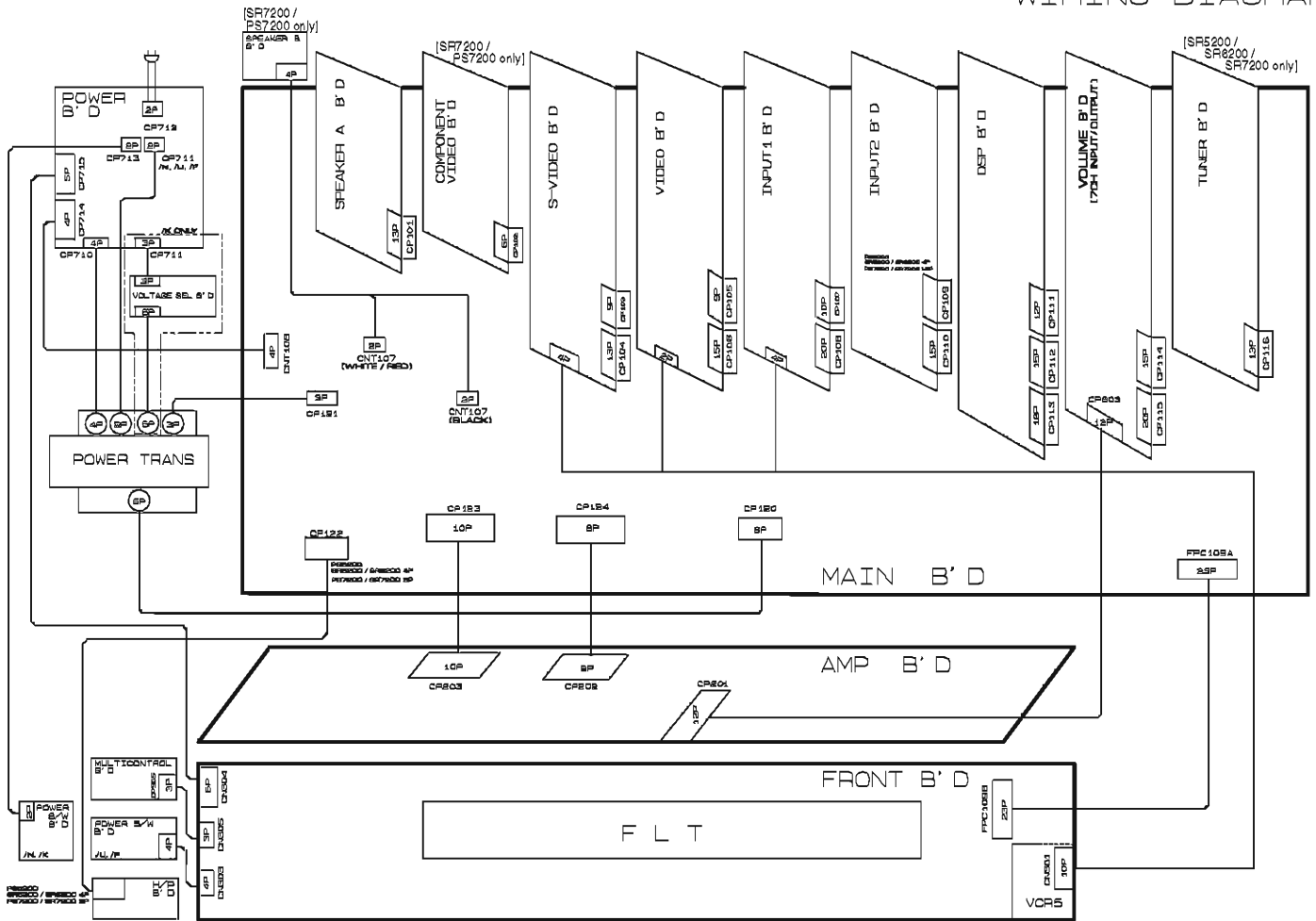
- Dolby Digital (2 ch: Lt/Rt): signal with Dolby Surround flag Speakers are full set.
- When DOLBY DIGITAL, DTS, PCM or ANALOG is blinking, the selected surround mode is unavailable for input signal. Select the other appropriate surround mode to playback.
- No sound outputs from the surround speaker, center speaker and subwoofer if the DVD disc has no surround data.

PS5200

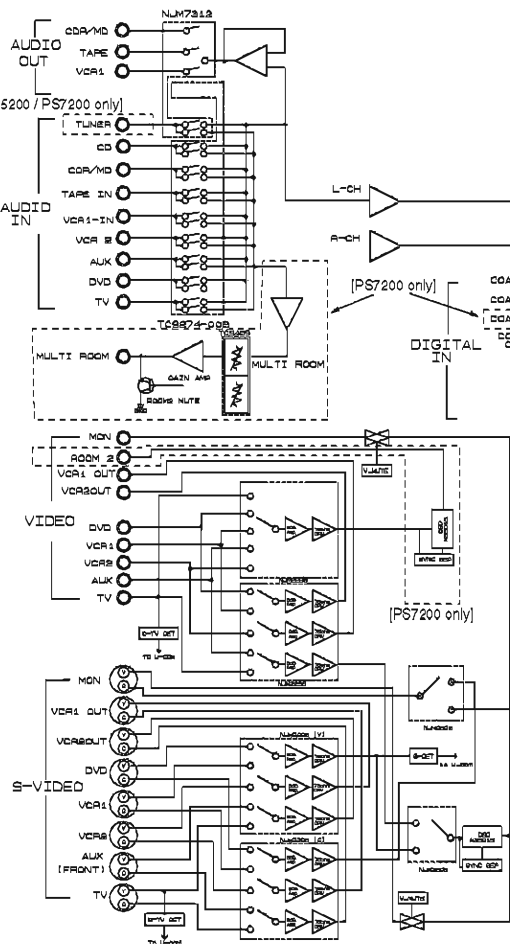
| Surround Mode             | Input Signal               | Output |      |   |    |    | Fluorescent Indicator |                                    |                             |                      |
|---------------------------|----------------------------|--------|------|---|----|----|-----------------------|------------------------------------|-----------------------------|----------------------|
|                           |                            | L/R    | S/VS | C | SC | SW | Input Indicator       | Format Status & Surround Mode      | Temporary Display Status    | Ch. Status           |
| Auto                      | Dolby Digital (5.1ch)      | 0      | 0    | 0 | -  | 0  | DIGITAL               | DOLBY, DIGITAL, AUTO               | >AUTO>                      | L, C, R, SL, SR, LFE |
|                           | Dolby Digital (2ch)        | 0      | -    | - | -  | 0  | DIGITAL               | DOLBY, DIGITAL, AUTO               | >AUTO>                      | L, R                 |
|                           | Dolby Digital (2ch: Lf/Rt) | 0      | 0    | 0 | -  | 0  | DIGITAL               | DOLBY, DIGITAL, PRO LOGIC, AUTO    | >AUTO>                      | L, R, SC             |
|                           | 96kHz PCM                  | 0      | -    | - | -  | -  | DIGITAL               | PCM, STEREO, AUTO                  | >AUTO>96kHz>                | L, R                 |
|                           | PCM(Audio)                 | 0      | -    | - | -  | 0  | DIGITAL               | PCM, STEREO, AUTO                  | >AUTO>                      | L, R                 |
|                           | Analog                     | 0      | -    | - | -  | 0  | ANALOG                | STEREO, AUTO                       | >AUTO>                      | -                    |
|                           | DTS (5.1ch)                | 0      | 0    | 0 | -  | 0  | DIGITAL               | DTS, AUTO                          | >AUTO>                      | L, C, R, SL, SR, LFE |
|                           | AAC(5.1)                   | 0      | 0    | 0 | -  | 0  | DIGITAL               | MPEG, AUTO                         | >AUTO>                      | L, C, R, SL, SR, LFE |
|                           | AAC(2.0)                   | 0      | -    | - | -  | 0  | DIGITAL               | MPEG, STEREO, AUTO                 | >AUTO>                      | L, R                 |
| Stereo                    | Dolby Digital (5.1ch)      | 0      | -    | - | -  | 0  | DIGITAL               | DOLBY, DIGITAL, STEREO             | >STEREO>                    | L, C, R, SL, SR, LFE |
|                           | Dolby Digital (2ch)        | 0      | -    | - | -  | 0  | DIGITAL               | DOLBY, DIGITAL, STEREO             | >STEREO>                    | L, R                 |
|                           | Dolby Digital (2ch: Lf/Rt) | 0      | -    | - | -  | 0  | DIGITAL               | DOLBY, DIGITAL, STEREO             | >STEREO>                    | L, R, SC             |
|                           | 96kHz PCM                  | 0      | -    | - | -  | -  | DIGITAL               | PCM, STEREO                        | >STEREO>96kHz>              | L, R                 |
|                           | PCM(Audio)                 | 0      | -    | - | -  | 0  | DIGITAL               | PCM, STEREO                        | >STEREO>                    | L, R                 |
|                           | Analog                     | 0      | -    | - | -  | 0  | ANALOG                | STEREO                             | >STEREO>                    | -                    |
|                           | DTS (5.1ch)                | 0      | -    | - | -  | 0  | DIGITAL               | DTS, STEREO                        | >STEREO>                    | L, C, R, SL, SR, LFE |
|                           | AAC(5.1)                   | 0      | -    | - | -  | 0  | DIGITAL               | MPEG, STEREO                       | >STEREO>                    | L, C, R, SL, SR, LFE |
|                           | AAC(2.0)                   | 0      | -    | - | -  | 0  | DIGITAL               | MPEG, STEREO                       | >STEREO>                    | L, R                 |
| Movie                     | Dolby Digital (5.1ch)      | 0      | 0    | 0 | -  | 0  | DIGITAL               | DOLBY, DIGITAL                     | >DOLBY D>                   | L, C, R, SL, SR, LFE |
|                           | Dolby Digital (2ch)        | 0      | 0    | 0 | -  | 0  | DIGITAL               | DOLBY, DIGITAL, PRO LOGIC          | >PLII MOVIE>                | L, R                 |
|                           | Dolby Digital (2ch: Lf/Rt) | 0      | 0    | 0 | -  | 0  | DIGITAL               | DOLBY, DIGITAL, PRO LOGIC          | >PLII MOVIE>                | L, R, SC             |
|                           | 96kHz PCM                  | -      | -    | - | -  | -  | DIGITAL               | (PCM), DOLBY, PRO LOGIC            | >PLII MOVIE>96kHz>          | -                    |
|                           | PCM(Audio)                 | 0      | 0    | 0 | -  | 0  | DIGITAL               | PCM, DOLBY, PRO LOGIC              | >PLII MOVIE>                | L, R                 |
|                           | Analog                     | 0      | 0    | 0 | -  | 0  | ANALOG                | DOLBY, PRO LOGIC                   | >PLII MOVIE>                | -                    |
|                           | DTS (5.1ch)                | -      | -    | - | -  | -  | DIGITAL               | (DTS), DOLBY, PRO LOGIC            | >PLII MOVIE>                | -                    |
|                           | AAC(5.1)                   | 0      | 0    | 0 | -  | 0  | DIGITAL               | MPEG                               | >PLII MOVIE>                | L, C, R, SL, SR, LFE |
|                           | AAC(2.0)                   | 0      | 0    | 0 | -  | 0  | DIGITAL               | MPEG, PRO LOGIC                    | >PLII MOVIE>                | L, R                 |
| Music                     | Dolby Digital (5.1ch)      | 0      | 0    | 0 | -  | 0  | DIGITAL               | DOLBY, DIGITAL                     | >DOLBY D>                   | L, C, R, SL, SR, LFE |
|                           | Dolby Digital (2ch)        | 0      | 0    | 0 | -  | 0  | DIGITAL               | DOLBY, DIGITAL, PRO LOGIC          | >PLII MUSIC>                | L, R                 |
|                           | Dolby Digital (2ch: Lf/Rt) | 0      | 0    | 0 | -  | 0  | DIGITAL               | DOLBY, DIGITAL, PRO LOGIC          | >PLII MUSIC>                | L, R, SC             |
|                           | 96kHz PCM                  | -      | -    | - | -  | -  | DIGITAL               | (PCM), DOLBY, PRO LOGIC            | >PLII MUSIC>96kHz>          | -                    |
|                           | PCM(Audio)                 | 0      | 0    | 0 | -  | 0  | DIGITAL               | PCM, DOLBY, PRO LOGIC              | >PLII MUSIC>                | L, R                 |
|                           | Analog                     | 0      | 0    | 0 | -  | 0  | ANALOG                | DOLBY, PRO LOGIC                   | >PLII MUSIC>                | -                    |
|                           | DTS (5.1ch)                | -      | -    | - | -  | -  | DIGITAL               | (DTS), DOLBY, PRO LOGIC            | >PLII MUSIC>                | -                    |
|                           | AAC(5.1)                   | 0      | 0    | 0 | -  | 0  | DIGITAL               | MPEG                               | >PLII MUSIC>                | L, C, R, SL, SR, LFE |
|                           | AAC(2.0)                   | 0      | 0    | 0 | -  | 0  | DIGITAL               | MPEG, PRO LOGIC                    | >PLII MUSIC>                | L, R                 |
| Pro Logic                 | Dolby Digital (5.1ch)      | 0      | 0    | 0 | -  | 0  | DIGITAL               | DOLBY, DIGITAL                     | >DOLBY D>                   | L, C, R, SL, SR, LFE |
|                           | Dolby Digital (2ch)        | 0      | 0    | 0 | -  | 0  | DIGITAL               | DOLBY, DIGITAL, PRO LOGIC          | >PRO LOGIC>                 | L, R                 |
|                           | Dolby Digital (2ch: Lf/Rt) | 0      | 0    | 0 | -  | 0  | DIGITAL               | DOLBY, DIGITAL, PRO LOGIC          | >PRO LOGIC>                 | L, R, SC             |
|                           | 96kHz PCM                  | -      | -    | - | -  | -  | DIGITAL               | (PCM), DOLBY, PRO LOGIC            | >PRO LOGIC>96kHz>           | -                    |
|                           | PCM(Audio)                 | 0      | 0    | 0 | -  | 0  | DIGITAL               | PCM, DOLBY, PRO LOGIC              | >PRO LOGIC>                 | L, R                 |
|                           | Analog                     | 0      | 0    | 0 | -  | 0  | ANALOG                | DOLBY, PRO LOGIC                   | >PRO LOGIC>                 | -                    |
|                           | DTS (5.1ch)                | -      | -    | - | -  | -  | DIGITAL               | (DTS), DOLBY, PRO LOGIC            | >PRO LOGIC>                 | -                    |
|                           | AAC(5.1)                   | 0      | 0    | 0 | -  | 0  | DIGITAL               | MPEG                               | >PRO LOGIC>                 | L, C, R, SL, SR, LFE |
|                           | AAC(2.0)                   | 0      | 0    | 0 | -  | 0  | DIGITAL               | MPEG, PRO LOGIC                    | >PRO LOGIC>                 | L, R                 |
| DTS                       | Dolby Digital (5.1ch)      | -      | -    | - | -  | -  | DIGITAL               | (DOLBY, DIGITAL), DTS              | >DTS>                       | -                    |
|                           | Dolby Digital (2ch)        | -      | -    | - | -  | -  | DIGITAL               | (DOLBY, DIGITAL), DTS              | >DTS>                       | -                    |
|                           | Dolby Digital (2ch: Lf/Rt) | -      | -    | - | -  | -  | DIGITAL               | (DOLBY, DIGITAL), DTS              | >DTS>                       | -                    |
|                           | 96kHz PCM                  | -      | -    | - | -  | -  | DIGITAL               | (PCM), DTS                         | >DTS>96kHz>                 | -                    |
|                           | PCM(Audio)                 | -      | -    | - | -  | -  | DIGITAL               | (PCM), DTS                         | >DTS>                       | -                    |
|                           | Analog                     | -      | -    | - | -  | -  | (ANALOG)              | DTS                                | >DTS>                       | -                    |
|                           | DTS (5.1ch)                | 0      | 0    | 0 | -  | 0  | DIGITAL               | DTS                                | >DTS>                       | L, C, R, SL, SR, LFE |
|                           | AAC(5.1)                   | -      | -    | - | -  | -  | DIGITAL               | (MPEG), DTS                        | >DTS>                       | -                    |
|                           | AAC(2.0)                   | -      | -    | - | -  | -  | DIGITAL               | (MPEG), DTS                        | >DTS>                       | -                    |
| 6.1Ch Surround            | Dolby Digital (5.1ch)      | 0      | 0    | 0 | 0  | 0  | DIGITAL               | DOLBY, DIGITAL                     | >6.1 CH SURROUND>           | L, C, R, SL, SR, LFE |
|                           | Dolby Digital (2ch)        | -      | -    | - | -  | -  | DIGITAL               | (DOLBY, DIGITAL)                   | >6.1 CH SURROUND>           | -                    |
|                           | Dolby Digital (2ch: Lf/Rt) | -      | -    | - | -  | -  | DIGITAL               | (DOLBY, DIGITAL)                   | >6.1 CH SURROUND>           | -                    |
|                           | 96kHz PCM                  | -      | -    | - | -  | -  | DIGITAL               | (PCM)                              | >6.1 CH SURROUND>96kHz>     | -                    |
|                           | PCM(Audio)                 | -      | -    | - | -  | -  | DIGITAL               | (PCM)                              | >6.1 CH SURROUND>           | -                    |
|                           | Analog                     | -      | -    | - | -  | -  | (ANALOG)              |                                    | >6.1 CH SURROUND>           | -                    |
|                           | DTS (5.1ch)                | 0      | 0    | 0 | 0  | 0  | DIGITAL               | DTS                                | >6.1 CH SURROUND>           | L, C, R, SL, SR, LFE |
|                           | AAC(5.1)                   | -      | -    | - | -  | -  | DIGITAL               | (MPEG)                             | >6.1 CH SURROUND>           | -                    |
|                           | AAC(2.0)                   | -      | -    | - | -  | -  | DIGITAL               | (MPEG)                             | >6.1 CH SURROUND>           | -                    |
| Movie Hall Stadium Matrix | Dolby Digital (5.1ch)      | -      | -    | - | -  | -  | DIGITAL               | (DOLBY, DIGITAL), DSP SOUND        | >MOVIE/HALL/STADIUM/MATRIX> | -                    |
|                           | Dolby Digital (2ch)        | -      | -    | - | -  | -  | DIGITAL               | (DOLBY, DIGITAL), DSP SOUND        | >MOVIE/HALL/STADIUM/MATRIX> | -                    |
|                           | Dolby Digital (2ch: Lf/Rt) | -      | -    | - | -  | -  | DIGITAL               | (DOLBY, DIGITAL), DSP SOUND        | >MOVIE/HALL/STADIUM/MATRIX> | -                    |
|                           | 96kHz PCM                  | -      | -    | - | -  | -  | DIGITAL               | (PCM), DSP SOUND                   | >MOVIE/HALL/STADIUM/MATRIX> | -                    |
|                           | PCM(Audio)                 | 0      | 0    | 0 | -  | 0  | DIGITAL               | PCM, DSP SOUND                     | >MOVIE/HALL/STADIUM/MATRIX> | L, R                 |
|                           | Analog                     | 0      | 0    | 0 | -  | 0  | ANALOG                | DSP SOUND                          | >MOVIE/HALL/STADIUM/MATRIX> | -                    |
|                           | DTS (5.1ch)                | -      | -    | - | -  | -  | DIGITAL               | (DTS), DSP SOUND                   | >MOVIE/HALL/STADIUM/MATRIX> | -                    |
|                           | AAC(5.1)                   | -      | -    | - | -  | -  | DIGITAL               | (MPEG), DSP SOUND                  | >MOVIE/HALL/STADIUM/MATRIX> | -                    |
|                           | AAC(2.0)                   | -      | -    | - | -  | -  | DIGITAL               | (MPEG), DSP SOUND                  | >MOVIE/HALL/STADIUM/MATRIX> | -                    |
| Virtual                   | Dolby Digital (5.1ch)      | 0      | -    | - | -  | -  | DIGITAL               | DOLBY, DIGITAL, VIRTUAL            | >VIRTUAL>                   | L, C, R, SL, SR, LFE |
|                           | Dolby Digital (2ch)        | 0      | -    | - | -  | -  | DIGITAL               | DOLBY, DIGITAL, PRO LOGIC, VIRTUAL | >VIRTUAL>                   | L, R                 |
|                           | Dolby Digital (2ch: Lf/Rt) | 0      | -    | - | -  | -  | DIGITAL               | DOLBY, DIGITAL, PRO LOGIC, VIRTUAL | >VIRTUAL>                   | L, R, SC             |
|                           | 96kHz PCM                  | -      | -    | - | -  | -  | DIGITAL               | (PCM), DOLBY, VIRTUAL              | >VIRTUAL>96kHz>             | -                    |
|                           | PCM(Audio)                 | 0      | -    | - | -  | -  | DIGITAL               | PCM, DOLBY, PRO LOGIC, VIRTUAL     | >VIRTUAL>                   | L, R                 |
|                           | Analog                     | 0      | -    | - | -  | -  | ANALOG                | DOLBY, PRO LOGIC, VIRTUAL          | >VIRTUAL>                   | -                    |
|                           | DTS (5.1ch)                | -      | -    | - | -  | -  | DIGITAL               | (DTS), DOLBY, VIRTUAL              | >VIRTUAL>                   | -                    |
|                           | AAC(5.1)                   | -      | -    | - | -  | -  | DIGITAL               | (MPEG), DOLBY, VIRTUAL             | >VIRTUAL>                   | -                    |
|                           | AAC(2.0)                   | -      | -    | - | -  | -  | DIGITAL               | (MPEG), DOLBY, VIRTUAL             | >VIRTUAL>                   | -                    |
| 6CH Stereo                | Dolby Digital (5.1ch)      | 0      | 0    | 0 | -  | 0  | DIGITAL               | DOLBY, DIGITAL                     | >6CH STEREO>                | L, C, R, SL, SR, LFE |
|                           | Dolby Digital (2ch)        | 0      | 0    | 0 | -  | 0  | DIGITAL               | DOLBY, DIGITAL                     | >6CH STEREO>                | L, R                 |
|                           | Dolby Digital (2ch: Lf/Rt) | 0      | 0    | 0 | -  | 0  | DIGITAL               | DOLBY, DIGITAL                     | >6CH STEREO>                | L, R, SC             |
|                           | 96kHz PCM                  | -      | -    | - | -  | -  | DIGITAL               | (PCM)                              | >6CH STEREO>96kHz>          | -                    |
|                           | PCM(Audio)                 | 0      | 0    | 0 | -  | 0  | DIGITAL               | PCM                                | >6CH STEREO>                | L, R                 |
|                           | Analog                     | 0      | 0    | 0 | -  | 0  | ANALOG                |                                    | >6CH STEREO>                | -                    |
|                           | DTS (5.1ch)                | 0      | 0    | 0 | -  | 0  | DIGITAL               | DTS                                | >6CH STEREO>                | L, C, R, SL, SR, LFE |
|                           | AAC(5.1)                   | 0      | 0    | 0 | -  | 0  | DIGITAL               | MPEG                               | >6CH STEREO>                | L, C, R, SL, SR, LFE |
|                           | AAC(2.0)                   | 0      | 0    | 0 | -  | 0  | DIGITAL               | MPEG                               | >6CH STEREO>                | L, R                 |

2. WIRING DIAGRAM

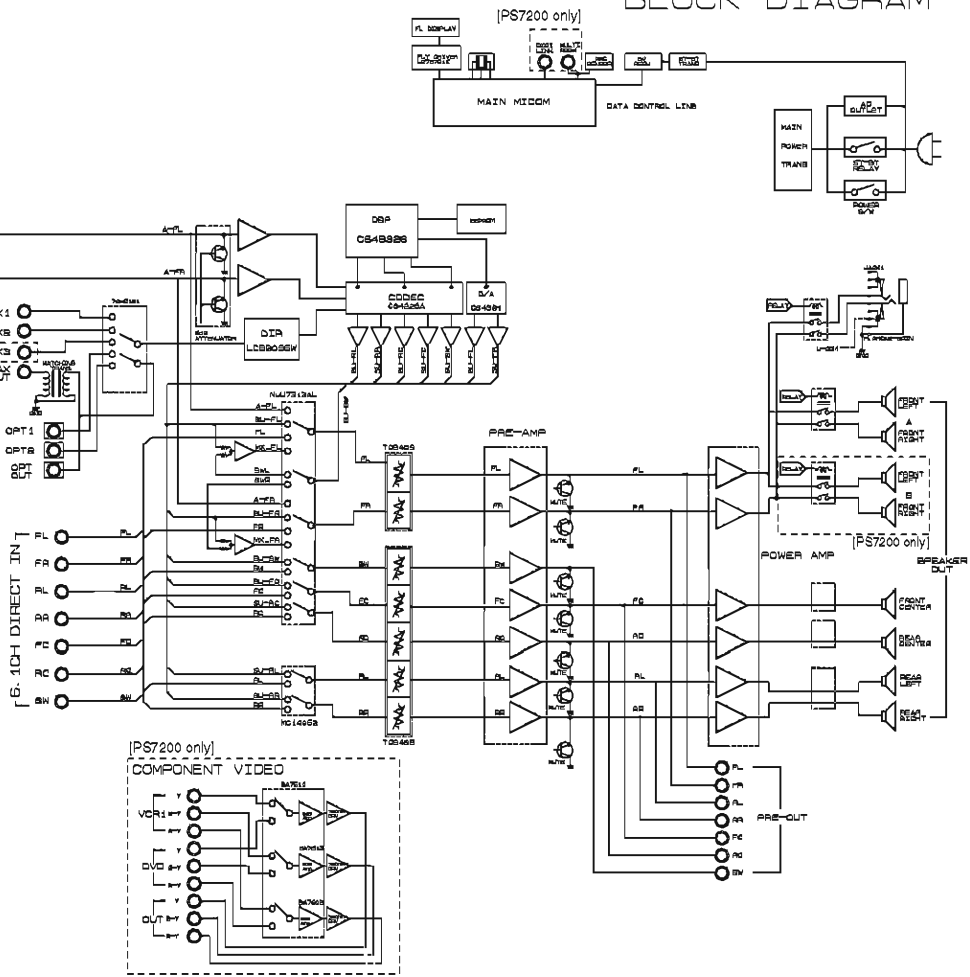
WIRING DIAGRAM



3. BLOCK DIAGRAM

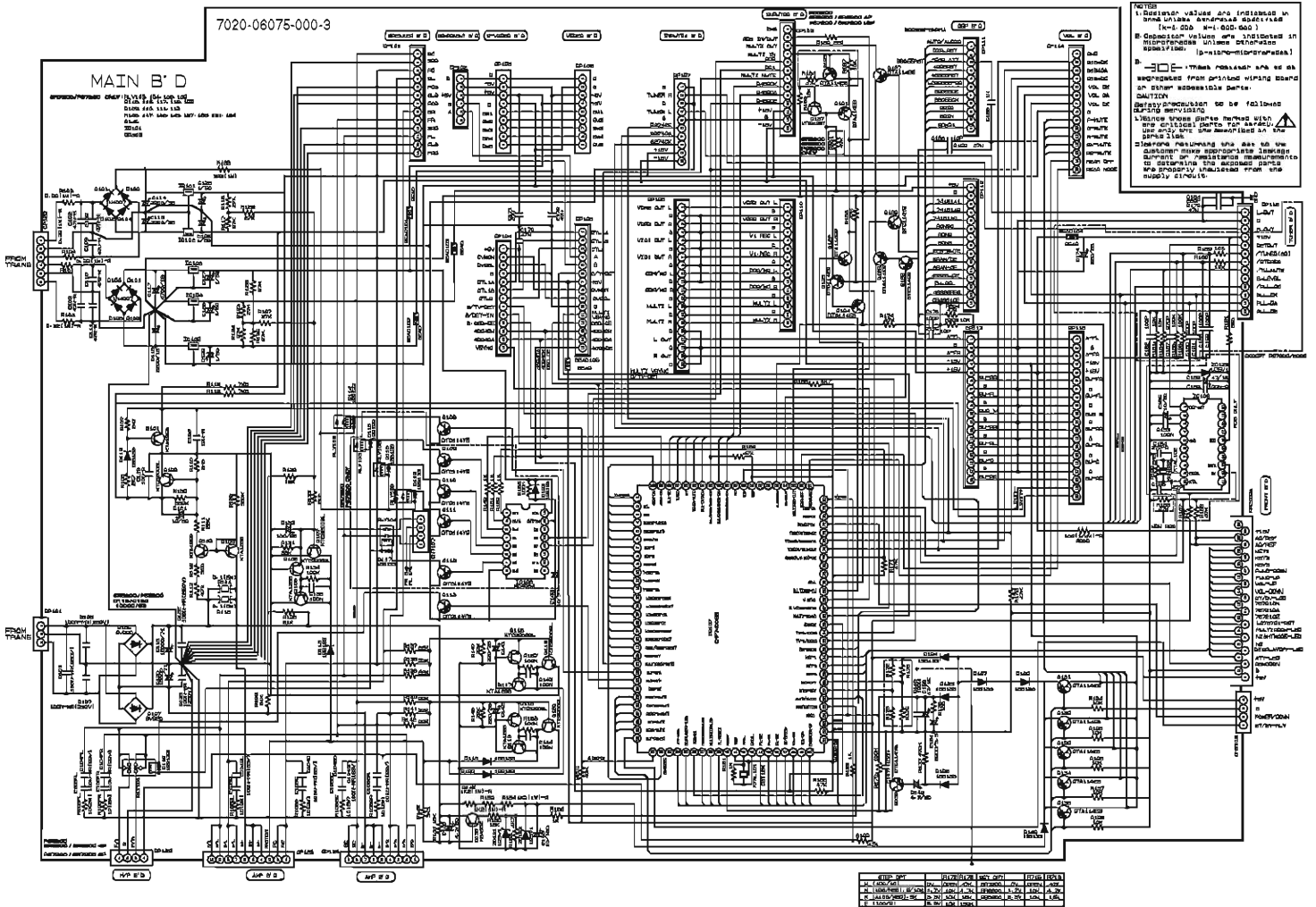


BLOCK DIAGRAM

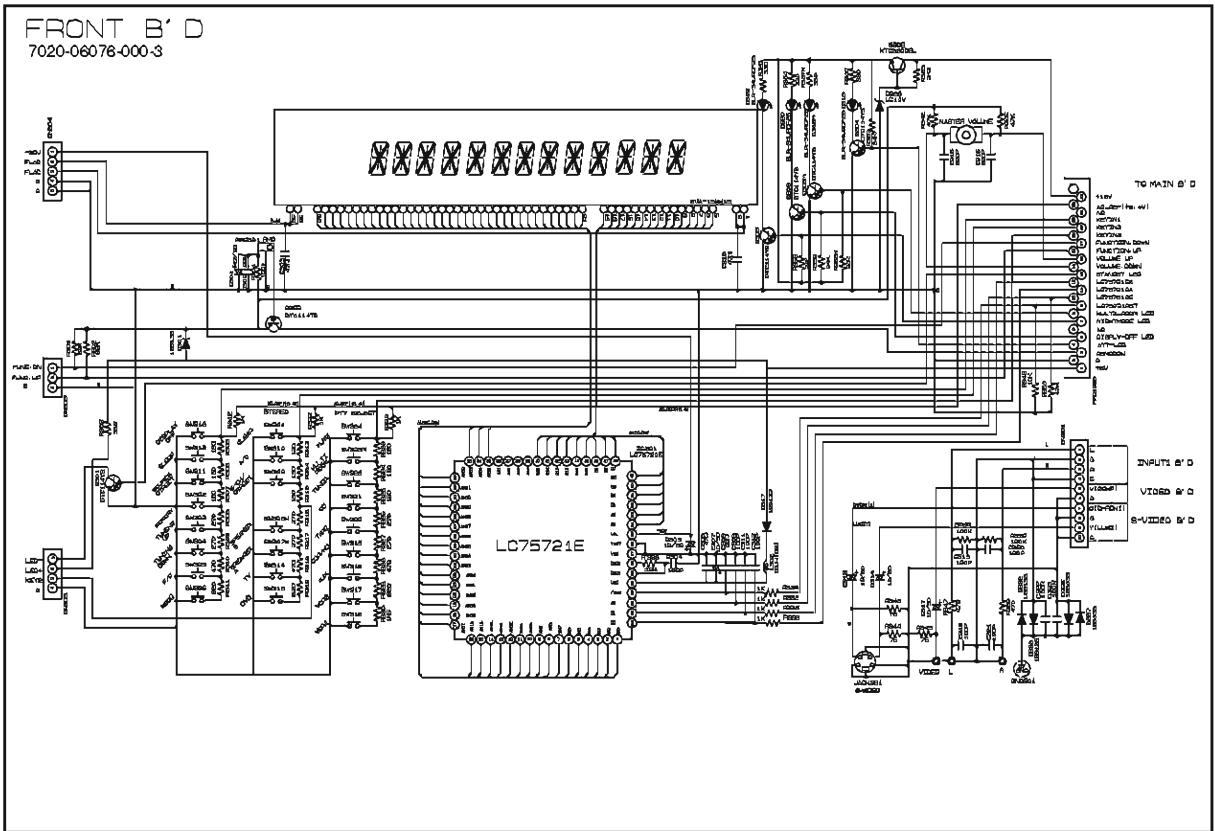
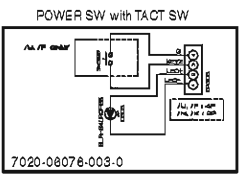
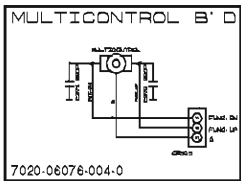
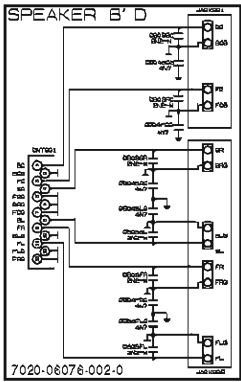


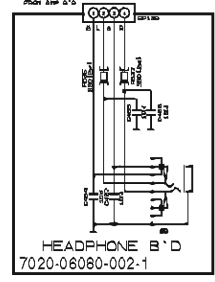
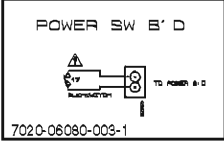
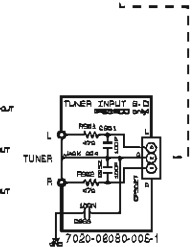
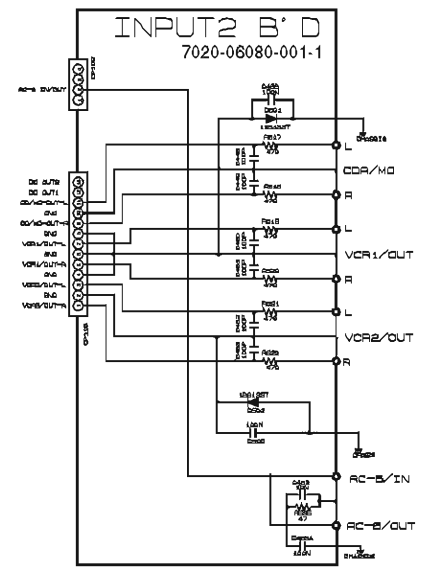
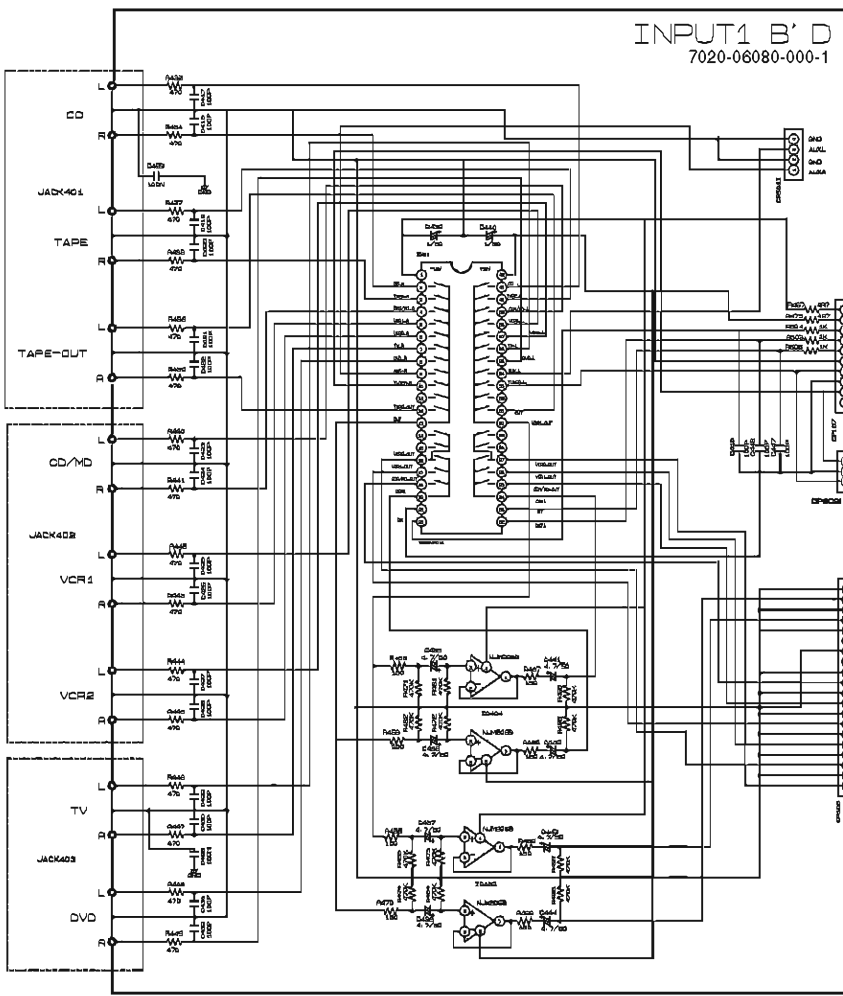


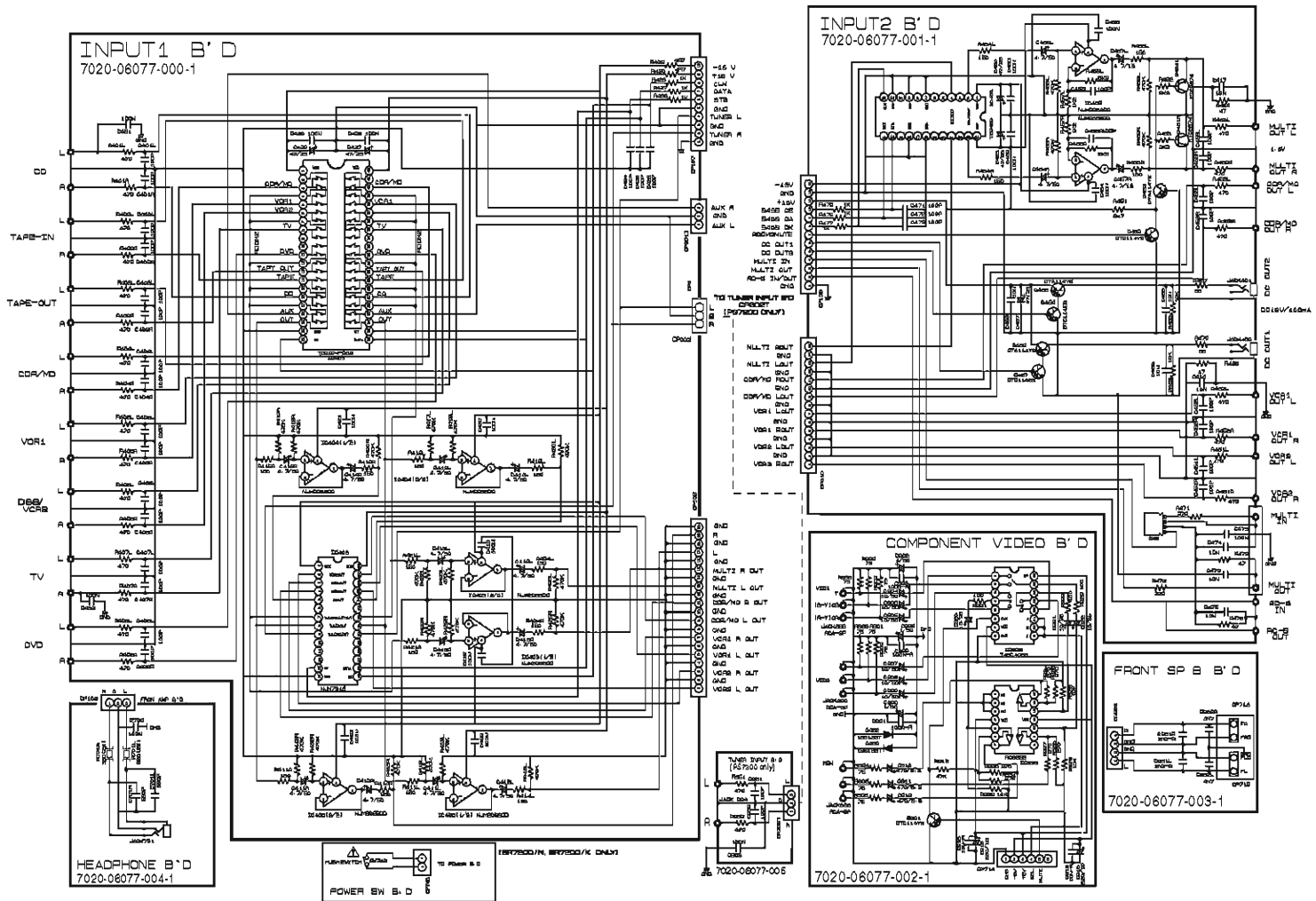
4. SCHEMATIC DIAGRAM





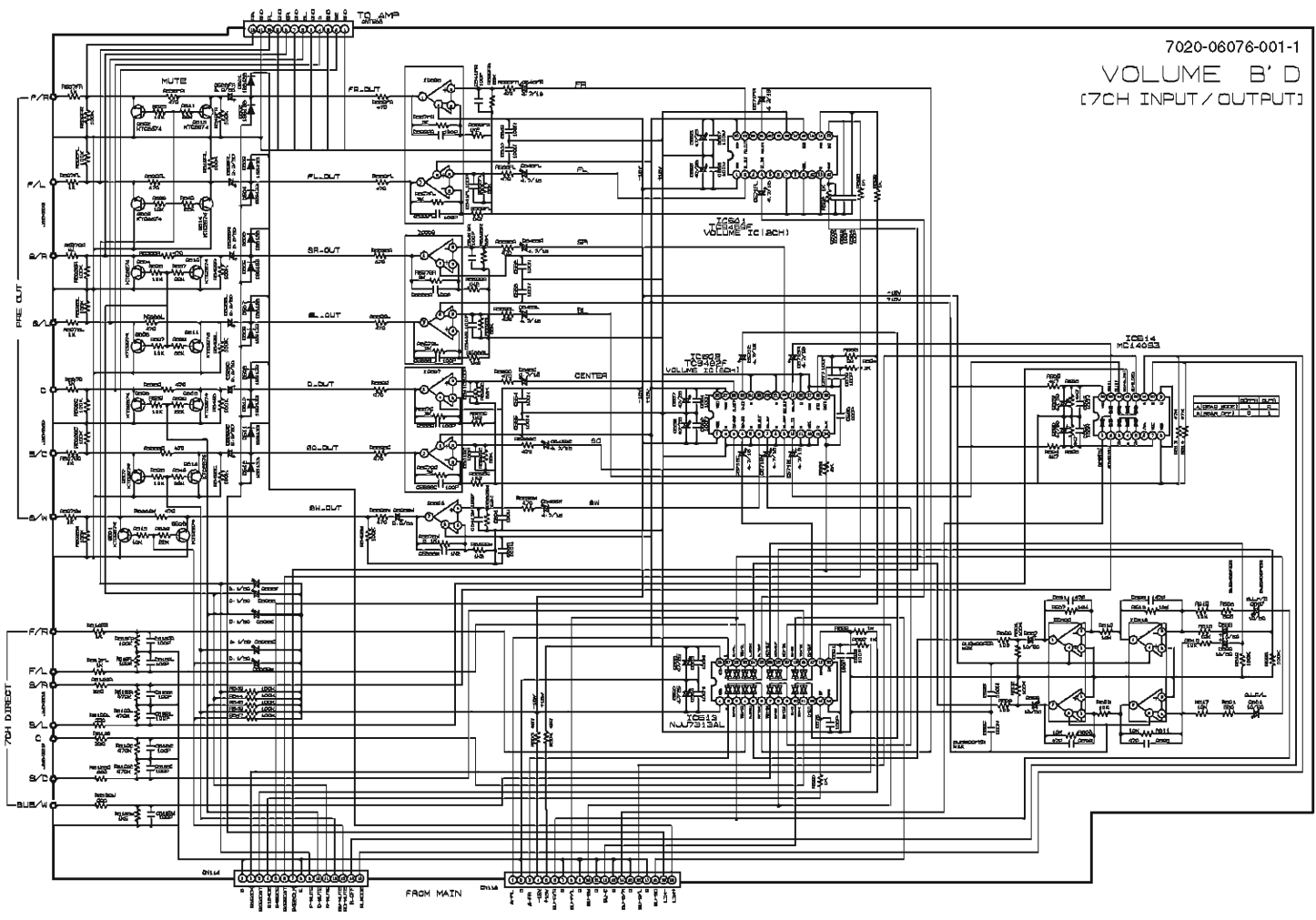


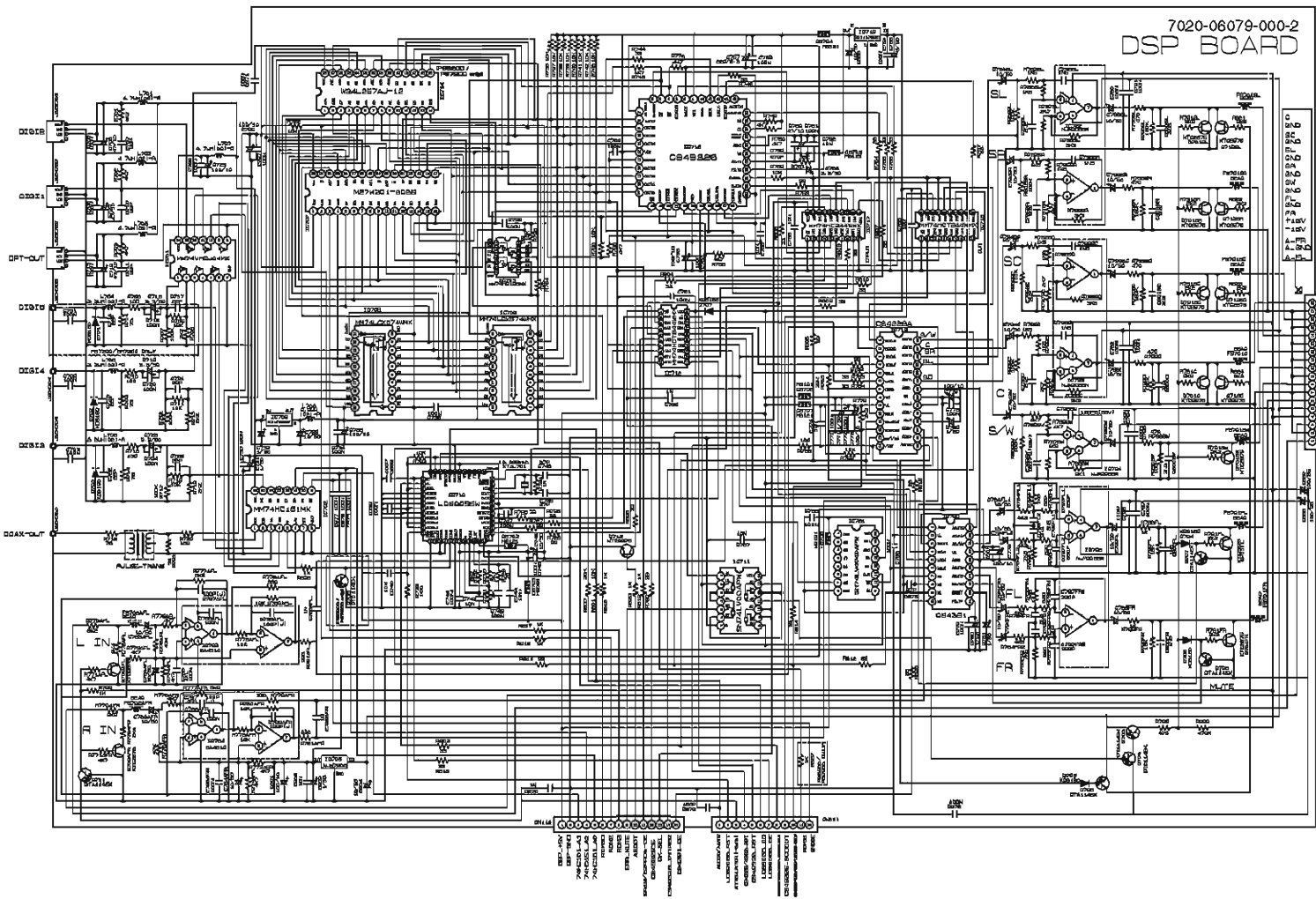




7020-06076-001-1

VOLUME B' D  
(7CH INPUT/OUTPUT)

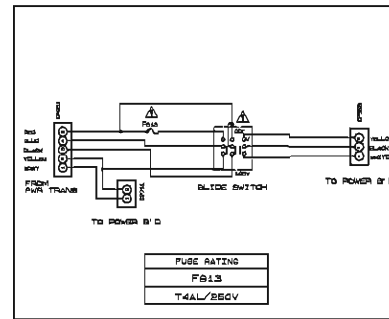
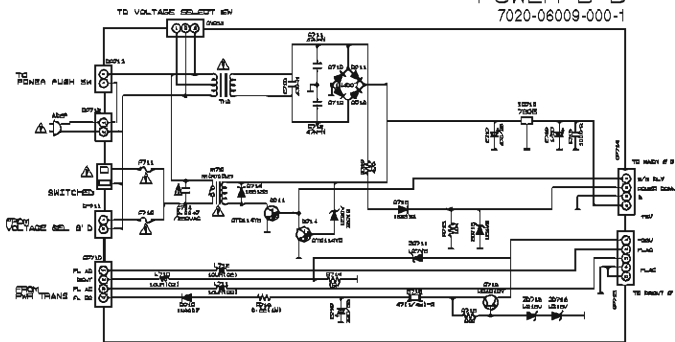




[/K ONLY]

POWER B' D  
7020-06009-000-1

VOLTAGE SEL B' D  
7020-06106-001-0



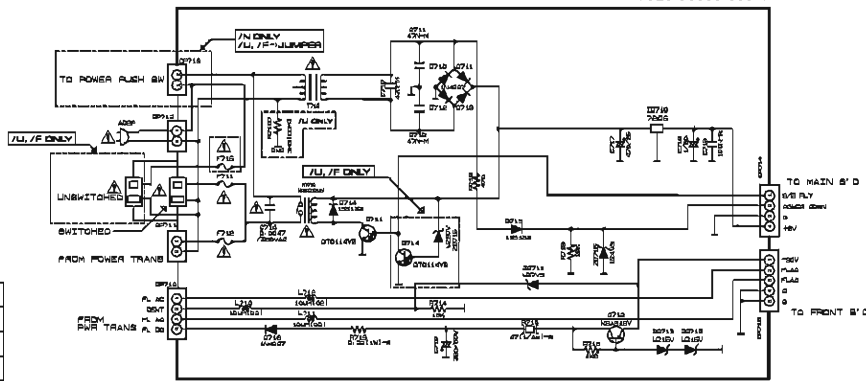
| FUSE RATING |             |
|-------------|-------------|
| F711        | F718        |
| T8. 6A/250V | T6. 3A/250V |

| FUSE RATING |          |
|-------------|----------|
| F613        | T4A/250V |

NOTES  
1. Resistor values are indicated in ohms unless otherwise specified (K=1,000 M=1,000,000)  
2. Capacitor values are indicated in microfarads unless otherwise specified (microfarads)  
3. These Resistor are to be assigned from printed wiring board or other accessible parts.  
CAUTION  
Safety Precaution to be followed during servicing:  
1. Before working on this unit, disconnect the power supply and remove the fuses.  
2. Before working on the unit, be sure the power supply is disconnected from the supply circuit.

[/N, /U, /F ONLY]

POWER B' D  
7020-06088-000-1

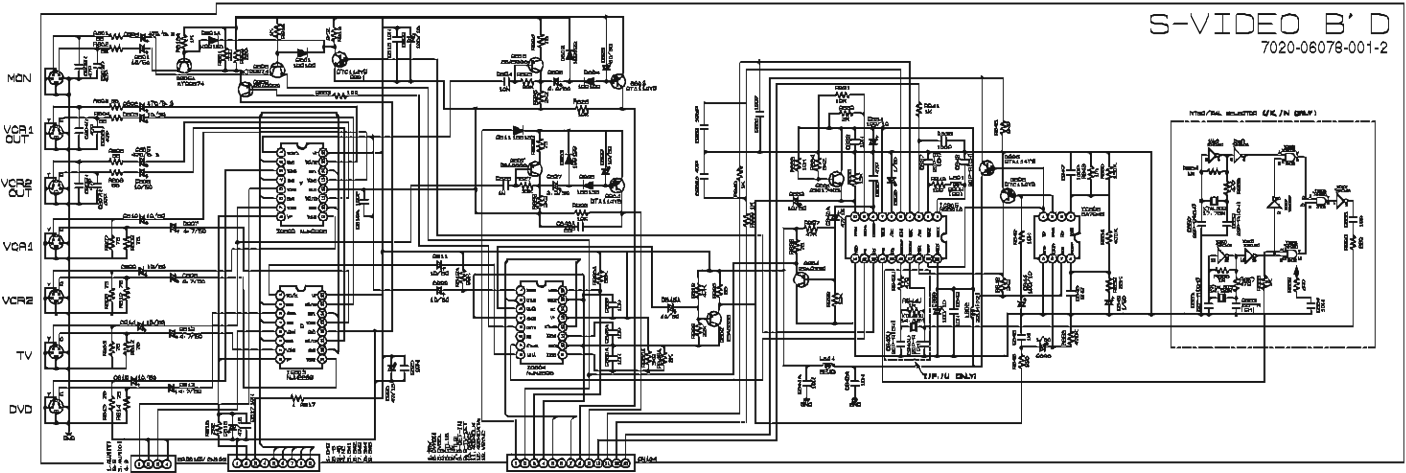


|      | EUROPE [/N] | U.S. A. / U / JAPAN [/F] |
|------|-------------|--------------------------|
| F711 | T8. 6A/250V | S8. 6A/250V              |
| F718 | T8. 2A/250V | S8A/250V                 |
| F719 |             | S8. 6A/250V              |

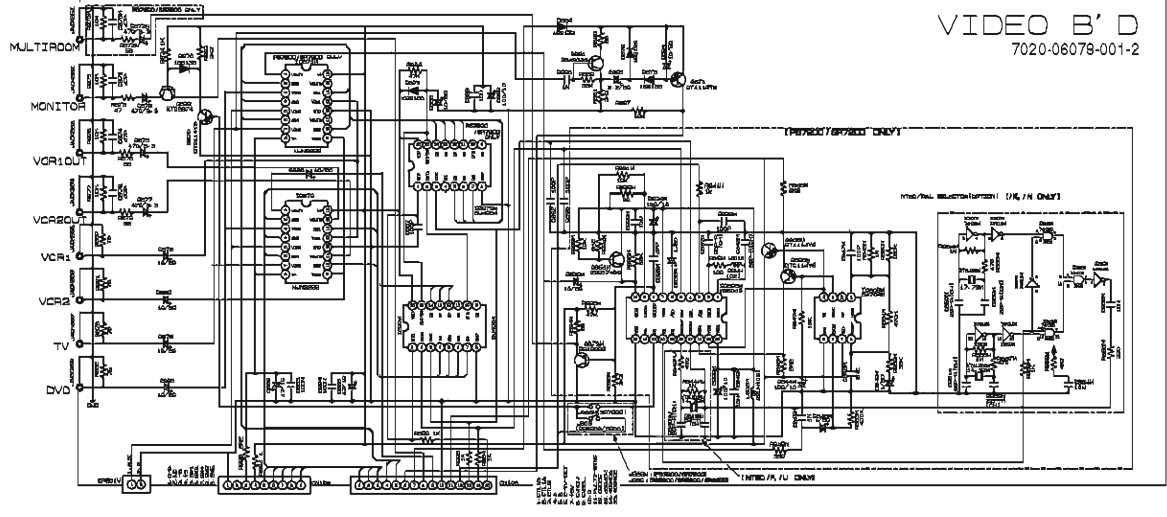
NOTES  
1. Resistor values are indicated in ohms unless otherwise specified (K=1,000 M=1,000,000)  
2. Capacitor values are indicated in microfarads unless otherwise specified (microfarads)  
3. These Resistor are to be assigned from printed wiring board or other accessible parts.  
CAUTION  
Safety Precaution to be followed during servicing:  
1. Before working on this unit, disconnect the power supply and remove the fuses.  
2. Before working on the unit, be sure the power supply is disconnected from the supply circuit.

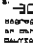


S-VIDEO B' D  
7020-06078-001-2

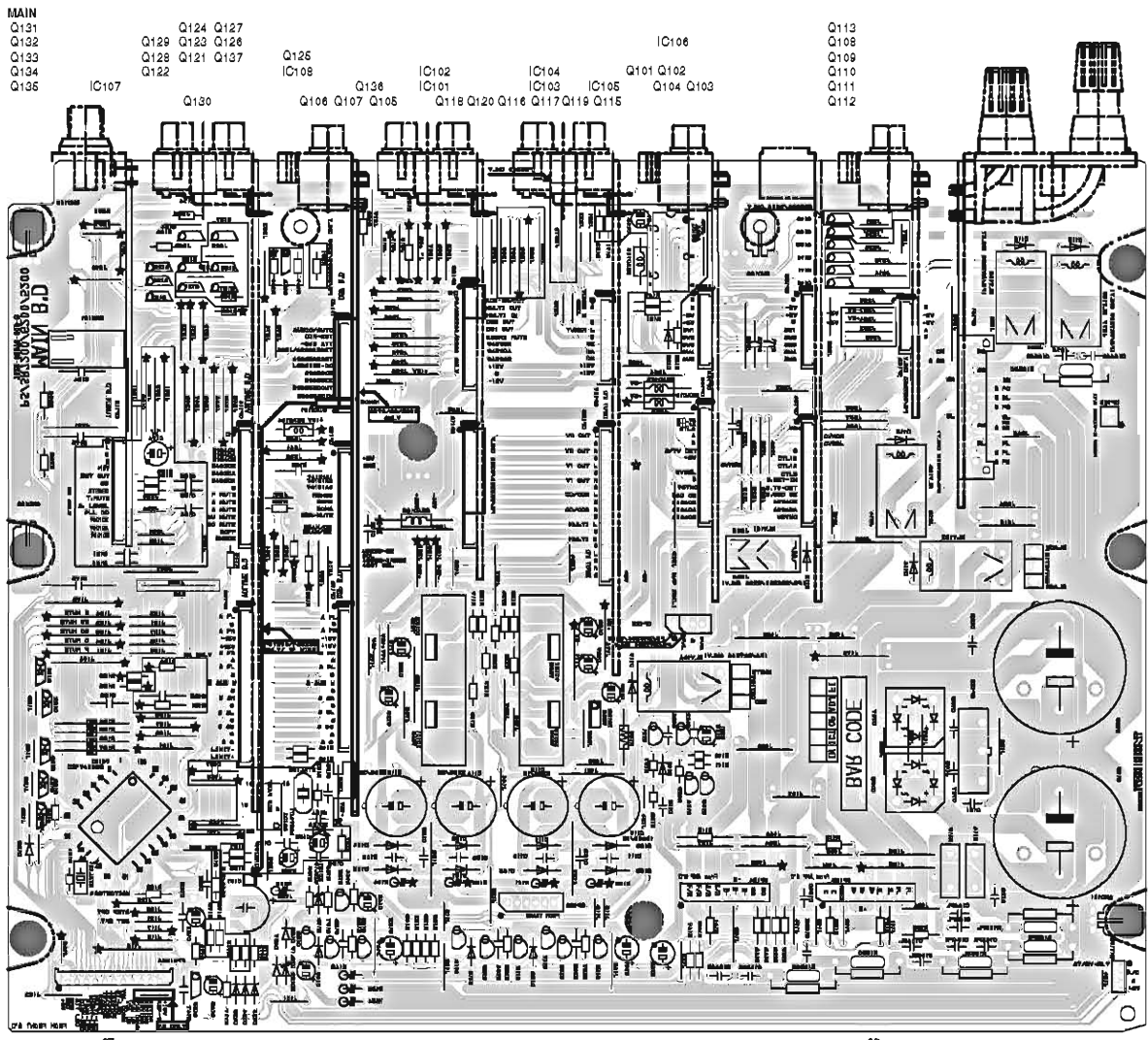


VIDEO B' D  
7020-06078-001-2



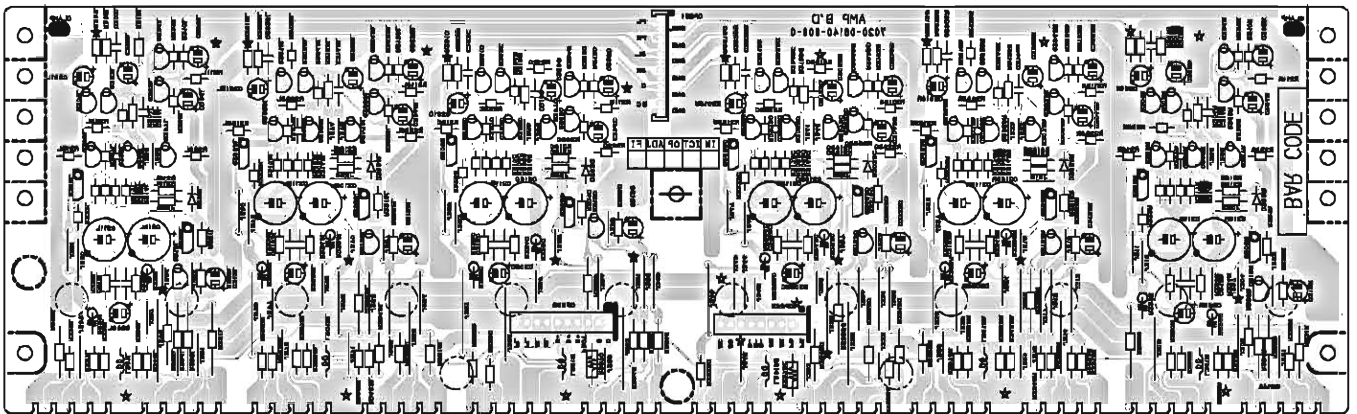
NOTES  
 1. Resistor values are indicated in ohms unless otherwise specified (K=1,000 M=1,000,000)  
 2. Capacitor values are indicated in microfarads unless otherwise specified (p=picofarads)  
 3.  These resistors are to be bypassed from printed wiring board on other substitute parts.  
**CAUTION**  
 During production to be followed during servicing:  
 1. Solder bridge parts marked with this symbol are not to be used unless they are marked with the word "CUSTOMER".  
 2. Solder bridge parts marked with this symbol are not to be used unless they are marked with the word "CUSTOMER".  
 3. Solder bridge parts marked with this symbol are not to be used unless they are marked with the word "CUSTOMER".  
 4. Solder bridge parts marked with this symbol are not to be used unless they are marked with the word "CUSTOMER".

5. PARTS LOCATION

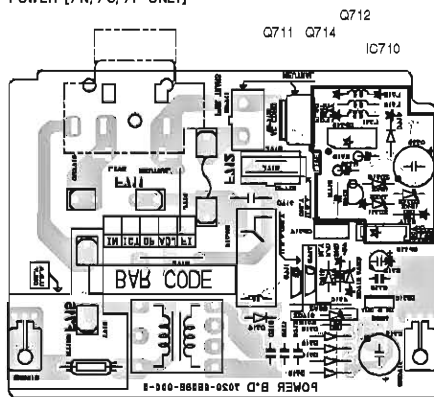


AMP

|       |       |       |       |        |        |        |        |       |       |       |        |        |        |        |        |        |       |       |       |
|-------|-------|-------|-------|--------|--------|--------|--------|-------|-------|-------|--------|--------|--------|--------|--------|--------|-------|-------|-------|
| Q201L | Q202L | Q203L | Q204L | Q201SL | Q202SL | Q203SL | Q204SL | Q201C | Q202C | Q204C | Q201SC | Q202SC | Q204SC | Q201SR | Q202SR | Q204SR | Q201R | Q202R | Q204R |
| Q205L | Q206L | Q207L | Q208L | Q205SL | Q206SL | Q207SL | Q208SL | Q205C | Q206C | Q207C | Q205SC | Q206SC | Q207SC | Q205SR | Q206SR | Q207SR | Q205R | Q206R | Q207R |
| Q209L |       |       |       | Q209SL |        |        |        | Q209C |       |       | Q209SC |        |        | Q209SR |        |        | Q209R |       |       |
|       | Q208L |       |       | Q208SL |        |        |        | Q208C |       |       | Q208SC |        |        | Q208SR |        |        | Q208R |       |       |
|       | Q215L |       |       | Q215SL |        |        |        | Q215C |       |       | Q215SC |        |        | Q215SR |        |        | Q215R |       |       |



POWER [/N, /U, /F ONLY]



POWER B.D. 1050-8898-020-1

|     |         |     |
|-----|---------|-----|
| REV | DATE    | BY  |
| 1   | 12-5-71 | 257 |
| 2   | 12-5-71 | 257 |
| 3   | 12-5-71 | 257 |

FRONT

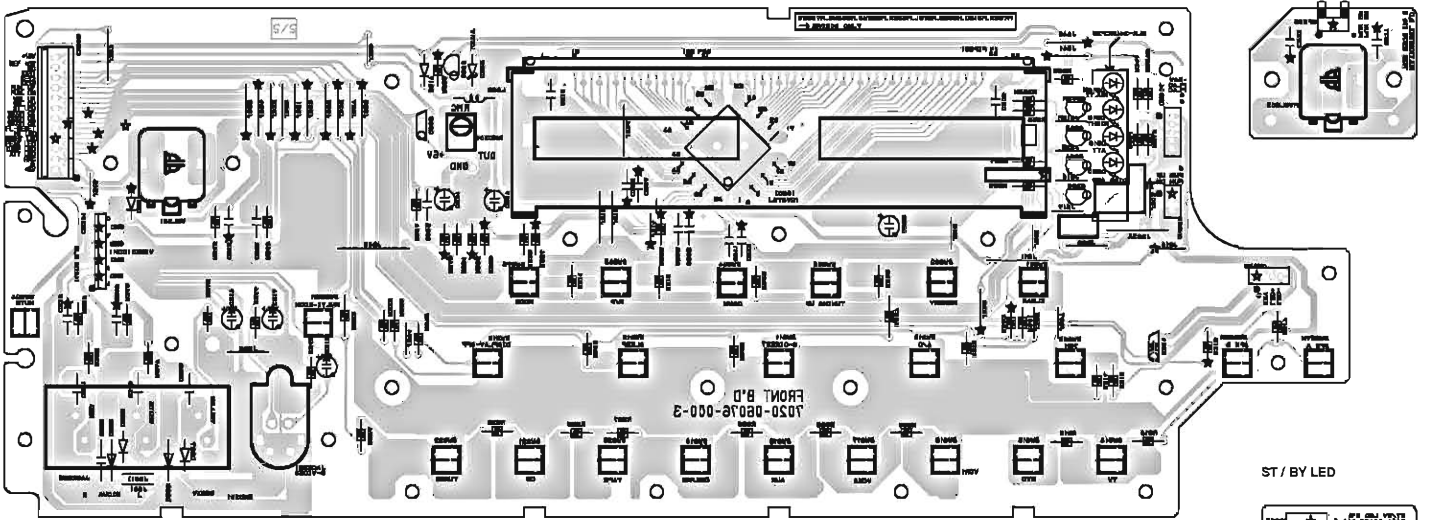
Q309  
Q302

IC301

Q303M  
Q305  
Q304  
Q306

Q301

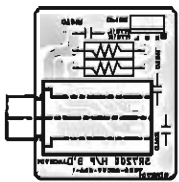
MULTICONTROL



ST / BY LED

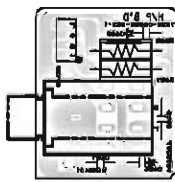


H / P



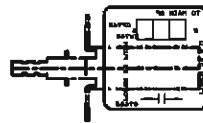
PS7200  
SR7200

H / P



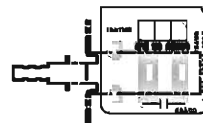
PS5200  
SR5200  
SR6200

POWER SW



SR7200 / K  
SR7200 / N

POWER SW



SR5200 / K  
SR5200 / N  
SR6200 / K  
SR6200 / N

POWER SW



PS5200 / F  
PS7200 / F  
SR8200 / U  
SR6200 / U  
SR7200 / U

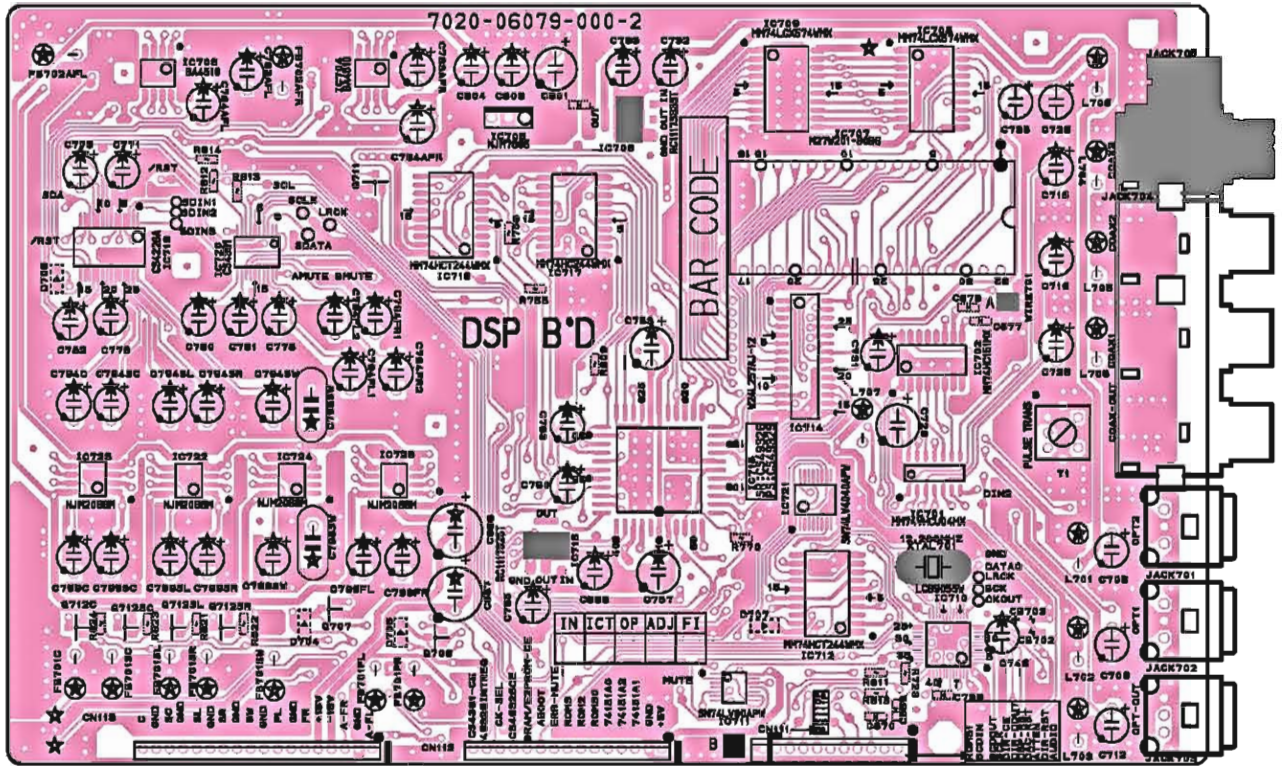




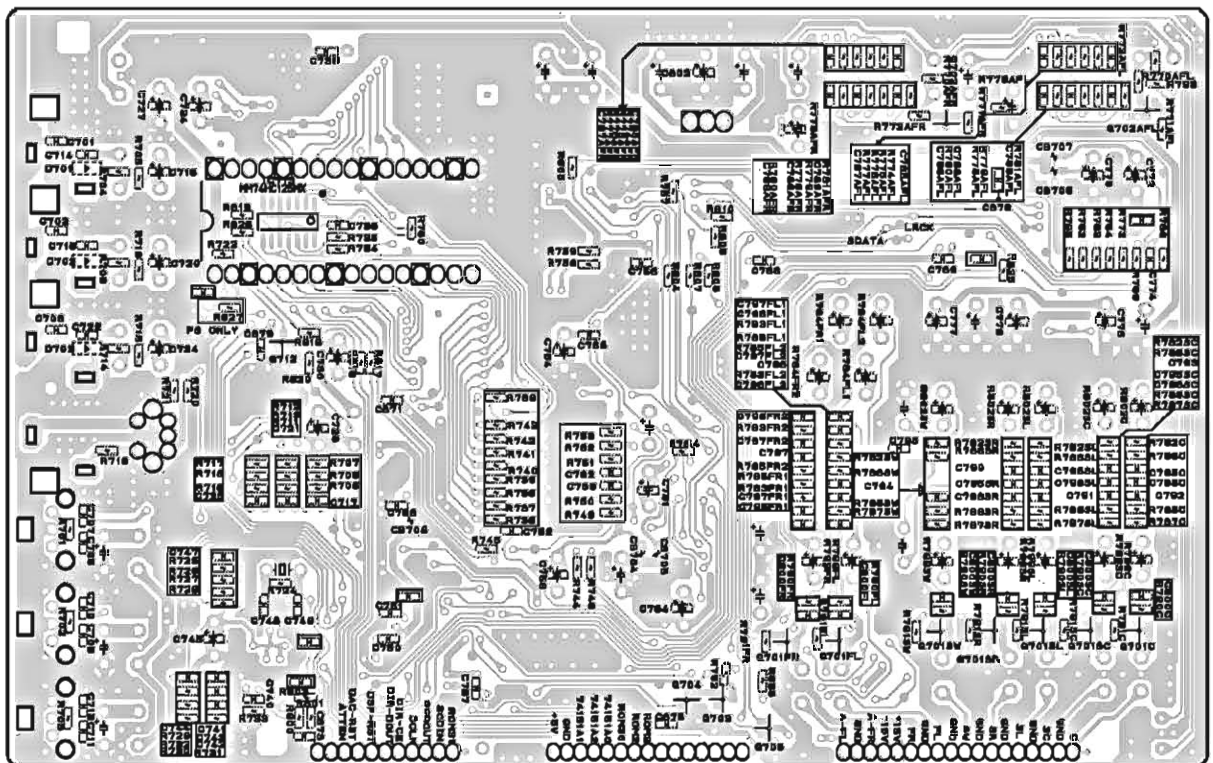


DSP

|                                      |       |            |       |       |
|--------------------------------------|-------|------------|-------|-------|
| IC703                                | IC704 | Q712       | IC709 | IC708 |
| IC719                                | IC720 | Q711 IC718 | IC714 | IC707 |
| IC723 IC722 IC724 IC725              | IC715 | IC721      | IC702 | IC701 |
| Q712C Q712SC Q712SL Q712SR Q707 Q708 | IC711 | IC712      | IC710 |       |



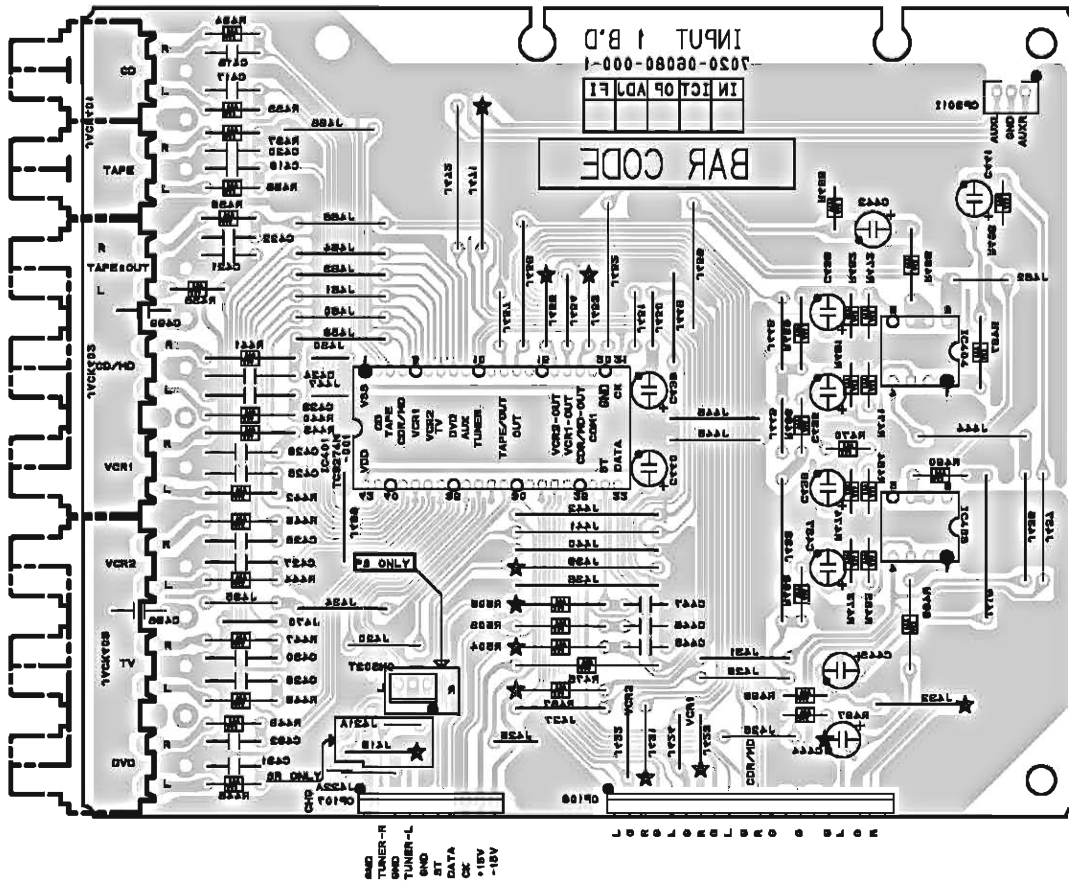
|       |   |         |
|-------|---|---------|
| IC713 | Q702AFR   | Q702AFL |
| Q712  | Q701FR Q701FL Q701SW Q701SR Q701SL Q701SC Q701C |         |
|       | Q704  | Q703    |
|       |   | Q705    |



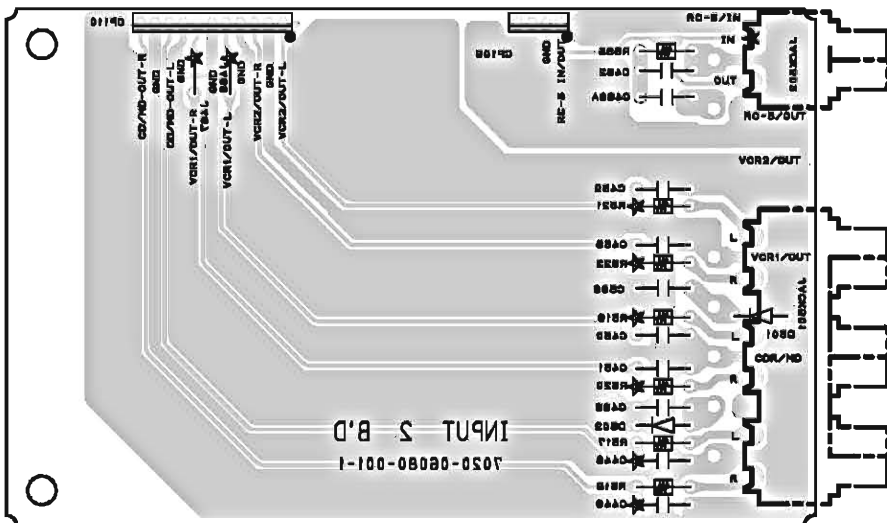
INPUT 1

IC401

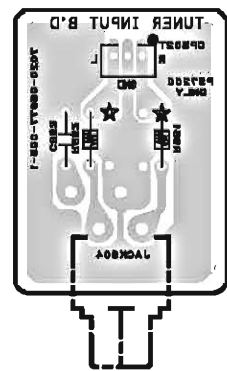
IC404  
IC403



INPUT 2



TUNER INPUT



[ PS5200 ONLY ]



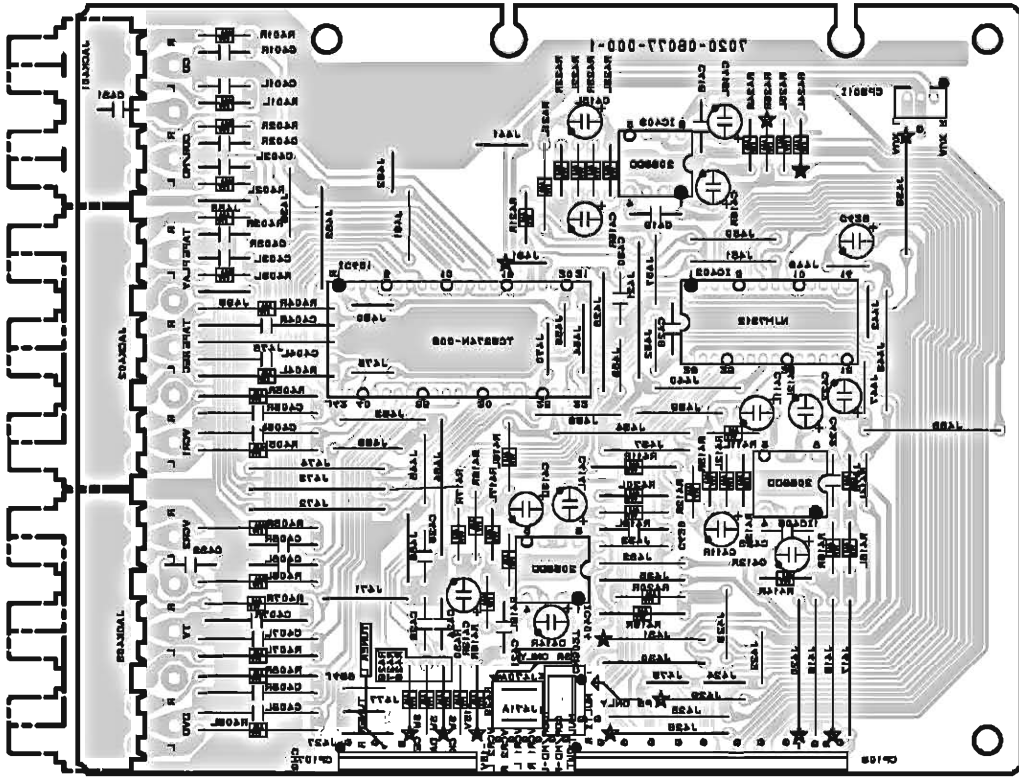
INPUT 1

IC401

IC403

IC402

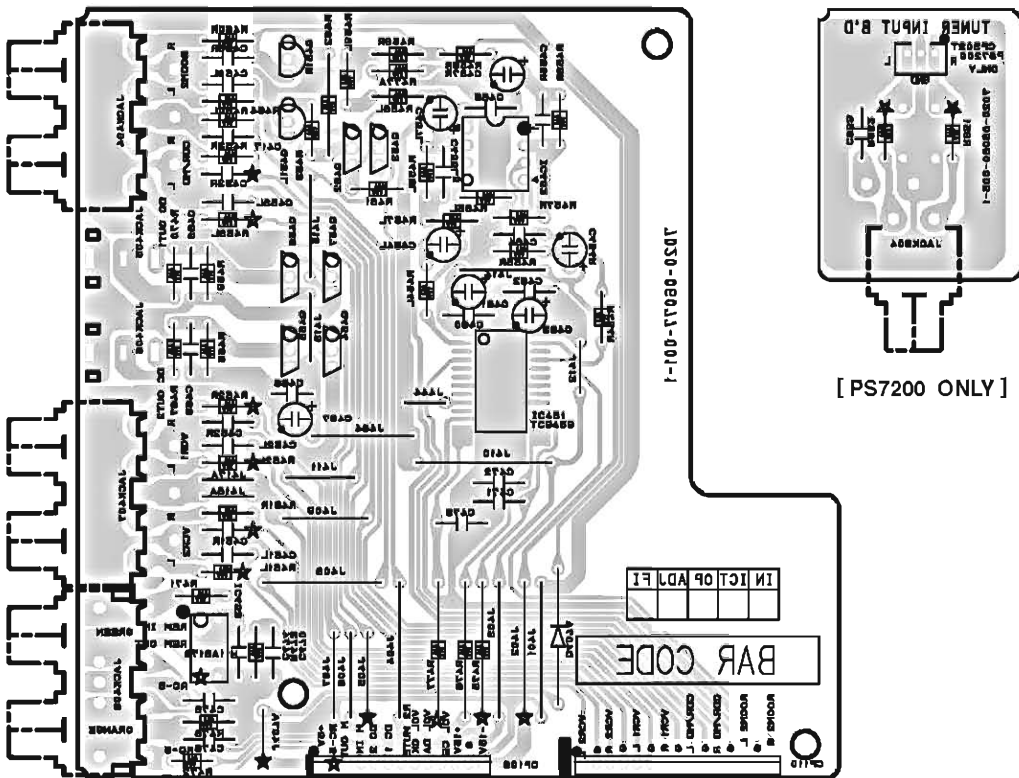
IC404



INPUT 2

Q451R  
 Q451L Q452 Q453 IC452  
 Q458 Q457  
 Q455 Q454 IC451

TUNER INPUT

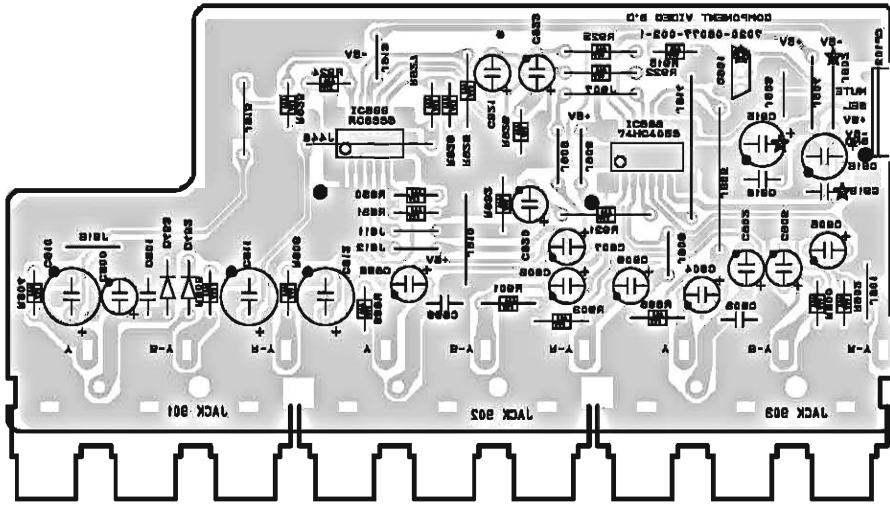


COMPONENT VIDEO [ PS7200 / SR7200 ONLY ]

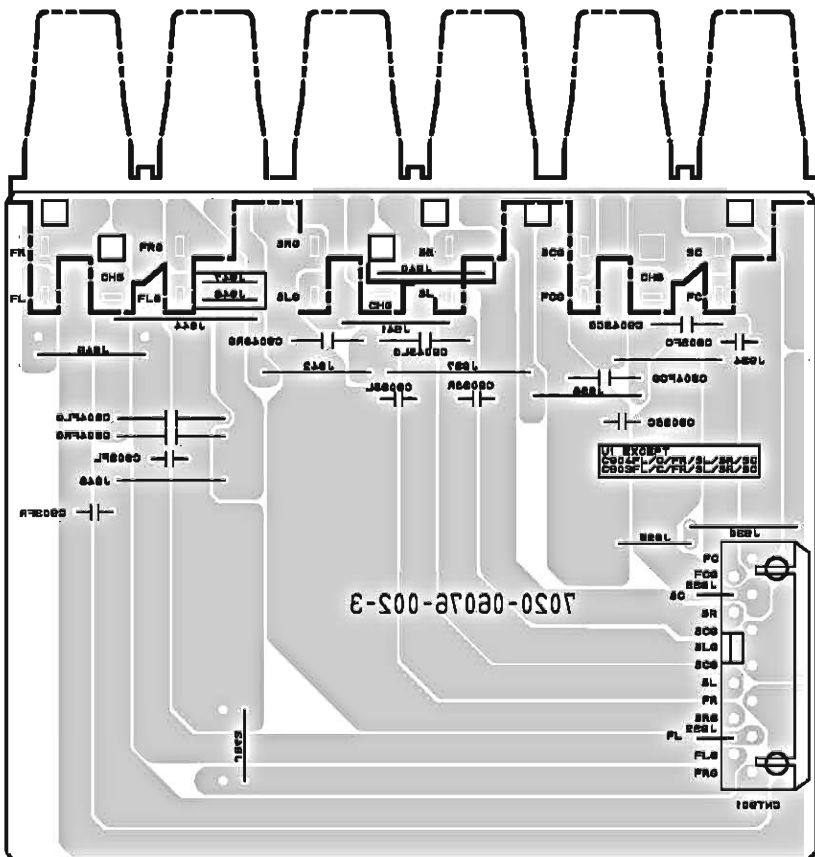
IC899

IC898

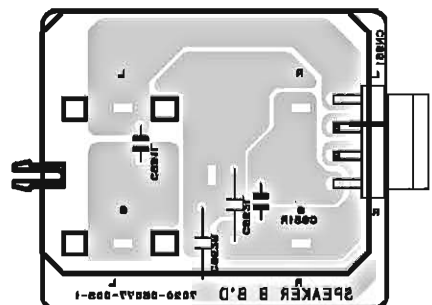
Q901



SPEAKER A



SPEAKER B  
[ PS7200 / SR7200 ONLY ]



VIDEO

Q873M

Q822 Q870

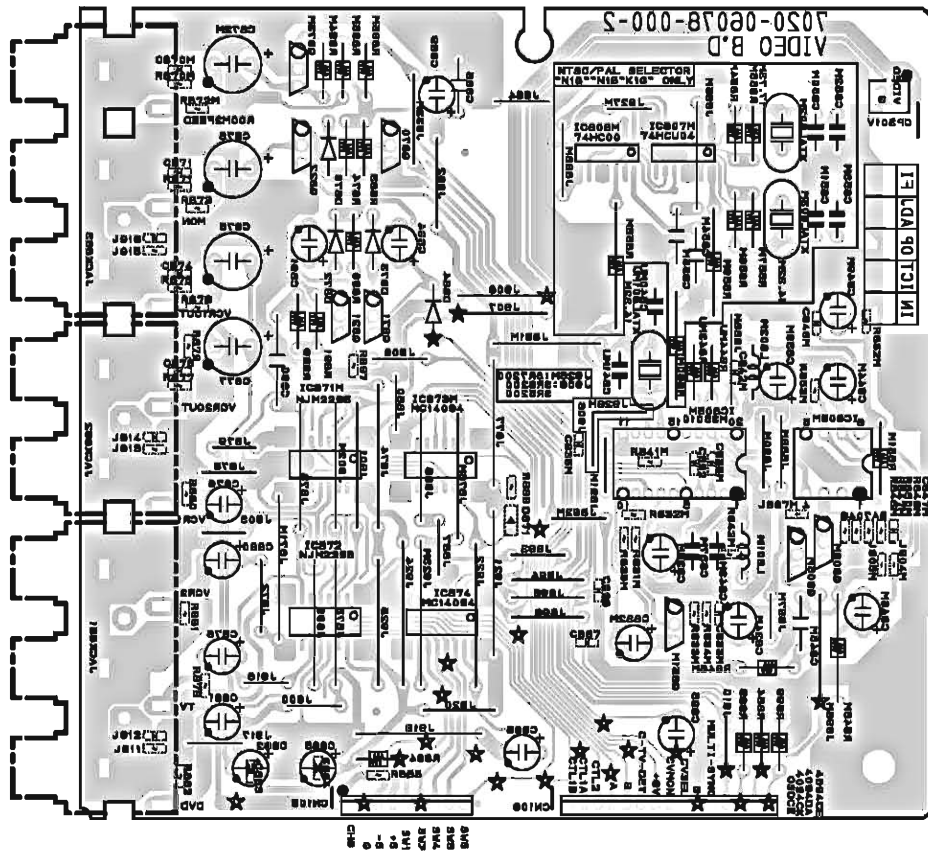
Q821 Q871

IC805M

IC806M

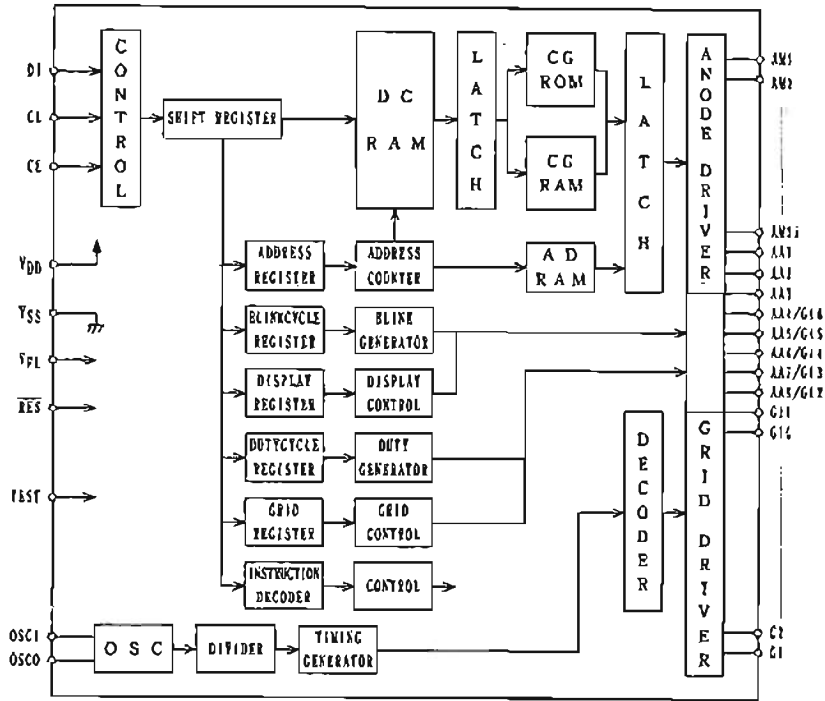
Q805M Q806M

Q851M

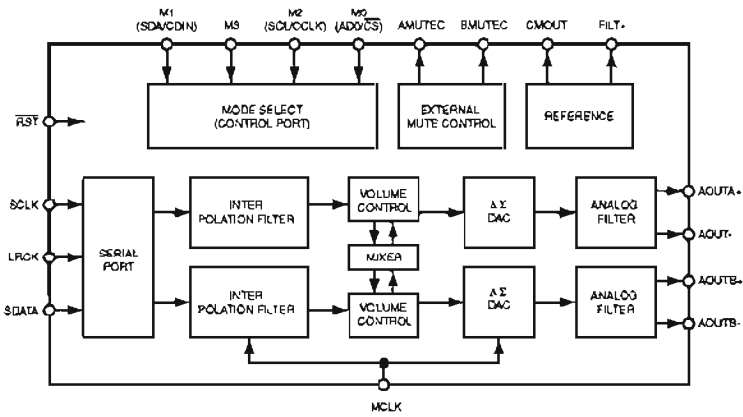


6. IC DATA

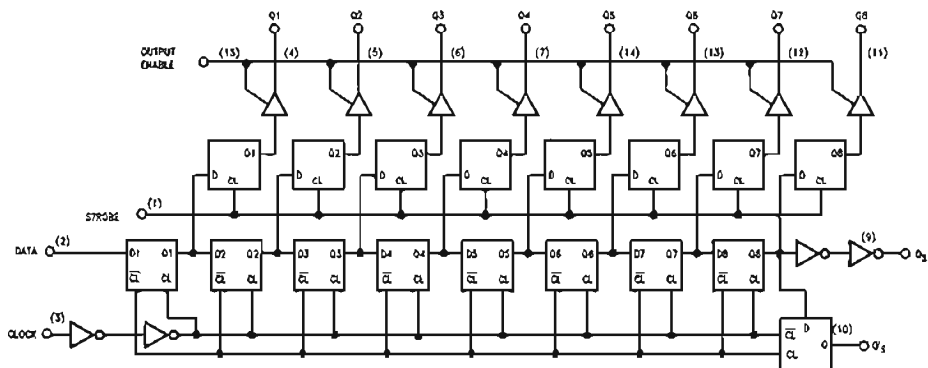
IC301 LC7521E



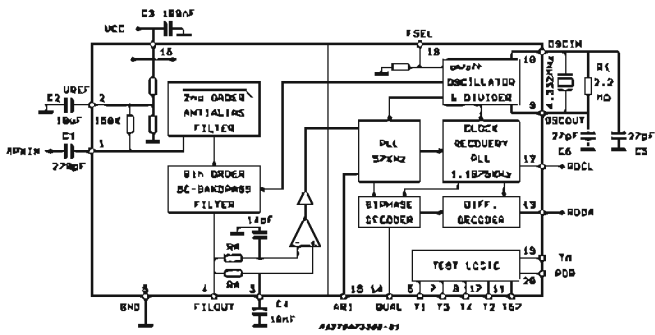
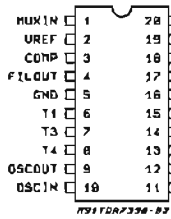
IC720 CS4391



IC106 CD4094BC



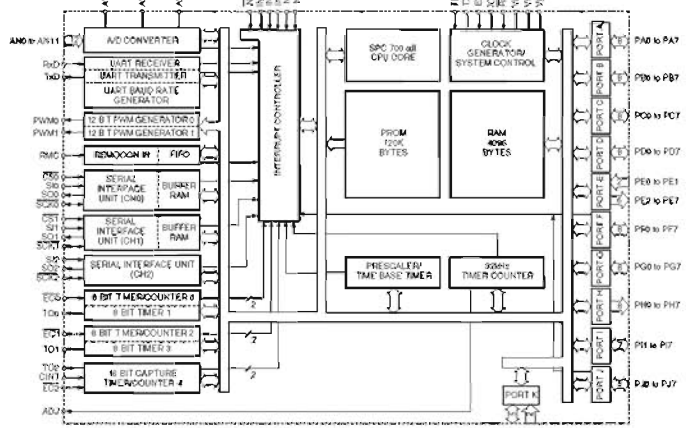
IC108 TDA7330



PIN FUNCTION

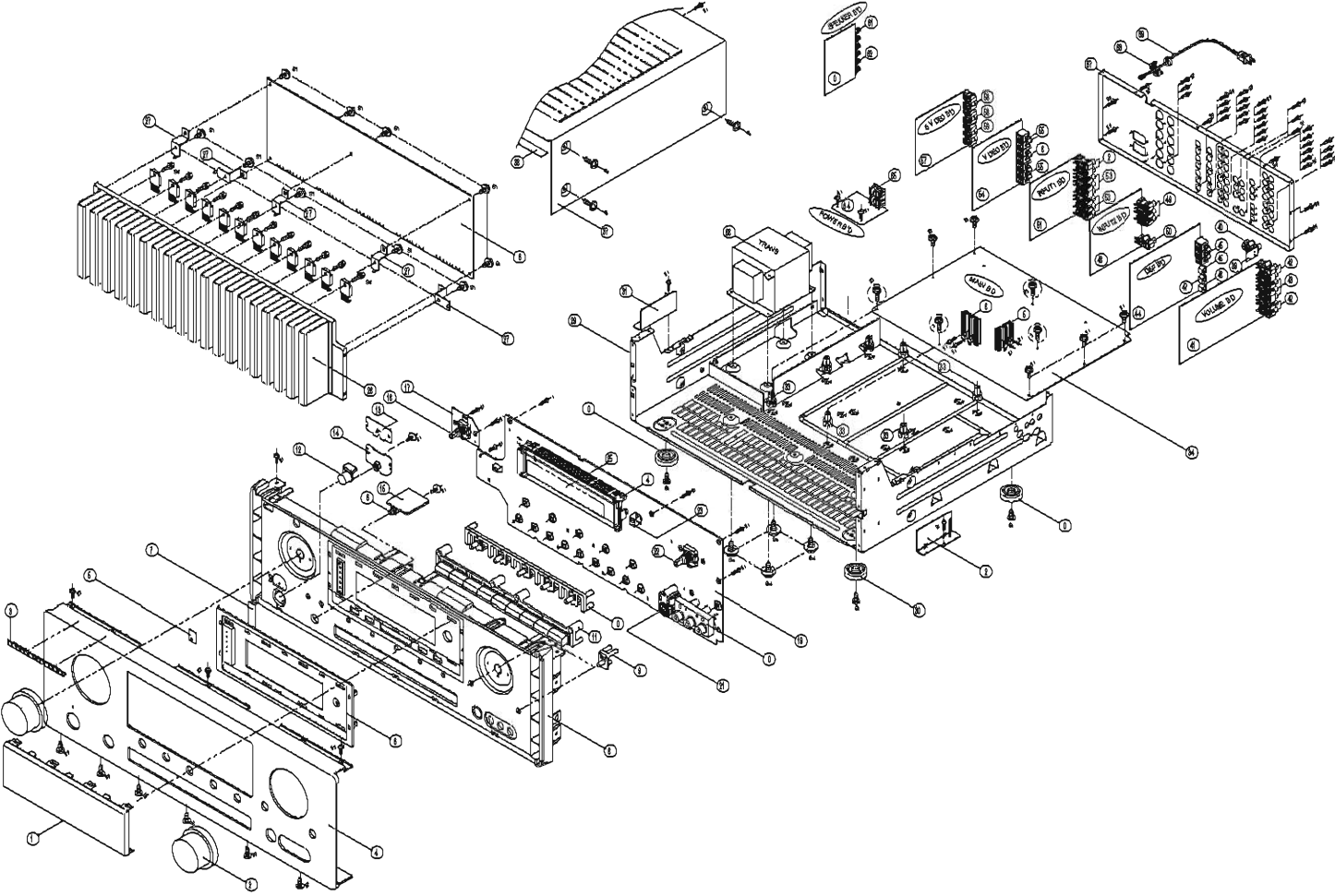
| Nr. | Name    | Description  |
|-----|---------|--|
| 1   | MUX IN  | RDS input signal   |
| 2   | UREF    | Reference voltage  |
| 3   | COMP    | Not inverting comparator input (smoothing filter)  |
| 4   | FILCOUT | Filter Output  |
| 5   | GND     | Ground   |
| 6   | T1      | Testing output pin (not to be used)  |
| 7   | T3      | Testing output pin (not to be used)  |
| 8   | T4      | Testing output pin (not to be used)  |
| 9   | OSC OUT | Oscillator output  |
| 10  | OSC IN  | Oscillator Input   |
| 11  | TS7     | Testing output pin: 57KHz clock output   |
| 12  | RDCL    | RDS clock output (1187.5Hz)  |
| 13  | RODA    | RDS data output  |
| 14  | QUAL    | Output for signal quality indication (High = good)   |
| 15  | ARI     | Output for ARI indication (High when RDS + ARI signals are present) (High when only ARI is present) (Low when only RDS is present) (Undefined when no signal is present) |
| 16  | Vcc     | Supply Voltage   |
| 17  | T2      | Testing output pin (not to be used)  |
| 18  | FSEL    | Frequency selector pin: open = 4.332MHz, closed to Vcc = 5.664MHz  |
| 19  | TM      | Test mode pin (open = normal RUN) (closed to Vcc = Test mode)  |
| 20  | POR     | Reset Input for testing (active high)  |

IC107 CXP740095



| Pin No. | Pin Name | Device Pin No. | IOCT | MODE | ACTV LEVEL | PULL UP | PULL DN | Pin No. | Pin Name | Device Pin No. | IOCT | MODE | ACTV LEVEL | PULL UP | PULL DN |
|---------|----------|----------------|------|------|------------|---------|---------|---------|----------|----------------|------|------|------------|---------|---------|
| 1       | RST      | 1              | IO   | O    | 0          |         |         | 1       | RST      | 1              | IO   | O    | 0          |         |         |
| 2       | NRST     | 2              | IO   | O    | 0          |         |         | 2       | NRST     | 2              | IO   | O    | 0          |         |         |
| 3       | NRST     | 3              | IO   | O    | 0          |         |         | 3       | NRST     | 3              | IO   | O    | 0          |         |         |
| 4       | NRST     | 4              | IO   | O    | 0          |         |         | 4       | NRST     | 4              | IO   | O    | 0          |         |         |
| 5       | NRST     | 5              | IO   | O    | 0          |         |         | 5       | NRST     | 5              | IO   | O    | 0          |         |         |
| 6       | NRST     | 6              | IO   | O    | 0          |         |         | 6       | NRST     | 6              | IO   | O    | 0          |         |         |
| 7       | NRST     | 7              | IO   | O    | 0          |         |         | 7       | NRST     | 7              | IO   | O    | 0          |         |         |
| 8       | NRST     | 8              | IO   | O    | 0          |         |         | 8       | NRST     | 8              | IO   | O    | 0          |         |         |
| 9       | NRST     | 9              | IO   | O    | 0          |         |         | 9       | NRST     | 9              | IO   | O    | 0          |         |         |
| 10      | NRST     | 10             | IO   | O    | 0          |         |         | 10      | NRST     | 10             | IO   | O    | 0          |         |         |
| 11      | NRST     | 11             | IO   | O    | 0          |         |         | 11      | NRST     | 11             | IO   | O    | 0          |         |         |
| 12      | NRST     | 12             | IO   | O    | 0          |         |         | 12      | NRST     | 12             | IO   | O    | 0          |         |         |
| 13      | NRST     | 13             | IO   | O    | 0          |         |         | 13      | NRST     | 13             | IO   | O    | 0          |         |         |
| 14      | NRST     | 14             | IO   | O    | 0          |         |         | 14      | NRST     | 14             | IO   | O    | 0          |         |         |
| 15      | NRST     | 15             | IO   | O    | 0          |         |         | 15      | NRST     | 15             | IO   | O    | 0          |         |         |
| 16      | NRST     | 16             | IO   | O    | 0          |         |         | 16      | NRST     | 16             | IO   | O    | 0          |         |         |
| 17      | NRST     | 17             | IO   | O    | 0          |         |         | 17      | NRST     | 17             | IO   | O    | 0          |         |         |
| 18      | NRST     | 18             | IO   | O    | 0          |         |         | 18      | NRST     | 18             | IO   | O    | 0          |         |         |
| 19      | NRST     | 19             | IO   | O    | 0          |         |         | 19      | NRST     | 19             | IO   | O    | 0          |         |         |
| 20      | NRST     | 20             | IO   | O    | 0          |         |         | 20      | NRST     | 20             | IO   | O    | 0          |         |         |
| 21      | NRST     | 21             | IO   | O    | 0          |         |         | 21      | NRST     | 21             | IO   | O    | 0          |         |         |
| 22      | NRST     | 22             | IO   | O    | 0          |         |         | 22      | NRST     | 22             | IO   | O    | 0          |         |         |
| 23      | NRST     | 23             | IO   | O    | 0          |         |         | 23      | NRST     | 23             | IO   | O    | 0          |         |         |
| 24      | NRST     | 24             | IO   | O    | 0          |         |         | 24      | NRST     | 24             | IO   | O    | 0          |         |         |
| 25      | NRST     | 25             | IO   | O    | 0          |         |         | 25      | NRST     | 25             | IO   | O    | 0          |         |         |
| 26      | NRST     | 26             | IO   | O    | 0          |         |         | 26      | NRST     | 26             | IO   | O    | 0          |         |         |
| 27      | NRST     | 27             | IO   | O    | 0          |         |         | 27      | NRST     | 27             | IO   | O    | 0          |         |         |
| 28      | NRST     | 28             | IO   | O    | 0          |         |         | 28      | NRST     | 28             | IO   | O    | 0          |         |         |
| 29      | NRST     | 29             | IO   | O    | 0          |         |         | 29      | NRST     | 29             | IO   | O    | 0          |         |         |
| 30      | NRST     | 30             | IO   | O    | 0          |         |         | 30      | NRST     | 30             | IO   | O    | 0          |         |         |
| 31      | NRST     | 31             | IO   | O    | 0          |         |         | 31      | NRST     | 31             | IO   | O    | 0          |         |         |
| 32      | NRST     | 32             | IO   | O    | 0          |         |         | 32      | NRST     | 32             | IO   | O    | 0          |         |         |
| 33      | NRST     | 33             | IO   | O    | 0          |         |         | 33      | NRST     | 33             | IO   | O    | 0          |         |         |
| 34      | NRST     | 34             | IO   | O    | 0          |         |         | 34      | NRST     | 34             | IO   | O    | 0          |         |         |
| 35      | NRST     | 35             | IO   | O    | 0          |         |         | 35      | NRST     | 35             | IO   | O    | 0          |         |         |
| 36      | NRST     | 36             | IO   | O    | 0          |         |         | 36      | NRST     | 36             | IO   | O    | 0          |         |         |
| 37      | NRST     | 37             | IO   | O    | 0          |         |         | 37      | NRST     | 37             | IO   | O    | 0          |         |         |
| 38      | NRST     | 38             | IO   | O    | 0          |         |         | 38      | NRST     | 38             | IO   | O    | 0          |         |         |
| 39      | NRST     | 39             | IO   | O    | 0          |         |         | 39      | NRST     | 39             | IO   | O    | 0          |         |         |
| 40      | NRST     | 40             | IO   | O    | 0          |         |         | 40      | NRST     | 40             | IO   | O    | 0          |         |         |
| 41      | NRST     | 41             | IO   | O    | 0          |         |         | 41      | NRST     | 41             | IO   | O    | 0          |         |         |
| 42      | NRST     | 42             | IO   | O    | 0          |         |         | 42      | NRST     | 42             | IO   | O    | 0          |         |         |
| 43      | NRST     | 43             | IO   | O    | 0          |         |         | 43      | NRST     | 43             | IO   | O    | 0          |         |         |
| 44      | NRST     | 44             | IO   | O    | 0          |         |         | 44      | NRST     | 44             | IO   | O    | 0          |         |         |
| 45      | NRST     | 45             | IO   | O    | 0          |         |         | 45      | NRST     | 45             | IO   | O    | 0          |         |         |
| 46      | NRST     | 46             | IO   | O    | 0          |         |         | 46      | NRST     | 46             | IO   | O    | 0          |         |         |
| 47      | NRST     | 47             | IO   | O    | 0          |         |         | 47      | NRST     | 47             | IO   | O    | 0          |         |         |
| 48      | NRST     | 48             | IO   | O    | 0          |         |         | 48      | NRST     | 48             | IO   | O    | 0          |         |         |
| 49      | NRST     | 49             | IO   | O    | 0          |         |         | 49      | NRST     | 49             | IO   | O    | 0          |         |         |
| 50      | NRST     | 50             | IO   | O    | 0          |         |         | 50      | NRST     | 50             | IO   | O    | 0          |         |         |
| 51      | NRST     | 51             | IO   | O    | 0          |         |         | 51      | NRST     | 51             | IO   | O    | 0          |         |         |
| 52      | NRST     | 52             | IO   | O    | 0          |         |         | 52      | NRST     | 52             | IO   | O    | 0          |         |         |
| 53      | NRST     | 53             | IO   | O    | 0          |         |         | 53      | NRST     | 53             | IO   | O    | 0          |         |         |
| 54      | NRST     | 54             | IO   | O    | 0          |         |         | 54      | NRST     | 54             | IO   | O    | 0          |         |         |
| 55      | NRST     | 55             | IO   | O    | 0          |         |         | 55      | NRST     | 55             | IO   | O    | 0          |         |         |
| 56      | NRST     | 56             | IO   | O    | 0          |         |         | 56      | NRST     | 56             | IO   | O    | 0          |         |         |
| 57      | NRST     | 57             | IO   | O    | 0          |         |         | 57      | NRST     | 57             | IO   | O    | 0          |         |         |
| 58      | NRST     | 58             | IO   | O    | 0          |         |         | 58      | NRST     | 58             | IO   | O    | 0          |         |         |
| 59      | NRST     | 59             | IO   | O    | 0          |         |         | 59      | NRST     | 59             | IO   | O    | 0          |         |         |
| 60      | NRST     | 60             | IO   | O    | 0          |         |         | 60      | NRST     | 60             | IO   | O    | 0          |         |         |
| 61      | NRST     | 61             | IO   | O    | 0          |         |         | 61      | NRST     | 61             | IO   | O    | 0          |         |         |
| 62      | NRST     | 62             | IO   | O    | 0          |         |         | 62      | NRST     | 62             | IO   | O    | 0          |         |         |
| 63      | NRST     | 63             | IO   | O    | 0          |         |         | 63      | NRST     | 63             | IO   | O    | 0          |         |         |
| 64      | NRST     | 64             | IO   | O    | 0          |         |         | 64      | NRST     | 64             | IO   | O    | 0          |         |         |
| 65      | NRST     | 65             | IO   | O    | 0          |         |         | 65      | NRST     | 65             | IO   | O    | 0          |         |         |
| 66      | NRST     | 66             | IO   | O    | 0          |         |         | 66      | NRST     | 66             | IO   | O    | 0          |         |         |
| 67      | NRST     | 67             | IO   | O    | 0          |         |         | 67      | NRST     | 67             | IO   | O    | 0          |         |         |
| 68      | NRST     | 68             | IO   | O    | 0          |         |         | 68      | NRST     | 68             | IO   | O    | 0          |         |         |
| 69      | NRST     | 69             | IO   | O    | 0          |         |         | 69      | NRST     | 69             | IO   | O    | 0          |         |         |
| 70      | NRST     | 70             | IO   | O    | 0          |         |         | 70      | NRST     | 70             | IO   | O    | 0          |         |         |
| 71      | NRST     | 71             | IO   | O    | 0          |         |         | 71      | NRST     | 71             | IO   | O    | 0          |         |         |
| 72      | NRST     | 72             | IO   | O    | 0          |         |         | 72      | NRST     | 72             | IO   | O    | 0          |         |         |
| 73      | NRST     | 73             | IO   | O    | 0          |         |         | 73      | NRST     | 73             | IO   | O    | 0          |         |         |
| 74      | NRST     | 74             | IO   | O    | 0          |         |         | 74      | NRST     | 74             | IO   | O    | 0          |         |         |
| 75      | NRST     | 75             | IO   | O    | 0          |         |         | 75      | NRST     | 75             | IO   | O    | 0          |         |         |
| 76      | NRST     | 76             | IO   | O    | 0          |         |         | 76      | NRST     | 76             | IO   | O    | 0          |         |         |
| 77      | NRST     | 77             | IO   | O    | 0          |         |         | 77      | NRST     | 77             | IO   | O    | 0          |         |         |
| 78      | NRST     | 78             | IO   | O    | 0          |         |         | 78      | NRST     | 78             | IO   | O    | 0          |         |         |
| 79      | NRST     | 79             | IO   | O    | 0          |         |         | 79      | NRST     | 79             | IO   | O    | 0          |         |         |
| 80      | NRST     | 80             | IO   | O    | 0          |         |         | 80      | NRST     | 80             | IO   | O    | 0          |         |         |
| 81      | NRST     | 81             | IO   | O    | 0          |         |         | 81      | NRST     | 81             | IO   | O    | 0          |         |         |
| 82      | NRST     | 82             | IO   | O    | 0          |         |         | 82      | NRST     | 82             | IO   | O    | 0          |         |         |
| 83      | NRST     | 83             | IO   | O    | 0          |         |         | 83      | NRST     | 83             | IO   | O    | 0          |         |         |
| 84      | NRST     | 84             | IO   | O    | 0          |         |         | 84      | NRST     | 84             | IO   | O    | 0          |         |         |
| 85      | NRST     | 85             | IO   | O    | 0          |         |         | 85      | NRST     | 85             | IO   | O    | 0          |         |         |
| 86      | NRST     | 86             | IO   | O    | 0          |         |         | 86      | NRST     | 86             | IO   | O    | 0          |         |         |
| 87      | NRST     | 87             | IO   | O    | 0          |         |         | 87      | NRST     | 87             | IO   | O    | 0          |         |         |
| 88      | NRST     | 88             | IO   | O    | 0          |         |         | 88      | NRST     | 88             | IO   | O    | 0          |         |         |
| 89      | NRST     | 89             | IO   | O    | 0          |         |         | 89      | NRST     | 89             | IO   | O    | 0          |         |         |
| 90      | NRST     | 90             | IO   | O    | 0          |         |         | 90      | NRST     | 90             | IO   | O    | 0          |         |         |
| 91      | NRST     | 91             | IO   | O    | 0          |         |         | 91      | NRST     | 91             | IO   | O    | 0          |         |         |
| 92      | NRST     | 92             | IO   | O    | 0          |         |         | 92      | NRST     | 92             | IO   | O    | 0          |         |         |
| 93      | NRST     | 93             | IO   | O    | 0          |         |         | 93      | NRST     | 93             | IO   | O    | 0          |         |         |
| 94      | NRST     | 94             | IO   | O    | 0          |         |         |         |          |                |      |      |            |         |         |

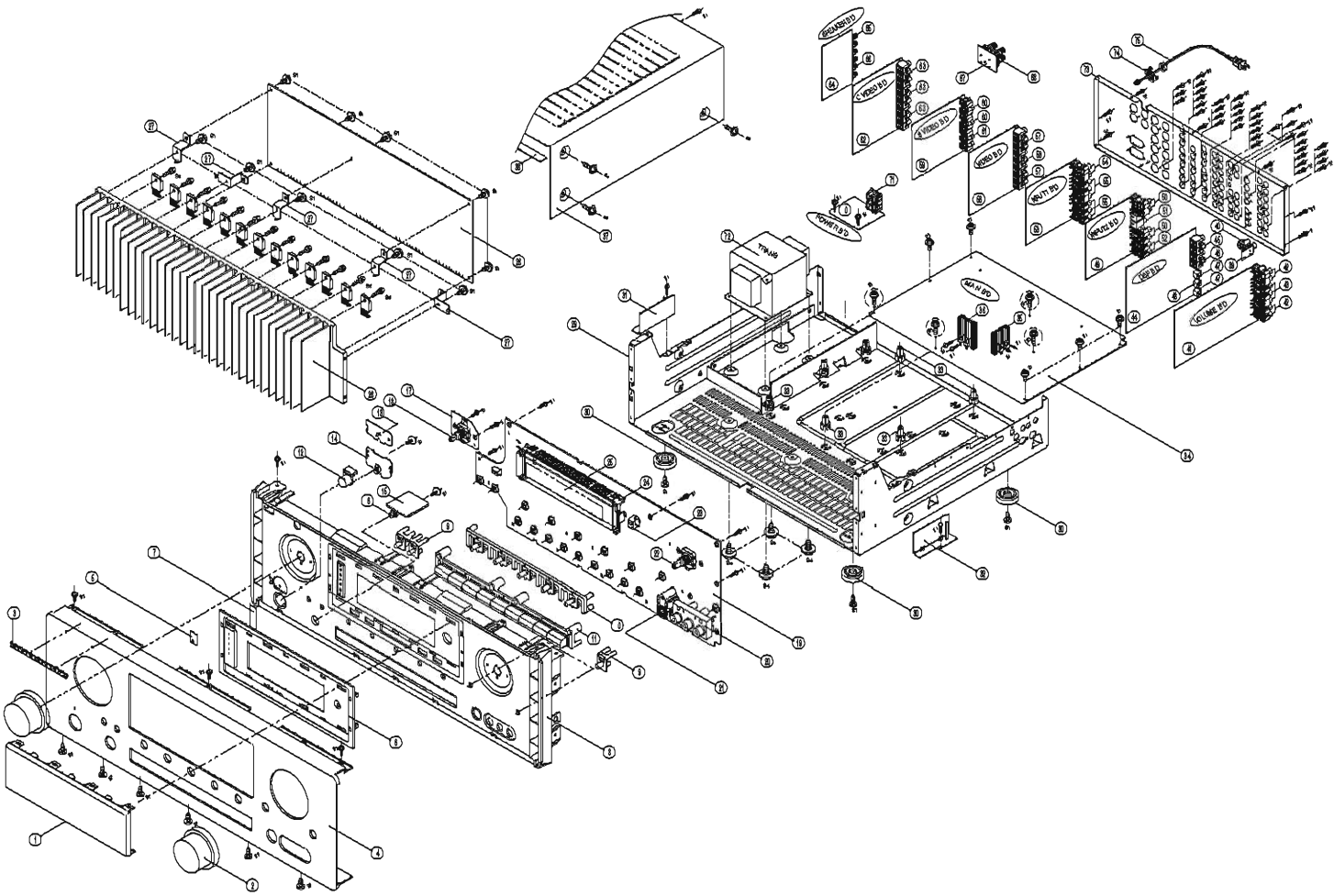
7. EXPLODED VIEW AND PARTS LIST  
 PS5200



PS5200

| POS. NO | VERS. COLOR | PART NO. (FOR P.C.S) | DESCRIPTION  | PART NO. (MUJ) | POS. NO | VERS. COLOR | PART NO. (FOR P.C.S)                        | DESCRIPTION   | PART NO. (MUJ) |
|---------|-------------|----------------------|--|----------------|---------|-------------|---|---------------|----------------|
| 1       |             |                      | WINDOW WINDOW FL                                     | 322W168220     | 02      |             |   | TER RCA 4PIN, | *YT001800R     |
| 2       |             |                      | KNOB VOLUME AL(GOLD)                                 | 313W154510     |         |             | CIN JACK JKD00480N                          |               |                |
| 3       |             |                      | BADGE(MARANTZ)                                       | 188W251010     | 03      |             | TER RCA 6PIN,                               | *YT002640R    |                |
| 4       |             |                      | PANEL FRONT AL(GOLD)                                 | 341W248010     |         |             | CIN JACK JK060048CN                         |               |                |
| 5       |             |                      | INDICATOR ACRYL MILK                                 | 322W365010     | 04      |             | P.C.B SUB ASSY,C-VIDEO                      | nsp           |                |
| 6       |             |                      | CAP FRONT(GOLD)                                      | 322W053120     | 05      |             | TER RCA 3PIN,                               | *YT002830R    |                |
| 7       |             |                      | FILTER COVER LED                                     | 322W303010     |         |             | CIN JACK JC030012FN                         |               |                |
| 8       |             |                      | PANEL FRONT MOLD(GOLD)                               | nsp            | 06      |             | TER RCA 2PIN,                               | *YT002810R    |                |
| 9       |             |                      | BUTTON MUTE(GOLD)                                    | 322W270140     |         |             | CIN JACK JC0200095N                         |               |                |
| 10      |             |                      | BUTTON SKEY(GOLD)                                    | 322W270160     | 07      |             | P.C.B SUB ASSY,S-VIDEO                      | nsp           |                |
| 11      |             |                      | BUTTON SKEY(GOLD)                                    | 322W270160     | 08      |             | JACK D6.5,                                  | *YT002640R    |                |
| 12      |             |                      | BUTTON POWER(GOLD)                                   | 322W270110     |         |             | JACK S-VIDEO YKF51 65 16                    |               |                |
| 13      |             |                      | P.C.B SUB ASSY, STAND-BY LED                         | nsp            | 09      |             | JACK D N,                                   | *YT002680R    |                |
| 14      |             |                      | P.C.B SUB ASSY,POWER SW                              | nsp            | 10      |             | JACK S-VIDEO YKF51 65 12                    | nsp           |                |
| 15      |             |                      | P.C.B SUB ASSY,HEADPHONE                             | nsp            | 11      |             | P.C.B SUB ASSY,SPEAKER                      | *YT001290R    |                |
| 16      |             |                      | P.C.B SUB ASSY,HEADPHONE                             | nsp            | 12      |             | TER BOARD SCREW 6P,                         |               |                |
| 17      |             |                      | HEAD PHONE JACK D6.5,HTJ064-068(S)                   | *YT002550R     | 13      |             | SPEAKER TERMINAL SH04 10380P                |               |                |
| 18      |             |                      | P.C.B SUB ASSY,CONTROL SW ENCODER, EC168 12800D4-ZZZ | nsp            | 14      |             | TER BOARD SCREW 4P,                         | *YT002590R    |                |
| 19      |             |                      | P.C.B SUB ASSY,FRONT                                 | *SR000190R     | 15      |             | SPEAKER TERMINAL SH04 10270P                | nsp           |                |
| 20      |             |                      | TER RCA 2PIN,CIN JACK 3P                             | *YT000870R     | 16      |             | P.C.B SUB ASSY,POWER SOCKET POWER RECEP.TA, | *YT000910R    |                |
| 21      |             |                      | ACK D6.5,C40180260N                                  | *YT002630R     | 17      |             | AC OUTLET CC11304-0212                      |               |                |
| 22      |             |                      | SW ENCODER, EC16824T01D4-ZZZ                         | *SR000200R     | 18      |             | TRANSF. MAINS FOR F                         | *TS001830R    |                |
| 23      |             |                      | REMOTE MODULE RPL6936-H4                             | *HW100030P     | 19      |             | PANEL REAR FOR F                            | nsp           |                |
| 24      |             |                      | HOLDER FL TUBE                                       | nsp            | 20      |             | CORD HOLDER DA-1                            | 322W269030    |                |
| 25      |             |                      | FL TUBE HNA-16MM19                                   | *HG300510R     | 21      |             | MAINS CORD ASSY WITH CORE FOR F             | *ZC000170R    |                |
| 26      |             |                      | P.C.B SUB ASSY,AMP                                   | nsp            | 22      |             | SCREW TAP TITE                              | nsp           |                |
| 27      |             |                      | BRACKET FOR HEAT SINK                                | nsp            | 23      |             | +28 3/8 B-TYPE ZNY/BH                       | nsp           |                |
| 28      |             |                      | HEAT SINK ASSY, FOR POWER                            | nsp            | 24      |             | SCREW TAP TITE                              | nsp           |                |
| 29      |             |                      | CHASSIS ASSY   | nsp            | 25      |             | +28 3/8 B-TYPE BKH/FH                       | nsp           |                |
| 30      |             |                      | FOOT HOT STAMPING                                    | 322W067010     | 26      |             | SCREW TAP TITE                              | nsp           |                |
| 31      |             |                      | P.C.B SUB ASSY,GUIDE LEFT                            | nsp            | 27      |             | SCREW 2X18 B-TYPE ZNY/BH                    | nsp           |                |
| 32      |             |                      | P.C.B SUB ASSY,GUIDE RIGHT                           | nsp            | 28      |             | SCREW TAP TITE ASSY,                        | nsp           |                |
| 33      |             |                      | KNOB SPACER  | nsp            | 29      |             | +38 4 10P+S-WASHER ZNY/BH                   | nsp           |                |
| 34      |             |                      | P.C.B SUB ASSY,MAIN                                  | nsp            | 30      |             | SCREW TAP TITE                              | nsp           |                |
| 35      |             |                      | HEAT SINK FOR TR.                                    | nsp            | 31      |             | +28 4/8 B-TYPE Bsbm/6H                      | nsp           |                |
| 36      |             |                      | HEAT SINK FOR TR.                                    | nsp            | 32      |             | SCREW,+28 3/16 P                            | nsp           |                |
| 37      |             |                      | TOP COVER(GOLD)                                      | nsp            | 33      |             | +S-WASHER ZNY/HH                            | nsp           |                |
| 38      |             |                      | CUSHION,BUFFER RS-717                                | nsp            | 34      |             | SCREW TAP TITE                              | nsp           |                |
| 39      |             |                      | P.C.B SUB ASSY,TUNER INPUT                           | nsp            | 35      |             | +28 3/10B-TYPE(DO T)BH Bsbm                 | nsp           |                |
| 40      |             |                      | TER RCA 2PIN,  | *YT002790R     | 36      |             | SCREW ASSY,                                 | nsp           |                |
| 41      |             |                      | CIN JACK JKD0200431N                                 | nsp            | 37      |             | +28 3/8 P119 B-TYPE ZNY                     | nsp           |                |
| 42      |             |                      | P.C.B SUB ASSY,VOLUME                                | nsp            | 38      |             | PACKING                                     |               |                |
| 43      |             |                      | TER RCA 4PIN,  | *YT001800R     | 39      |             | USER GUIDE                                  | 341W851110    |                |
| 44      |             |                      | CIN JACK JKD0400480N                                 | *YT002650R     | 40      |             | REMOTE CONTROLLER (RC 6200R)                | ZK320W0010    |                |
| 45      |             |                      | TER RCA 6PIN,  | nsp            |         |             |   |               |                |
| 46      |             |                      | CIN JACK JC0300466N                                  | nsp            |         |             |   |               |                |
| 47      |             |                      | P.C.B SUB ASSY,DSP                                   | nsp            |         |             |   |               |                |
| 48      |             |                      | TER RCA 2PIN,  | *YT002820R     |         |             |   |               |                |
| 49      |             |                      | CIN JACK JC030012ZN                                  | *YT002570R     |         |             |   |               |                |
| 50      |             |                      | MODULE,GP1FA602TZ / OPTICAL RX                       | *YT002580R     |         |             |   |               |                |
| 51      |             |                      | MODULE,GP1FA602TZ / OPTICAL TX                       | nsp            |         |             |   |               |                |
| 52      |             |                      | P.C.B SUB ASSY,INPUT2                                | nsp            |         |             |   |               |                |
| 53      |             |                      | TER RCA 6PIN,  | *YT002640R     |         |             |   |               |                |
| 54      |             |                      | CIN JACK JKD040048CN                                 | *YT002800R     |         |             |   |               |                |
| 55      |             |                      | TER RCA 2PIN,  | nsp            |         |             |   |               |                |
| 56      |             |                      | CIN JACK JKD020044HN                                 | nsp            |         |             |   |               |                |
| 57      |             |                      | P.C.B SUB ASSY,INPUT1                                | nsp            |         |             |   |               |                |

NOTE: THE PART LISTED FOR REFERENCE ONLY, MARANTZ WILL NOT SUPPLY THESE PARTS





PS7200

| POS. NO | VERS. COLOR | PART NO. (FOR PCS) | DESCRIPTION                    | PART NO. (MJI) | POS. NO | VERS. COLOR | PART NO. (FOR PCS) | DESCRIPTION                                   | PART NO. (MJI) |
|---------|-------------|--------------------|--------------------------------|----------------|---------|-------------|--------------------|---|----------------|
| 1       |             |                    | WINDOW-FL                      | 322W158220     | 56      |             |                    | P.C.B SUB ASSY, V-COMPOSITE                   | nsp            |
| 2       |             |                    | KNOB VOLUME AL(GOLD)           | 313W154510     | 57      |             |                    | CINCH JACK JC030012FN                         | *YT002630R     |
| 3       |             |                    | BADGE(MARANTZ)                 | 168W251010     | 58      |             |                    | CINCH JACK JC0200095N                         | *YT002610R     |
| 4       |             |                    | PANEL FRONT AL(GOLD)           | 342W248010     | 59      |             |                    | P.C.B SUB ASSY,S-VIDEO                        | nsp            |
| 5       |             |                    | INDICATOR ACRYL MILK           | 322W355010     | 60      |             |                    | JACK S-VIDEO YKF51-5516                       | *YT002540R     |
| 6       |             |                    | CAP FRONT(GOLD)                | 322W053120     | 61      |             |                    | JACK S-VIDEO YKF51-5512                       | *YT002560R     |
| 7       |             |                    | FILTER COVER LED               | 322W303010     | 62      |             |                    | P.C.B SUB ASSY,C-VIDEO                        | nsp            |
| 8       |             |                    | PANEL FRONT MOLD(GOLD)         | nsp            | 63      |             |                    | CINCH JACK JC030012LN                         | *YT002770R     |
| 9       |             |                    | BUTTON MUTE(GOLD)              | 322W270140     | 64      |             |                    | P.C.B SUB ASSY,SPEAKER                        | nsp            |
| 10      |             |                    | BUTTON 5KEY(GOLD)              | 322W270150     | 65      |             |                    | SPEAKER TERMINAL, SH0810360P                  | *YT001290R     |
| 11      |             |                    | BUTTON 9KEY(GOLD)              | 322W270160     | 66      |             |                    | SPEAKER                                       | *YT002590R     |
| 12      |             |                    | BUTTON POWER(GOLD)             | 322W270110     | 67      |             |                    | TERMINAL, SH0410370P                          | nsp            |
| 13      |             |                    | P.C.B SUB ASSY, STAND-BY LED   | nsp            | 68      |             |                    | P.C.B SUB ASSY,SPEAKER B                      | nsp            |
| 14      |             |                    | P.C.B BY POWER ASSY, BY SW     | nsp            | 70      |             |                    | SPEAKER TERMINAL, SH0410770P                  | *YT002780R     |
| 15      |             |                    | P.C.B SUB ASSY,HEAD PHONE      | nsp            | 71      | ▲           |                    | P.C.B SUB ASSY,POWER                          | nsp            |
| 16      |             |                    | HEADPHONE JACK, H20380060G     | *YT002750R     | 72      | ▲           |                    | AC OUTLET CCT1304-0212                        | *YT000910R     |
| 17      |             |                    | P.C.B SUB ASSY,M-CONTROL       | nsp            | 73      |             |                    | TRANSF. MAINS FOR F                           | *TS001620R     |
| 18      |             |                    | SW ENCODER, EC16B12S00D4-ZZZ   | *SR000190R     | 74      |             |                    | PANEL REAR FOR F                              | nsp            |
| 19      |             |                    | P.C.B SUB ASSY,FRONT           | nsp            | 75      | ▲           |                    | CORD HOLDER DACH-1                            | 323W259030     |
| 20      |             |                    | CINCH JACK 3P                  | *YT000870R     |         |             |                    | MAINS CORD ASSY WITH CORE FOR F               | *ZC000170R     |
| 21      |             |                    | JACK D6.5,C40160250N           | *YT002530R     | S1      |             |                    | SCREW TAP TITE, +2S 3*8 B-TYPE ZNY/BH         | nsp            |
| 22      |             |                    | SW ENCODER, EC16B24T01D4-ZZZ   | *SR000200R     | S2      |             |                    | SCREW TAP TITE, +2S 3*8 B-TYPE BK/FH          | nsp            |
| 23      |             |                    | REMOTE MODULE, RPM6936-H4      | *HW100530R     | S3      |             |                    | SCREW TAP TITE, SCREW 3X18 B-TYPE ZNY/BH      | nsp            |
| 24      |             |                    | HOLDER FL TUBE                 | nsp            | S4      |             |                    | SCREW TAP TITE ASSY, +3S4*10P+S-WASHER ZNY/BH | nsp            |
| 25      |             |                    | FL TUBE HNA-15MM19             | *HQ300510R     | S5      |             |                    | SCREW TAP TITE, +2S 4*8 B-TYPE Bsbm/BH        | nsp            |
| 26      |             |                    | P.C.B SUB ASSY,AMP             | nsp            | S6      |             |                    | SCREW, +2S3*16P+S-WASHER ZNY/HH               | nsp            |
| 27      |             |                    | BRACKET FOR HEAT SINK          | nsp            | S7      |             |                    | SCREW TAP TITE, +2S3*10B-TYPE(DOT)BH Bsbm     | nsp            |
| 28      |             |                    | HEAT SINK POWER                | nsp            | S8      |             |                    | SCREW ASSY, +2S 3*8 PH9 B-TYPE ZNY            | nsp            |
| 29      |             |                    | CHASSIS ASSY                   | nsp            | -       |             |                    | PACKING                                       |                |
| 30      |             |                    | FOOT HOT STAMPING              | 322W057010     | 001Z    |             |                    | USER GUIDE                                    | 342W851110     |
| 31      |             |                    | P.C.B SUB ASSY,GUIDE LEFT      | nsp            |         |             |                    | REMOTE CONTROLLER, RC7200SR                   | ZK322W0010     |
| 32      |             |                    | P.C.B SUB ASSY,GUIDE RIGHT     | nsp            |         |             |                    |   |                |
| 33      |             |                    | KNOB SPACER                    | nsp            |         |             |                    |   |                |
| 34      |             |                    | P.C.B SUB ASSY,MAIN            | nsp            |         |             |                    |   |                |
| 35      |             |                    | HEAT SINK FOR TR.              | nsp            |         |             |                    |   |                |
| 36      |             |                    | HEAT SINK FOR TR.              | nsp            |         |             |                    |   |                |
| 37      |             |                    | TOP COVER(GOLD)                | nsp            |         |             |                    |   |                |
| 38      |             |                    | BUFFER RS-717                  | nsp            |         |             |                    |   |                |
| 39      |             |                    | P.C.B SUBASSY,TUNER INPUT      | nsp            |         |             |                    |   |                |
| 40      |             |                    | CINCH JACK 2P                  | *YT002790R     |         |             |                    |   |                |
| 41      |             |                    | P.C.B SUB ASSY,VOLUME          | nsp            |         |             |                    |   |                |
| 42      |             |                    | CINCH JACK JK0400450N          | *YT001600R     |         |             |                    |   |                |
| 43      |             |                    | CINCH JACK JK060046EN          | *YT002650R     |         |             |                    |   |                |
| 44      |             |                    | P.C.B SUB ASSY, DSP FOR PS7200 | nsp            |         |             |                    |   |                |
| 45      |             |                    | CINCH JACK JC020009XN          | *YT002730R     |         |             |                    |   |                |
| 46      |             |                    | CINCH JACK JC020009UN          | *YT002720R     |         |             |                    |   |                |
| 47      |             |                    | MODULE, GP1FA502RZ /OPTICAL RX | *YT002570R     |         |             |                    |   |                |
| 48      |             |                    | MODULE, GP1FA502TZ /OPTICAL TX | *YT002580R     |         |             |                    |   |                |
| 49      |             |                    | P.C.B SUB ASSY,INPUT2          | nsp            |         |             |                    |   |                |
| 50      |             |                    | CINCH JACK JK0400450N          | *YT001600R     |         |             |                    | NOT STANDARD SPARE PARTS                      |                |
| 51      |             |                    | CINCH JACK LGY6501-0600C       | *YT002760R     | -       |             |                    | BATTERY DRY,R03NE AAA                         | nsp            |
| 52      |             |                    | CINCH JACK JE040060MN          | *YT002740R     | -       |             |                    | BOX INNECARTON,                               | nsp            |
| 53      |             |                    | P.C.B SUB ASSY,INPUT1          | nsp            | -       |             |                    | PACKING CASE                                  | nsp            |
| 54      |             |                    | CINCH JACK JK0400450N          | *YT001600R     | -       |             |                    | CUSHION SNOW                                  | nsp            |
| 55      |             |                    | CINCH JACK JK060046CN          | *YT002640R     | -       |             |                    | PE SHEET,FILM SOFT PE                         | nsp            |

NOTE : \*nsp\* PART IS LISTED FOR REFERENCE ONLY, MARANTZ WILL NOT SUPPLY THESE PARTS.

## 9. ELECTRICAL PARTS LIST

### ASSIGNMENT OF COMMON PARTS CODES.

#### RESISTORS

- R\*\*\***: 1) GD05xxx140, Carbon film fixed resistor, ±5% 1/4W  
**R\*\*\***: 2) GD05xxx160, Carbon film fixed resistor, ±5% 1/6W

① — Resistance value

Examples ;

① Resistance value

0.1 Ω .... 001    10 Ω .... 100    1 kΩ .... 102    100 kΩ .... 104  
 0.5 Ω .... 005    18 Ω .... 180    2.7 kΩ .... 272    680 kΩ .... 684  
 1 Ω .... 010    100 Ω .... 101    10 kΩ .... 103    1 MΩ .... 105  
 6.8 Ω .... 068    390 Ω .... 391    22 kΩ .... 223    4.7 MΩ .... 475

**Note** : Please distinguish 1/4W from 1/6W by the shape of parts used actually.

#### CAPACITORS

##### C\*\*\*: CERAMIC CAP.

- 3) DD1xxx370, Ceramic capacitor  
 Disc type  
 Temp.coeff.P350 ~N1000, 50V
- ② — Tolerance  
 ③ — Capacity value  
 — Tolerance

Examples ;

② Tolerance (Capacity deviation)

±0.25 pF .... 0  
 ±0.5 pF .... 1  
 ±5% .... 5

\* Tolerance of COMMON PARTS handled here are as follows :

0.5 pF ~ 5 pF .... ±0.25 pF  
 6 pF ~ 10 pF .... ±0.5 pF  
 12 pF ~ 560 pF .... ±5%

③ Capacity value

0.5 pF .... 005    3 pF .... 030    100 pF .... 101  
 1 pF .... 010    10 pF .... 100    220 pF .... 221  
 1.5 pF .... 015    47 pF .... 470    560 pF .... 561

##### C\*\*\*: CERAMIC CAP.

- 4) DK16xxx300, High dielectric constant ceramic capacitor  
 Disc type  
 Temp.chara. 2B4, 50V
- ④ — Capacity value

Examples ;

④ Capacity value

100 pF .... 101    1000 pF .... 102    10000 pF .... 103  
 470 pF .... 471    2200 pF .... 222

##### C\*\*\*: 5) ELECTROLY CAP. ( $\frac{\text{Z}}{\text{Z}}$ ), 6) FILM CAP. ( $\frac{\text{Z}}{\text{Z}}$ )

- 5) EAxxx10, Electrolytic capacitor  
 One-way lead type, Tolerance ±20%
- ⑤ — Working voltage  
 ⑥ — Capacity value

Examples ;

⑤ Capacity value

0.1 μF .... 104    4.7 μF .... 475    100 μF .... 107  
 0.33 μF .... 334    10 μF .... 106    330 μF .... 337  
 1 μF .... 105    22 μF .... 226    1100 μF .... 118  
 2200 μF .... 228

⑥ Working voltage

6.3V .... 006    25V .... 025  
 10V .... 010    35V .... 035  
 16V .... 016    50V .... 050

- 6) DF15xxx350 — Plastic film capacitor  
 DF15xxx310 — One-way type, Mylar ±5% 50V  
 DF16xxx310 — Plastic film capacitor  
 One-way type, Mylar ±10% 50V
- ⑦ — Capacity value

Examples ;

⑦ Capacity value

0.001 μF (1000 pF) ..... 102    0.1 μF .... 104  
 0.0018 μF ..... 182    0.56 μF .... 564  
 0.01 μF ..... 103    1 μF .... 105  
 0.015 μF ..... 153

**NOTE** : 1) The above CODES ( **R\*\*\***, **R\*\*\***, **C\*\*\***, **C\*\*\*** and **C\*\*\*** ) are omitted on the schematic diagram in some case.

2) On the occasion, be confirmed the common parts on the parts list.

3) Refer to "Common Parts List" for the other common parts (RI05, DD4, DK4).

### NOTE ON SAFETY FOR FUSIBLE RESISTOR :

The suppliers and their type numbers of fusible resistors are as follows;

#### 1. KOA Corporation

| Part No. (MJI) | Type No. (KOA) | Description |
|----------------|----------------|-------------|
| NH05xxx140     | RF25SxxxxΩJ    | (±5% 1/4W)  |
| NH05xxx120     | RF50SxxxxΩJ    | (±5% 1/2W)  |
| NH85xxx110     | RF73B2AxxxxΩJ  | (±5% 1/10W) |
| NH95xxx140     | RF73B2ExxxxΩJ  | (±5% 1/4W)  |

\* Resistance value (0.1 Ω - 10 kΩ)

#### 2. Matsushita Electronic Components Co., Ltd

| Part No. (MJI) | Type No. (MEC) | Description |
|----------------|----------------|-------------|
| NF05xxx140     | ERD-2FCJxxx    | (±5% 1/4W)  |
| RF05xxx140     |                |             |
| NF02xxx140     | ERD-2FCGxxx    | (±2% 1/4W)  |
| RF02xxx140     |                |             |

\* Resistance value

Examples ;

\* Resistance value

0.1 Ω .... 001    10 Ω .... 100    1 kΩ .... 102    100 kΩ .... 104  
 0.5 Ω .... 005    18 Ω .... 180    2.7 kΩ .... 272    680 kΩ .... 684  
 1 Ω .... 010    100 Ω .... 101    10 kΩ .... 103    1 MΩ .... 105  
 6.8 Ω .... 068    390 Ω .... 391    22 kΩ .... 223    4.7 MΩ .... 475



### ABBREVIATION AND MARKS

|                        |                      |
|------------------------|----------------------|
| ANT. : ANTENNA         | BATT. : BATTERY      |
| CAP. : CAPACITOR       | CER. : CERAMIC       |
| CONN. : CONNECTING     | DIG. : DIGITAL       |
| HP : HEADPHONE         | MIC. : MICROPHONE    |
| μ-PRO : MICROPROCESSOR | REC. : RECORDING     |
| RES. : RESISTOR        | SPK : SPEAKER        |
| SW : SWITCH            | TRANSF : TRANSFORMER |
| TRIM. : TRIMMING       | TRS. : TRANSISTOR    |
| VAR. : VARIABLE        | X'TAL : CRYSTAL      |


### NOTE ON FUSE :

Regarding to all parts of parts code FS20xxx2xx, replace only with Wickmann-Werke GmbH, Type 372 non glass type fuse.

### NOTE ON SAFETY :

Symbol  Fire or electrical shock hazard. Only original parts should be used to replaced any part marked with symbol . Any other component substitution (other than original type), may increase risk of fire or electrical shock hazard.

### 安全上の注意 :

 がついている部品は、安全上重要な部品です。必ず指定されている部品番号の部品を使用して下さい。

PS5200

| POS. NO | VERS. COLOR | PART NO. (FOR PCS) | DESCRIPTION                | PART NO. (MJI) | POS. NO | VERS. COLOR | PART NO. (FOR PCS) | DESCRIPTION      | PART NO. (MJI) |
|---------|-------------|--------------------|----------------------------|----------------|---------|-------------|--------------------|------------------|----------------|
|         |             |                    | MAIN CIRCUIT BOARD         |                |         |             |                    | MAIN - RESISTORS |                |
|         |             |                    | MAIN - CAPACITORS          |                | R101    |             |                    | 0.22-J 1W        | *GA000200R     |
| C101    |             |                    | FILM,0.1µF-K/250V          | nsp            | ∫       |             |                    |                  |                |
| C102    |             |                    | FILM,0.047µF-J/100V        | nsp            | R104    |             |                    |                  |                |
| C103    |             |                    | FILM,0.047µF-J/100V        | nsp            | R105C   |             | 10-J 2W            | GA05100020       |                |
| C104C   |             |                    | FILM,0.1µF-K/63V           | nsp            | R105FL  |             | 10-J 2W            | GA05100020       |                |
| C104FL  |             |                    | FILM,0.1µF-K/63V           | nsp            | R105FR  |             | 10-J 2W            | GA05100020       |                |
| C104FR  |             |                    | FILM,0.1µF-K/63V           | nsp            | R105SC  |             | 10-J 2W            | GA05100020       |                |
| C104SC  |             |                    | FILM,0.1µF-K/63V           | nsp            | R105SL  |             | 10-J 2W            | GA05100020       |                |
| C104SL  |             |                    | FILM,0.1µF-K/63V           | nsp            | R105SR  |             | 10-J 2W            | GA05100020       |                |
| C104SR  |             |                    | FILM,0.1µF-K/63V           | nsp            | R107    |             | 2.7K-J 1/6W        | nsp              |                |
| C105C   |             |                    | FILM,0.1µF-K/63V           | nsp            | R108    |             | 2.7K-J 1/6W        | nsp              |                |
| C105FL  |             |                    | FILM,0.1µF-K/63V           | nsp            | R109    |             | 560K-J 1/6W        | nsp              |                |
| C105FR  |             |                    | FILM,0.1µF-K/63V           | nsp            | R110    |             | 3.6K-J 1/6W        | nsp              |                |
| C105SC  |             |                    | FILM,0.1µF-K/63V           | nsp            | R111    |             | 22K-J 1/6W         | nsp              |                |
| C105SL  |             |                    | FILM,0.1µF-K/63V           | nsp            | R112    |             | 910-J 1/6W         | nsp              |                |
| C105SR  |             |                    | FILM,0.1µF-K/63V           | nsp            | R113    |             | 1K-J 1/6W          | nsp              |                |
| C106    |             |                    | FILM,0.1µF-K/250V          | nsp            | R114    |             | 0.1-J/5W W14*H17   | *GO000011R       |                |
| C107    |             |                    | FILM,0.1µF-K/250V          | nsp            | R115    |             | 0.1-J/5W W14*H17   | *GO000011R       |                |
| C108    |             |                    |                            |                | R116    |             | 27K-J 1/6W         | nsp              |                |
| ∫       |             |                    | FILM,0.047µF-J/100V        | nsp            | R117    |             | 27K-J 1/6W         | nsp              |                |
| C111    |             |                    |                            |                | R118    |             | 2.2K-J 1/6W        | nsp              |                |
| C114    |             |                    | ELECT,2200µF-M/35V 16*32   | nsp            | R119    |             | 2.2K-J 1/6W        | nsp              |                |
| C115    |             |                    | ELECT,2200µF-M/35V 16*32   | nsp            | R120    |             | 560K-J 1/6W        | nsp              |                |
| C116    |             |                    | CER.,0.01µF-K/50V          | nsp            | R122    |             |                    |                  |                |
| C117    |             |                    | ELECT,10000µF-M/16V 18*35  | nsp            | ∫       |             | 27K-J 1/6W         | nsp              |                |
| C118    |             |                    | ELECT,2200µF-M/16V 12.5*20 | nsp            | R127    |             |                    |                  |                |
| C119    |             |                    | ELECT,10000µF-M/63V 30*50  | *OA000050R     | R128    |             | 51K-J 1/6W         | nsp              |                |
| C120    |             |                    | ELECT,10000µF-M/63V 30*50  | *OA000050R     | R129    |             | 51K-J 1/6W         | nsp              |                |
| C121    |             |                    | ELECT,10µF-M/50V 5*11      | nsp            | R130    |             | 15K-J 1/6W         | nsp              |                |
| C122    |             |                    | FILM,0.1µF-K/250V          | nsp            | R131    |             | 33K-J 1/6W         | nsp              |                |
| C123    |             |                    | FILM,0.1µF-K/250V          | nsp            | R133    |             | 2.2K-J 1/6W        | nsp              |                |
| C124    |             |                    | CER.,0.01µF-K/50V          | nsp            | R134    |             | 100K-J 1/6W        | nsp              |                |
| C125    |             |                    |                            |                | R137    |             |                    |                  |                |
| ∫       |             |                    | ELECT,1µF-M/50V 5*11       | nsp            | ∫       |             | 22K-J 1/6W         | nsp              |                |
| C129    |             |                    |                            |                | R142    |             |                    |                  |                |
| C132    |             |                    | ELECT,100µF-M/25V 6.3*11   | nsp            | R143    |             | 3.3K-J 1/6W        | nsp              |                |
| C135    |             |                    | CER.,0.1µF-Z/50V           | nsp            | R144    |             | 15K-J 1/6W         | nsp              |                |
| C140    |             |                    | ELECT,4.7µF-M/50V 5*11     | nsp            | R146    |             | 1.2K-J 1W          | nsp              |                |
| C141    |             |                    | ELECT,470µF-M/16V,8*11.5   | nsp            | R147    |             | 22K-J 1/6W         | nsp              |                |
| C142    |             |                    | ELECT,470µF-M/16V,8*11.5   | nsp            | R148    |             | 22K-J 1/6W         | nsp              |                |
| C143    |             |                    | CER.,0.1µF-Z/50V           | nsp            | R150    |             | 18K-J 1/6W         | nsp              |                |
| C144    |             |                    | CER.,0.1µF-Z/50V           | nsp            | R152    |             | 1.2K-J 1W          | nsp              |                |
| C145    |             |                    | ELECT,10µF-M/100V 6.3*11   | *EA001080R     | R154    |             | 1.2K-J 1W          | nsp              |                |
| C147    |             |                    | CER.,0.1µF-Z/50V           | nsp            | R155    |             | 4.7K-J 1/6W        | nsp              |                |
| C148    |             |                    | CER.,0.1µF-Z/50V           | nsp            | R157    |             | 100K-J 1/6W        | nsp              |                |
| C149    |             |                    | ELECT,4.7µF-M/50V 5*11     | nsp            | R158    |             | 100K-J 1/6W        | nsp              |                |
| C150    |             |                    | ELECT,47µF-M/16V 5*11      | nsp            | R159    |             | 1K-J 1/6W          | nsp              |                |
| C151    |             |                    | ELECT,8200µF-M/5.5V        | *EX000080R     | R161    |             | 1M-J 1/6W          | nsp              |                |
| C152    |             |                    | CER.,100pF-K/50V           | nsp            | R162    |             | 47K-J 1/6W         | nsp              |                |
| C160    |             |                    |                            |                | R165    |             | 4.7K-J 1/6W        | nsp              |                |
| ∫       |             |                    | CER.,100pF-K/50V           | nsp            | R166    |             | 47K-J 1/6W         | nsp              |                |
| C164    |             |                    |                            |                | R168    |             | 47K-J 1/6W         | nsp              |                |
| C164    |             |                    | CER.,220pF-K/50V           | nsp            | R169    |             | 220-J 1/6W         | nsp              |                |
| C165    |             |                    | CER.,0.001µF-K/50V         | nsp            | R170    |             | 100K-J 1/6W        | nsp              |                |
| C168    |             |                    | CER.,10pF-J/50V            | nsp            | R172    |             | 10K-J 1/6W         | nsp              |                |
| C169    |             |                    |                            |                | R173    |             | 150K-J 1/6W        | nsp              |                |
| ∫       |             |                    | CER.,0.047µF-Z/50V         | nsp            | R174    |             | 47K-J 1/6W         | nsp              |                |
| C173    |             |                    |                            |                | R175    |             | 10K-J 1/6W         | nsp              |                |
| C175    |             |                    | CER.,47pF-J/50V            | nsp            | R176    |             | 15K-J 1/6W         | nsp              |                |
| C176    |             |                    | CER.,10pF-J/50V            | nsp            | R177    |             | 470K-J 1/6W        | nsp              |                |
|         |             |                    |                            |                | R178    |             | 100-J 1/6W         | nsp              |                |
|         |             |                    |                            |                | R179    |             | 47K-J 1/6W         | nsp              |                |

NOTE : \*nsp\* PART IS LISTED FOR REFERENCE ONLY, MARANTZ WILL NOT SUPPLY THESE PARTS.

PS5200

| POS. NO | VERS. COLOR | PART NO. (FOR PCS) | DESCRIPTION                  | PART NO. (MJI) | POS. NO | VERS. COLOR | PART NO. (FOR PCS) | DESCRIPTION                 | PART NO. (MJI) |
|---------|-------------|--------------------|------------------------------|----------------|---------|-------------|--------------------|-----------------------------|----------------|
| R181    |             |                    | 10K-J 1/6W                   | nsp            | Q186    |             |                    | TRS.2SA,KSA992F TO92        | *HT100590R     |
| R183    |             |                    | 47K-J 1/6W                   | nsp            | ZD121   |             |                    | D ZENER,MTZJ5.1B            | HD30511000     |
| R184    |             |                    | 10K-J 1/6W                   | nsp            | ZD122   |             |                    | D ZENER,MTZJ5.1B            | HD30511000     |
| R185    |             |                    | 100K-J 1/6W                  | nsp            |         |             |                    |                             |                |
| R186    |             |                    | 100K-J 1/6W                  | nsp            |         |             |                    |                             |                |
| R189    |             |                    | 10K-J 1/6W                   | nsp            | BEAD101 |             |                    | <b>MAIN - MISCELLANEOUS</b> |                |
| R190    |             |                    | 10K-J 1/6W                   | nsp            | §       |             |                    | BEAD COIL,                  | nsp            |
| R192    |             |                    | 47K-J 1/6W                   | nsp            |         |             |                    | BAS3580T0 3.5PHI*8          |                |
| R193    |             |                    | 3.3-J 1W                     | nsp            | BEAD105 |             |                    |                             |                |
| R194    |             |                    |                              |                | CNT108  |             |                    | CN WIRE,420MM/4P            | nsp            |
| §       |             |                    | 10K-J 1/6W                   | nsp            | CP101   |             |                    | CN.WAFER 2.5MM,             | nsp            |
| R198    |             |                    |                              |                |         |             |                    | 53421-1317 ST ZIP           |                |
| R199    |             |                    | 1K-J 1/6W                    | nsp            | CP103   |             |                    | CN.WAFER 2.0MM,             | nsp            |
| R200    |             |                    | 47K-J 1/6W                   | nsp            |         |             |                    | TUC-P09P-B1 9P WAFER ST     |                |
| R201    |             |                    | 47K-J 1/6W                   | nsp            | CP104   |             |                    | CN.WAFER 2.0MM,             | nsp            |
| R202    |             |                    | 100-J 1/4W                   | nsp            |         |             |                    | 35336-1310 13P              |                |
| R203    |             |                    | 10K-J 1/6W                   | nsp            | CP105   |             |                    | CN.WAFER 2.0MM,             | nsp            |
| R204    |             |                    | 47K-J 1/6W                   | nsp            |         |             |                    | TUC-P09P-B1 9P WAFER ST     |                |
|         |             |                    | <b>MAIN - SEMICONDUCTORS</b> |                | CP106   |             |                    | CN.WAFER 2.0MM,             | nsp            |
| D101    |             |                    |                              |                |         |             |                    | TUC-P15P-B1 WAFER ST        |                |
| §       |             |                    | DIODE,IN4007                 | *HD201570R     | CP107   |             |                    | CN.WAFER 2.0MM,             | nsp            |
| D105    |             |                    |                              |                |         |             |                    | TUC-P10P-B1 10P WAFER ST    |                |
| D106    |             |                    | D RECTIFIER BRIDGE,          | *HE200300R     | CP108   |             |                    | CN.WAFER 2.0MM,             | nsp            |
|         |             |                    | KBPC604 6A                   |                |         |             |                    | TUC-P20P-B1 WAFER ST        |                |
| D107    |             |                    | D RECTIFIER BRIDGE,          | *HE200300R     | CP109   |             |                    | CN.WAFER 2.0MM,             | nsp            |
|         |             |                    | KBPC604 6A                   |                |         |             |                    | TUC-P04P-B1 4P WAFER ST     |                |
| D108    |             |                    | DIODE,IN4007                 | *HD201570R     | CP110   |             |                    | CN.WAFER 2.0MM,             | nsp            |
| D109    |             |                    | DIODE,IN4007                 | *HD201570R     |         |             |                    | TUC-P11P-B1 11P WAFER ST    |                |
| D110    |             |                    | DIODE,1SS133T                | HD20015210     | CP111   |             |                    | CN.WAFER 2.0MM,             | nsp            |
| D111    |             |                    | DIODE,IN4007                 | *HD201570R     |         |             |                    | TUC-P12P-B1 12P WAFER ST    |                |
| D112    |             |                    |                              |                | CP112   |             |                    | CN.WAFER 2.0MM,             | nsp            |
| §       |             |                    | DIODE,1SS133T                | HD20015210     |         |             |                    | TUC-P15P-B1 WAFER ST        |                |
| D129    |             |                    |                              |                | CP113   |             |                    | CN.WAFER 2.0MM,             | nsp            |
| IC101   |             |                    | IC,KA7815/IL7815CV           | *HC300150R     |         |             |                    | TUC-P18P-B1 WAFER ST        |                |
| IC102   |             |                    | IC,KIA7915PI TO220IS         | *HC300200R     | CP114   |             |                    | CN.WAFER 2.0MM,             | nsp            |
| IC103   |             |                    | IC,KA7805                    | *HC300140R     |         |             |                    | TUC-P15P-B1 WAFER ST        |                |
| IC104   |             |                    | IC,KA7805                    | *HC300140R     | CP115   |             |                    | CN.WAFER 2.0MM,             | nsp            |
| IC105   |             |                    | IC,KIA7905PI TO220IS         | *HC300190R     |         |             |                    | TUC-P20P-B1 WAFER ST        |                |
| IC107   |             |                    | IC,CXP740010-149Q QFP100     | *HU100570R     | CP120   |             |                    | CN.WAFER 2.5MM,5267-06A 6P  | nsp            |
| Q101    |             |                    | TRS.2SA,KA1268BL TO92        | *HT100340R     | CP121   |             |                    | CN.WAFER 396MM,35328-0310   | nsp            |
| Q102    |             |                    | TRS.2SC,KTC3200BL TO92       | HT322402A0     | CP122   |             |                    | CN.WAFER 2.5MM,5267-04A 4P  | nsp            |
| Q103    |             |                    | TRS.2SA,KA1268BL TO92        | *HT100340R     | CP123   |             |                    | CN.WAFER 2.5MM,             | nsp            |
| Q104    |             |                    | TRS.2SA,KA1268BL TO92        | *HT100340R     |         |             |                    | 5267-10A 10P                |                |
| Q105    |             |                    | TRS.2SC,KTC3200BL TO92       | HT322402A0     | CP124   |             |                    | CN.WAFER 2.5MM,5267-09A 9P  | nsp            |
| Q106    |             |                    | TRS.2SA,KA1268BL TO92        | *HT100340R     | CP150   |             |                    | CN WIRE,200MM/2P            | nsp            |
| Q107    |             |                    | TRS.2SC,KTC3200BL TO92       | HT322402A0     | FPC109  |             |                    | CABLE FLAT CARD             | *YU000930R     |
| Q108    |             |                    | TRS.RC,KRC107M TO92M         | *BA001190R     | FPC109A |             |                    | CN.FP1.25MM,                | nsp            |
| Q113    |             |                    | TRS.RC,KRC107M TO92M         | *BA001190R     |         |             |                    | 52045-2345 23P ST           |                |
| Q115    |             |                    | TRS.2SC,KTC3200BL TO92       | HT322402A0     | GND101  |             |                    | TERMINAL,                   | nsp            |
| Q116    |             |                    | TRS.2SC,KTC3200BL TO92       | HT322402A0     | §       |             |                    | ALL PBST/GND PLATE          |                |
| Q117    |             |                    | TRS.2SA,KA1268BL TO92        | *HT100340R     |         |             |                    |                             |                |
| Q118    |             |                    | TRS.2SA,KA1268BL TO92        | *HT100340R     | GND105  |             |                    | RELAY,G5PA-28 24V 5A        | LY20240490     |
| Q119    |             |                    | TRS.2SC,KTC3200BL TO92       | HT322402A0     | RLY102  |             |                    | RELAY,RSB24S 24V 2A30VDC    | *LY000290R     |
| Q120    |             |                    | TRS.2SC,KTC3200BL TO92       | HT322402A0     | RLY104  |             |                    | WIRE LEAD 1007 80C,         | nsp            |
| Q122    |             |                    | TRS.RA,KRA102M TO92M         | *BA001210R     | W101    |             |                    | BK 5-160-5                  |                |
| Q123    |             |                    | TRS.RC,KRC102M TO92M         | *BA001180R     |         |             |                    | WIRE LEAD 1007 80C,         | nsp            |
| Q124    |             |                    | TRS.RA,KRA102M TO92M         | *BA001210R     | WIRE102 |             |                    | BK 5-50-5                   |                |
| Q128    |             |                    | TRS.RA,KRA102M TO92M         | *BA001210R     |         |             |                    | RESONATOR CERAMIC,          | *FQ000530R     |
| Q129    |             |                    | TRS.RC,KRC102M TO92M         | *BA001180R     | XTAL101 |             |                    | CST12.0MTW-T01              |                |
| Q130    |             |                    | TRS.RC,KRC107M TO92M         | *BA001190R     |         |             |                    | <b>AMP CIRCUIT BOARD</b>    |                |
| Q131    |             |                    |                              |                |         |             |                    | <b>AMP - CAPACITORS</b>     |                |
| §       |             |                    | TRS.RA,KRA102M TO92M         | *BA001210R     | C201C   |             |                    | ELECT,4.7µF-M/50V 5*11      | nsp            |
| Q135    |             |                    |                              |                | C201L   |             |                    | ELECT,4.7µF-M/50V 5*11      | nsp            |
|         |             |                    |                              |                | C201R   |             |                    | ELECT,4.7µF-M/50V 5*11      | nsp            |

NOTE : \*nsp\* PART IS LISTED FOR REFERENCE ONLY, MARANTZ WILL NOT SUPPLY THESE PARTS.

PS5200

| POS. NO | VERS. COLOR | PART NO. (FOR PCS) | DESCRIPTION               | PART NO. (MJI) | POS. NO | VERS. COLOR | PART NO. (FOR PCS) | DESCRIPTION            | PART NO. (MJI) |
|---------|-------------|--------------------|---------------------------|----------------|---------|-------------|--------------------|------------------------|----------------|
| C201SC  |             |                    | ELECT,4.7µF-M/50V 5*11    | nsp            | C214SL  |             |                    | CER.,1pF-K/50V         | nsp            |
| C201SL  |             |                    | ELECT,4.7µF-M/50V 5*11    | nsp            | C214SR  |             |                    | CER.,1pF-K/50V         | nsp            |
| C201SR  |             |                    | ELECT,4.7µF-M/50V 5*11    | nsp            | C215C   |             |                    | CER.,100pF-K/50V       | nsp            |
| C202C   |             |                    | CER.,330pF-K/50V          | nsp            | C215L   |             |                    | CER.,100pF-K/50V       | nsp            |
| C202L   |             |                    | CER.,330pF-K/50V          | nsp            | C215R   |             |                    | CER.,100pF-K/50V       | nsp            |
| C202R   |             |                    | CER.,330pF-K/50V          | nsp            | C215SC  |             |                    | CER.,100pF-K/50V       | nsp            |
| C202SC  |             |                    | CER.,330pF-K/50V          | nsp            | C215SL  |             |                    | CER.,100pF-K/50V       | nsp            |
| C202SL  |             |                    | CER.,330pF-K/50V          | nsp            | C215SR  |             |                    | CER.,100pF-K/50V       | nsp            |
| C202SR  |             |                    | CER.,330pF-K/50V          | nsp            |         |             |                    |                        |                |
| C203C   |             |                    | CER.,0.001µF-K/50V        | nsp            |         |             |                    | <b>AMP - RESISTORS</b> |                |
| C203L   |             |                    | CER.,0.001µF-K/50V        | nsp            | R201C   |             |                    | 1K-J 1/6W              | nsp            |
| C203R   |             |                    | CER.,0.001µF-K/50V        | nsp            | R201L   |             |                    | 1K-J 1/6W              | nsp            |
| C203SC  |             |                    | CER.,0.001µF-K/50V        | nsp            | R201R   |             |                    | 1K-J 1/6W              | nsp            |
| C203SL  |             |                    | CER.,0.001µF-K/50V        | nsp            | R201SC  |             |                    | 1K-J 1/6W              | nsp            |
| C203SR  |             |                    | CER.,0.001µF-K/50V        | nsp            | R201SL  |             |                    | 1K-J 1/6W              | nsp            |
|         |             |                    |                           |                | R201SR  |             |                    | 1K-J 1/6W              | nsp            |
| C204C   |             |                    | ELECT,22µF-M/50V 6*11     | nsp            | R202C   |             |                    | 33K-J 1/6W             | nsp            |
| C204L   |             |                    | ELECT,22µF-M/50V 6*11     | nsp            | R202L   |             |                    | 33K-J 1/6W             | nsp            |
| C204R   |             |                    | ELECT,22µF-M/50V 6*11     | nsp            | R202R   |             |                    | 33K-J 1/6W             | nsp            |
| C204SC  |             |                    | ELECT,22µF-M/50V 6*11     | nsp            | R202SC  |             |                    | 33K-J 1/6W             | nsp            |
| C204SL  |             |                    | ELECT,22µF-M/50V 6*11     | nsp            | R202SL  |             |                    | 33K-J 1/6W             | nsp            |
| C204SR  |             |                    | ELECT,22µF-M/50V 6*11     | nsp            | R202SR  |             |                    | 33K-J 1/6W             | nsp            |
| C205C   |             |                    | ELECT,22µF-M/50V 6*11     | nsp            | R203C   |             |                    | 15-J 1/6W              | nsp            |
| C205L   |             |                    | ELECT,22µF-M/50V 6*11     | nsp            | R203L   |             |                    | 15-J 1/6W              | nsp            |
| C205R   |             |                    | ELECT,22µF-M/50V 6*11     | nsp            | R203R   |             |                    | 15-J 1/6W              | nsp            |
| C205SC  |             |                    | ELECT,22µF-M/50V 6*11     | nsp            | R203SC  |             |                    | 15-J 1/6W              | nsp            |
| C205SL  |             |                    | ELECT,22µF-M/50V 6*11     | nsp            | R203SL  |             |                    | 15-J 1/6W              | nsp            |
| C205SR  |             |                    | ELECT,22µF-M/50V 6*11     | nsp            | R203SR  |             |                    | 15-J 1/6W              | nsp            |
| C206C   |             |                    | ELECT,220µF-M/10V 6.3*11  | nsp            | R204C   |             |                    | 15-J 1/6W              | nsp            |
| C206L   |             |                    | ELECT,220µF-M/10V 6.3*11  | nsp            | R204L   |             |                    | 15-J 1/6W              | nsp            |
| C206R   |             |                    | ELECT,220µF-M/10V 6.3*11  | nsp            | R204R   |             |                    | 15-J 1/6W              | nsp            |
| C206SC  |             |                    | ELECT,220µF-M/10V 6.3*11  | nsp            | R204SC  |             |                    | 15-J 1/6W              | nsp            |
| C206SL  |             |                    | ELECT,220µF-M/10V 6.3*11  | nsp            | R204SL  |             |                    | 15-J 1/6W              | nsp            |
| C206SR  |             |                    | ELECT,220µF-M/10V 6.3*11  | nsp            | R204SR  |             |                    | 15-J 1/6W              | nsp            |
| C209C   |             |                    | ELECT,10µF-M/50V 5*11     | nsp            |         |             |                    |                        |                |
| C209L   |             |                    | ELECT,10µF-M/50V 5*11     | nsp            | R205C   |             |                    | 750-J 1/6W             | nsp            |
| C209R   |             |                    | ELECT,10µF-M/50V 5*11     | nsp            | R205L   |             |                    | 750-J 1/6W             | nsp            |
| C209SC  |             |                    | ELECT,10µF-M/50V 5*11     | nsp            | R205R   |             |                    | 750-J 1/6W             | nsp            |
| C209SL  |             |                    | ELECT,10µF-M/50V 5*11     | nsp            | R205SC  |             |                    | 750-J 1/6W             | nsp            |
| C209SR  |             |                    | ELECT,10µF-M/50V 5*11     | nsp            | R205SL  |             |                    | 750-J 1/6W             | nsp            |
|         |             |                    |                           |                | R205SR  |             |                    | 750-J 1/6W             | nsp            |
| C210C   |             |                    | ELECT,47µF-M/100V 10*12.5 | *EA001090R     | R206C   |             |                    | 750-J 1/6W             | nsp            |
| C210L   |             |                    | ELECT,47µF-M/100V 10*12.5 | *EA001090R     | R206L   |             |                    | 750-J 1/6W             | nsp            |
| C210R   |             |                    | ELECT,47µF-M/100V 10*12.5 | *EA001090R     | R206R   |             |                    | 750-J 1/6W             | nsp            |
| C210SC  |             |                    | ELECT,47µF-M/100V 10*12.5 | *EA001090R     | R206SC  |             |                    | 750-J 1/6W             | nsp            |
| C210SL  |             |                    | ELECT,47µF-M/100V 10*12.5 | *EA001090R     | R206SL  |             |                    | 750-J 1/6W             | nsp            |
| C210SR  |             |                    | ELECT,47µF-M/100V 10*12.5 | *EA001090R     | R206SR  |             |                    | 750-J 1/6W             | nsp            |
| C211C   |             |                    | ELECT,47µF-M/100V 10*12.5 | *EA001090R     | R207C   |             |                    | 470-J 1/6W             | nsp            |
| C211L   |             |                    | ELECT,47µF-M/100V 10*12.5 | *EA001090R     | R207L   |             |                    | 470-J 1/6W             | nsp            |
| C211R   |             |                    | ELECT,47µF-M/100V 10*12.5 | *EA001090R     | R207R   |             |                    | 470-J 1/6W             | nsp            |
| C211SC  |             |                    | ELECT,47µF-M/100V 10*12.5 | *EA001090R     | R207SC  |             |                    | 470-J 1/6W             | nsp            |
| C211SL  |             |                    | ELECT,47µF-M/100V 10*12.5 | *EA001090R     | R207SL  |             |                    | 470-J 1/6W             | nsp            |
| C211SR  |             |                    | ELECT,47µF-M/100V 10*12.5 | *EA001090R     | R207SR  |             |                    | 470-J 1/6W             | nsp            |
| C212C   |             |                    | ELECT,10µF-M/50V 5*11     | nsp            | R208C   |             |                    | 68-J 1/6W              | nsp            |
| C212L   |             |                    | ELECT,10µF-M/50V 5*11     | nsp            | R208L   |             |                    | 68-J 1/6W              | nsp            |
| C212R   |             |                    | ELECT,10µF-M/50V 5*11     | nsp            | R208R   |             |                    | 68-J 1/6W              | nsp            |
| C212SC  |             |                    | ELECT,10µF-M/50V 5*11     | nsp            | R208SC  |             |                    | 68-J 1/6W              | nsp            |
| C212SL  |             |                    | ELECT,10µF-M/50V 5*11     | nsp            | R208SL  |             |                    | 68-J 1/6W              | nsp            |
| C212SR  |             |                    | ELECT,10µF-M/50V 5*11     | nsp            | R208SR  |             |                    | 68-J 1/6W              | nsp            |
| C214C   |             |                    | CER.,1pF-K/50V            | nsp            | R209C   |             |                    | 150-J 1/6W             | nsp            |
| C214L   |             |                    | CER.,1pF-K/50V            | nsp            | R209L   |             |                    | 150-J 1/6W             | nsp            |
| C214R   |             |                    | CER.,1pF-K/50V            | nsp            | R209R   |             |                    | 150-J 1/6W             | nsp            |
| C214SC  |             |                    | CER.,1pF-K/50V            | nsp            | R209SC  |             |                    | 150-J 1/6W             | nsp            |

NOTE : \*nsp\* PART IS LISTED FOR REFERENCE ONLY, MARANTZ WILL NOT SUPPLY THESE PARTS.

PS5200

| POS. NO | VERS. COLOR | PART NO. (FOR PCS) | DESCRIPTION | PART NO. (MJI) | POS. NO | VERS. COLOR | PART NO. (FOR PCS) | DESCRIPTION | PART NO. (MJI) |
|---------|-------------|--------------------|-------------|----------------|---------|-------------|--------------------|-------------|----------------|
| R209SL  |             |                    | 150-J 1/6W  | nsp            | R220SR  |             |                    | 560-J 1/6W  | nsp            |
| R209SR  |             |                    | 150-J 1/6W  | nsp            | R221C   |             |                    | 82-J 1/6W   | nsp            |
| R210C   |             |                    | 10K-J 1/6W  | nsp            | R221L   |             |                    | 82-J 1/6W   | nsp            |
| R210L   |             |                    | 10K-J 1/6W  | nsp            | R221R   |             |                    | 82-J 1/6W   | nsp            |
| R210R   |             |                    | 10K-J 1/6W  | nsp            | R221SC  |             |                    | 82-J 1/6W   | nsp            |
| R210SC  |             |                    | 10K-J 1/6W  | nsp            | R221SL  |             |                    | 82-J 1/6W   | nsp            |
| R210SL  |             |                    | 10K-J 1/6W  | nsp            | R221SR  |             |                    | 82-J 1/6W   | nsp            |
| R210SR  |             |                    | 10K-J 1/6W  | nsp            | R222C   |             |                    | 82-J 1/6W   | nsp            |
| R211C   |             |                    | 43K-J 1/6W  | nsp            | R222L   |             |                    | 82-J 1/6W   | nsp            |
| R211L   |             |                    | 43K-J 1/6W  | nsp            | R222R   |             |                    | 82-J 1/6W   | nsp            |
| R211R   |             |                    | 43K-J 1/6W  | nsp            | R222SC  |             |                    | 82-J 1/6W   | nsp            |
| R211SC  |             |                    | 43K-J 1/6W  | nsp            | R222SL  |             |                    | 82-J 1/6W   | nsp            |
| R211SL  |             |                    | 43K-J 1/6W  | nsp            | R222SR  |             |                    | 82-J 1/6W   | nsp            |
| R211SR  |             |                    | 43K-J 1/6W  | nsp            | R223C   |             |                    | 22K-J 1/6W  | nsp            |
| R212C   |             |                    | 1.3K-J,1/6W | nsp            | R223L   |             |                    | 22K-J 1/6W  | nsp            |
| R212L   |             |                    | 1.3K-J,1/6W | nsp            | R223R   |             |                    | 22K-J 1/6W  | nsp            |
| R212R   |             |                    | 1.3K-J,1/6W | nsp            | R223SC  |             |                    | 22K-J 1/6W  | nsp            |
| R212SC  |             |                    | 1.3K-J,1/6W | nsp            | R223SL  |             |                    | 22K-J 1/6W  | nsp            |
| R212SL  |             |                    | 1.3K-J,1/6W | nsp            | R223SR  |             |                    | 22K-J 1/6W  | nsp            |
| R212SR  |             |                    | 1.3K-J,1/6W | nsp            |         |             |                    |             |                |
| R213C   |             |                    | 33K-J 1/6W  | nsp            | R224C   |             |                    | 22K-J 1/6W  | nsp            |
| R213L   |             |                    | 33K-J 1/6W  | nsp            | R224L   |             |                    | 22K-J 1/6W  | nsp            |
| R213R   |             |                    | 33K-J 1/6W  | nsp            | R224R   |             |                    | 22K-J 1/6W  | nsp            |
| R213SC  |             |                    | 33K-J 1/6W  | nsp            | R224SC  |             |                    | 22K-J 1/6W  | nsp            |
| R213SL  |             |                    | 33K-J 1/6W  | nsp            | R224SL  |             |                    | 22K-J 1/6W  | nsp            |
| R213SR  |             |                    | 33K-J 1/6W  | nsp            | R224SR  |             |                    | 22K-J 1/6W  | nsp            |
| R213SR  |             |                    | 33K-J 1/6W  | nsp            | R225C   |             |                    | 4.7-J 1/6W  | nsp            |
| R214C   |             |                    | 560-J 1/6W  | nsp            | R225L   |             |                    | 4.7-J 1/6W  | nsp            |
| R214L   |             |                    | 560-J 1/6W  | nsp            | R225R   |             |                    | 4.7-J 1/6W  | nsp            |
| R214R   |             |                    | 560-J 1/6W  | nsp            | R225SC  |             |                    | 4.7-J 1/6W  | nsp            |
| R214SC  |             |                    | 560-J 1/6W  | nsp            | R225SL  |             |                    | 4.7-J 1/6W  | nsp            |
| R214SL  |             |                    | 560-J 1/6W  | nsp            | R225SR  |             |                    | 4.7-J 1/6W  | nsp            |
| R214SR  |             |                    | 560-J 1/6W  | nsp            | R228C   |             |                    | 220-J 1/4W  | nsp            |
| R216C   |             |                    | 560-J 1/6W  | nsp            | R228L   |             |                    | 220-J 1/4W  | nsp            |
| R216L   |             |                    | 560-J 1/6W  | nsp            | R228R   |             |                    | 220-J 1/4W  | nsp            |
| R216R   |             |                    | 560-J 1/6W  | nsp            | R228SC  |             |                    | 220-J 1/4W  | nsp            |
| R216SC  |             |                    | 560-J 1/6W  | nsp            | R228SL  |             |                    | 220-J 1/4W  | nsp            |
| R216SL  |             |                    | 560-J 1/6W  | nsp            | R228SR  |             |                    | 220-J 1/4W  | nsp            |
| R216SR  |             |                    | 560-J 1/6W  | nsp            | R229C   |             |                    | 220-J 1/4W  | nsp            |
| R217C   |             |                    | 560-J 1/6W  | nsp            | R229L   |             |                    | 220-J 1/4W  | nsp            |
| R217L   |             |                    | 560-J 1/6W  | nsp            | R229R   |             |                    | 220-J 1/4W  | nsp            |
| R217R   |             |                    | 560-J 1/6W  | nsp            | R229SC  |             |                    | 220-J 1/4W  | nsp            |
| R217SC  |             |                    | 560-J 1/6W  | nsp            | R229SL  |             |                    | 220-J 1/4W  | nsp            |
| R217SL  |             |                    | 560-J 1/6W  | nsp            | R229SR  |             |                    | 220-J 1/4W  | nsp            |
| R217SR  |             |                    | 560-J 1/6W  | nsp            |         |             |                    |             |                |
| R218C   |             |                    | 560-J 1/6W  | nsp            | R231C   |             |                    | 4.7-J 1/6W  | nsp            |
| R218L   |             |                    | 560-J 1/6W  | nsp            | R231L   |             |                    | 4.7-J 1/6W  | nsp            |
| R218R   |             |                    | 560-J 1/6W  | nsp            | R231R   |             |                    | 4.7-J 1/6W  | nsp            |
| R218SC  |             |                    | 560-J 1/6W  | nsp            | R231SC  |             |                    | 4.7-J 1/6W  | nsp            |
| R218SL  |             |                    | 560-J 1/6W  | nsp            | R231SL  |             |                    | 4.7-J 1/6W  | nsp            |
| R218SR  |             |                    | 560-J 1/6W  | nsp            | R231SR  |             |                    | 4.7-J 1/6W  | nsp            |
| R219C   |             |                    | 560-J 1/6W  | nsp            | R232C   |             |                    | 4.7-J 1/6W  | nsp            |
| R219L   |             |                    | 560-J 1/6W  | nsp            | R232L   |             |                    | 4.7-J 1/6W  | nsp            |
| R219R   |             |                    | 560-J 1/6W  | nsp            | R232R   |             |                    | 4.7-J 1/6W  | nsp            |
| R219SC  |             |                    | 560-J 1/6W  | nsp            | R232SC  |             |                    | 4.7-J 1/6W  | nsp            |
| R219SL  |             |                    | 560-J 1/6W  | nsp            | R232SL  |             |                    | 4.7-J 1/6W  | nsp            |
| R219SR  |             |                    | 560-J 1/6W  | nsp            | R232SR  |             |                    | 4.7-J 1/6W  | nsp            |
| R220C   |             |                    | 560-J 1/6W  | nsp            | R233C   |             |                    | 1.8K-J 1/6W | nsp            |
| R220L   |             |                    | 560-J 1/6W  | nsp            | R233L   |             |                    | 1.8K-J 1/6W | nsp            |
| R220R   |             |                    | 560-J 1/6W  | nsp            | R233R   |             |                    | 1.8K-J 1/6W | nsp            |
| R220SC  |             |                    | 560-J 1/6W  | nsp            | R233SC  |             |                    | 1.8K-J 1/6W | nsp            |
| R220SL  |             |                    | 560-J 1/6W  | nsp            | R233SL  |             |                    | 1.8K-J 1/6W | nsp            |
|         |             |                    |             |                | R233SR  |             |                    | 1.8K-J 1/6W | nsp            |

NOTE : \*nsp\* PART IS LISTED FOR REFERENCE ONLY, MARANTZ WILL NOT SUPPLY THESE PARTS.

PS5200

| POS. NO                     | VERS. COLOR | PART NO. (FOR PCS) | DESCRIPTION          | PART NO. (MJI) | POS. NO                    | VERS. COLOR | PART NO. (FOR PCS) | DESCRIPTION                                     | PART NO. (MJI) |
|-----------------------------|-------------|--------------------|----------------------|----------------|----------------------------|-------------|--------------------|---|----------------|
| R234C                       |             |                    | 2.0K-J 1/6W          | nsp            | Q204C                      |             |                    | TRS.2SA,KSA992F T092                            | *HT100590R     |
| R234L                       |             |                    | 2.0K-J 1/6W          | nsp            | Q204L                      |             |                    | TRS.2SA,KSA992F T092                            | *HT100590R     |
| R234R                       |             |                    | 2.0K-J 1/6W          | nsp            | Q204R                      |             |                    | TRS.2SA,KSA992F T092                            | *HT100590R     |
| R234SC                      |             |                    | 2.0K-J 1/6W          | nsp            | Q204SC                     |             |                    | TRS.2SA,KSA992F T092                            | *HT100590R     |
| R234SL                      |             |                    | 2.0K-J 1/6W          | nsp            | Q204SL                     |             |                    | TRS.2SA,KSA992F T092                            | *HT100590R     |
| R234SR                      |             |                    | 2.0K-J 1/6W          | nsp            | Q204SR                     |             |                    | TRS.2SA,KSA992F T092                            | *HT100590R     |
| R235C                       |             |                    | 910-J 1/6W           | nsp            | Q205C                      |             |                    | TRS.2SC,KSC1845F T092                           | *HT300860R     |
| R235L                       |             |                    | 910-J 1/6W           | nsp            | Q205L                      |             |                    | TRS.2SC,KSC1845F T092                           | *HT300860R     |
| R235R                       |             |                    | 910-J 1/6W           | nsp            | Q205R                      |             |                    | TRS.2SC,KSC1845F T092                           | *HT300860R     |
| R235SC                      |             |                    | 910-J 1/6W           | nsp            | Q205SC                     |             |                    | TRS.2SC,KSC1845F T092                           | *HT300860R     |
| R235SL                      |             |                    | 910-J 1/6W           | nsp            | Q205SL                     |             |                    | TRS.2SC,KSC1845F T092                           | *HT300860R     |
| R235SR                      |             |                    | 910-J 1/6W           | nsp            | Q205SR                     |             |                    | TRS.2SC,KSC1845F T092                           | *HT300860R     |
| R236C                       |             |                    | 6.8K-J 1/6W          | nsp            | Q206C                      |             |                    | TRS.2SC,KSC1845F T092                           | *HT300860R     |
| R236L                       |             |                    | 6.8K-J 1/6W          | nsp            | Q206L                      |             |                    | TRS.2SC,KSC1845F T092                           | *HT300860R     |
| R236R                       |             |                    | 6.8K-J 1/6W          | nsp            | Q206R                      |             |                    | TRS.2SC,KSC1845F T092                           | *HT300860R     |
| R236SC                      |             |                    | 6.8K-J 1/6W          | nsp            | Q206SC                     |             |                    | TRS.2SC,KSC1845F T092                           | *HT300860R     |
| R236SL                      |             |                    | 6.8K-J 1/6W          | nsp            | Q206SL                     |             |                    | TRS.2SC,KSC1845F T092                           | *HT300860R     |
| R236SR                      |             |                    | 6.8K-J 1/6W          | nsp            | Q206SR                     |             |                    | TRS.2SC,KSC1845F T092                           | *HT300860R     |
| R237C                       |             |                    | RES MF 10Ω 1W        | GA05100010     | Q207C                      |             |                    | TRS.2SA,KSA992F T092                            | *HT100590R     |
| R237L                       |             |                    | 39-J 1/6W            | nsp            | Q207L                      |             |                    | TRS.2SA,KSA992F T092                            | *HT100590R     |
| R237R                       |             |                    | 39-J 1/6W            | nsp            | Q207R                      |             |                    | TRS.2SA,KSA992F T092                            | *HT100590R     |
| R237SC                      |             |                    | RES MF 10Ω 1W        | GA05100010     | Q207SC                     |             |                    | TRS.2SA,KSA992F T092                            | *HT100590R     |
| R237SL                      |             |                    | 39-J 1/6W            | nsp            | Q207SL                     |             |                    | TRS.2SA,KSA992F T092                            | *HT100590R     |
| R237SR                      |             |                    | 39-J 1/6W            | nsp            | Q207SR                     |             |                    | TRS.2SA,KSA992F T092                            | *HT100590R     |
| R238L                       |             |                    | 39-J 1/6W            | nsp            | Q208C                      |             |                    | TRS.2SA,KTA1024Y T092L                          | HT112082A0     |
| R238R                       |             |                    | 39-J 1/6W            | nsp            | Q208L                      |             |                    | TRS.2SA,KTA1024Y T092L                          | HT112082A0     |
| R238SL                      |             |                    | 39-J 1/6W            | nsp            | Q208R                      |             |                    | TRS.2SA,KTA1024Y T092L                          | HT112082A0     |
| R238SR                      |             |                    | 39-J 1/6W            | nsp            | Q208SC                     |             |                    | TRS.2SA,KTA1024Y T092L                          | HT112082A0     |
| R239L                       |             |                    | 39-J 1/6W            | nsp            | Q208SL                     |             |                    | TRS.2SA,KTA1024Y T092L                          | HT112082A0     |
| R239R                       |             |                    | 39-J 1/6W            | nsp            | Q208SR                     |             |                    | TRS.2SA,KTA1024Y T092L                          | HT112082A0     |
| R239SL                      |             |                    | 39-J 1/6W            | nsp            | Q209C                      |             |                    | TRS.2SC,KTC3206Y T092L                          | HT322292A0     |
| R239SR                      |             |                    | 39-J 1/6W            | nsp            | Q209L                      |             |                    | TRS.2SC,KTC3206Y T092L                          | HT322292A0     |
| R240L                       |             |                    | 39-J 1/6W            | nsp            | Q209R                      |             |                    | TRS.2SC,KTC3206Y T092L                          | HT322292A0     |
| R240R                       |             |                    | 39-J 1/6W            | nsp            | Q209SC                     |             |                    | TRS.2SC,KTC3206Y T092L                          | HT322292A0     |
| R240SL                      |             |                    | 39-J 1/6W            | nsp            | Q209SL                     |             |                    | TRS.2SC,KTC3206Y T092L                          | HT322292A0     |
| R240SR                      |             |                    | 39-J 1/6W            | nsp            | Q209SR                     |             |                    | TRS.2SC,KTC3206Y T092L                          | HT322292A0     |
| <b>AMP - SEMICONDUCTORS</b> |             |                    |                      |                | Q219C                      |             |                    | TRS.2SB,SAP16P                                  | *HT200410R     |
| D202C                       |             |                    | DIODE,1SS133T        | HD20015210     | Q219FL                     |             |                    | TRS.2SB,SAP16P                                  | *HT200410R     |
| D202L                       |             |                    | DIODE,1SS133T        | HD20015210     | Q219FR                     |             |                    | TRS.2SB,SAP16P                                  | *HT200410R     |
| D202R                       |             |                    | DIODE,1SS133T        | HD20015210     | Q219SC                     |             |                    | TRS.2SB,SAP16P                                  | *HT200410R     |
| D202SC                      |             |                    | DIODE,1SS133T        | HD20015210     | Q219SL                     |             |                    | TRS.2SB,SAP16P                                  | *HT200410R     |
| D202SL                      |             |                    | DIODE,1SS133T        | HD20015210     | Q219SR                     |             |                    | TRS.2SB,SAP16P                                  | *HT200410R     |
| D202SR                      |             |                    | DIODE,1SS133T        | HD20015210     | Q214C                      |             |                    | TRS.2SD,SAP16N                                  | *HT400480R     |
| Q201C                       |             |                    | TRS.2SA,KSA992F T092 | *HT100590R     | Q214FL                     |             |                    | TRS.2SD,SAP16N                                  | *HT400480R     |
| Q201L                       |             |                    | TRS.2SA,KSA992F T092 | *HT100590R     | Q214FR                     |             |                    | TRS.2SD,SAP16N                                  | *HT400480R     |
| Q201R                       |             |                    | TRS.2SA,KSA992F T092 | *HT100590R     | Q214SC                     |             |                    | TRS.2SD,SAP16N                                  | *HT400480R     |
| Q201SC                      |             |                    | TRS.2SA,KSA992F T092 | *HT100590R     | Q214SL                     |             |                    | TRS.2SD,SAP16N                                  | *HT400480R     |
| Q201SL                      |             |                    | TRS.2SA,KSA992F T092 | *HT100590R     | Q214SR                     |             |                    | TRS.2SD,SAP16N                                  | *HT400480R     |
| Q201SR                      |             |                    | TRS.2SA,KSA992F T092 | *HT100590R     | Q215C                      |             |                    | TRS.2SC,KSC1845F T092                           | *HT300860R     |
| Q202C                       |             |                    | TRS.2SA,KSA992F T092 | *HT100590R     | Q215L                      |             |                    | TRS.2SC,KSC1845F T092                           | *HT300860R     |
| Q202L                       |             |                    | TRS.2SA,KSA992F T092 | *HT100590R     | Q215R                      |             |                    | TRS.2SC,KSC1845F T092                           | *HT300860R     |
| Q202R                       |             |                    | TRS.2SA,KSA992F T092 | *HT100590R     | Q215SC                     |             |                    | TRS.2SC,KSC1845F T092                           | *HT300860R     |
| Q202SC                      |             |                    | TRS.2SA,KSA992F T092 | *HT100590R     | Q215SL                     |             |                    | TRS.2SC,KSC1845F T092                           | *HT300860R     |
| Q202SL                      |             |                    | TRS.2SA,KSA992F T092 | *HT100590R     | Q215SR                     |             |                    | TRS.2SC,KSC1845F T092                           | *HT300860R     |
| Q202SR                      |             |                    | TRS.2SA,KSA992F T092 | *HT100590R     | <b>AMP - MISCELLANEOUS</b> |             |                    |   |                |
| Q203C                       |             |                    | TRS.2SA,KSA992F T092 | *HT100590R     | CP201                      |             |                    | CN.WAFER 2.0MM,<br>GIL-S-12P-S2T2-EF            | nsp            |
| Q203L                       |             |                    | TRS.2SA,KSA992F T092 | *HT100590R     | L201C                      |             |                    | COIL FILTER-INDUCTOR,<br>INDUCTOR COIL J9000031 | *LC106490R     |
| Q203R                       |             |                    | TRS.2SA,KSA992F T092 | *HT100590R     | L201L                      |             |                    | COIL FILTER-INDUCTOR,<br>INDUCTOR COIL J9000031 | *LC106490R     |
| Q203SC                      |             |                    | TRS.2SA,KSA992F T092 | *HT100590R     |                            |             |                    |   |                |
| Q203SL                      |             |                    | TRS.2SA,KSA992F T092 | *HT100590R     |                            |             |                    |   |                |
| Q203SR                      |             |                    | TRS.2SA,KSA992F T092 | *HT100590R     |                            |             |                    |   |                |

NOTE : \*nsp\* PART IS LISTED FOR REFERENCE ONLY, MARANTZ WILL NOT SUPPLY THESE PARTS.

PS5200

| POS. NO | VERS. COLOR | PART NO. (FOR PCS) | DESCRIPTION                                  | PART NO. (MJI) | POS. NO | VERS. COLOR | PART NO. (FOR PCS) | DESCRIPTION                             | PART NO. (MJI) |
|---------|-------------|--------------------|--|----------------|---------|-------------|--------------------|---|----------------|
| L201R   |             |                    | COIL FILTER-INDUCTOR, INDUCTOR COIL J9000031 | *LC106490R     | R329    |             |                    | 820-J 1/6W                              | nsp            |
| L201SC  |             |                    | COIL FILTER-INDUCTOR, INDUCTOR COIL J9000031 | *LC106490R     | R330    |             |                    | 1.5K-J 1/6W                             | nsp            |
| L201SL  |             |                    | COIL FILTER-INDUCTOR, INDUCTOR COIL J9000031 | *LC106490R     | R332    |             |                    | 1K-J 1/6W                               | nsp            |
| L201SR  |             |                    | COIL FILTER-INDUCTOR, INDUCTOR COIL J9000031 | *LC106490R     | R333    |             |                    | 10K-J 1/6W                              | nsp            |
|         |             |                    |  |                | R334    |             |                    |   |                |
|         |             |                    |  |                | §       |             |                    | 1K-J 1/6W                               | nsp            |
|         |             |                    |  |                | R338    |             |                    |   |                |
|         |             |                    |  |                | R340    |             |                    | 330-J 1/6W                              | nsp            |
|         |             |                    |  |                | R341    |             |                    | 330-J 1/6W                              | nsp            |
|         |             |                    |  |                | R342    |             |                    | 47K-J 1/6W                              | nsp            |
|         |             |                    |  |                | R343    |             |                    | 75-J 1/6W                               | nsp            |
| C301    |             |                    | ELECT,47µF-M/10V 5*11                        | nsp            | R344    |             |                    | 75-J 1/6W                               | nsp            |
| C302    |             |                    | CER.,0.022µF-Z/25V                           | nsp            | R345    |             |                    | 75-J 1/6W                               | nsp            |
| C303    |             |                    | CER.,0.047µF-Z/50V                           | nsp            | R346    |             |                    | 47K-J 1/6W                              | nsp            |
| C304    |             |                    | CER.,100pF-K/50V                             | nsp            | R347    |             |                    | 470-J 1/6W                              | nsp            |
| C305    |             |                    | ELECT,10µF-M/50V 5*11                        | nsp            | R348    |             |                    | 100K-J 1/6W                             | nsp            |
| C306    |             |                    | CER.,0.047µF-Z/50V                           | nsp            | R349    |             |                    | 10K-J 1/6W                              | nsp            |
| C307    |             |                    | ELECT,10µF-M/50V 5*11                        | nsp            | R350    |             |                    | 100K-J 1/6W                             | nsp            |
| C308    |             |                    | CER.,0.022µF-Z/25V                           | nsp            | R351    |             |                    | 47K-J 1/6W                              | nsp            |
| C309    |             |                    | CER.,100pF-K/50V                             | nsp            | R352    |             |                    | 470-J 1/6W                              | nsp            |
| C310    |             |                    | CER.,0.047µF-Z/50V                           | nsp            | R353    |             |                    | 2.2K-J 1/6W                             | nsp            |
| C311    |             |                    | CER.,100pF-K/50V                             | nsp            | R354    |             |                    | 330-J 1/6W                              | nsp            |
| C312    |             |                    | CER.,100pF-K/50V                             | nsp            | R356    |             |                    | 24K-J 1/6W                              | nsp            |
| C313    |             |                    | ELECT,10µF-M/50V 5*11                        | nsp            | R357    |             |                    | 24K-J 1/6W                              | nsp            |
| C314    |             |                    | ELECT,10µF-M/50V 5*11                        | nsp            | R359    |             |                    | 24K-J 1/6W                              | nsp            |
| C315    |             |                    | CER.,B820pF-K/50V                            | nsp            |         |             |                    |   |                |
| C316    |             |                    | CER.,B820pF-K/50V                            | nsp            |         |             |                    |   |                |
| C317    |             |                    | ELECT,10µF-M/50V 5*11                        | nsp            |         |             |                    |   |                |
| C318    |             |                    |  |                |         |             |                    |   |                |
| §       |             |                    |  |                | D301    |             |                    | FRONT - SEMICONDUCTORS                  |                |
|         |             |                    |  |                | D317    |             |                    | DIODE,1SS133T                           | HD20015210     |
| C321    |             |                    | CER.,100pF-K/50V                             | nsp            | D318    |             |                    | DIODE,1SS133T                           | HD20015210     |
| C322    |             |                    |  |                | D319    |             |                    | LED ROUND,R-34URCF25                    | *HI100710R     |
| C323    |             |                    | CER.,0.1µF-Z/50V                             | nsp            | D320    |             |                    | LED ROUND,R-34URCF25                    | *HI100710R     |
| C381SC  |             |                    | CN WIRE1P,JUMPER(0.6/52MM)                   | nsp            | D328    |             |                    | LED ROUND,R-34URCF25                    | *HI100710R     |
| C381SY  |             |                    | CN WIRE1P,JUMPER(0.6/52MM)                   | nsp            | D332    |             |                    | D ZENER,MTZJ11B                         | *HD301990R     |
|         |             |                    |  |                | §       |             |                    |   |                |
|         |             |                    |  |                | D337    |             |                    | DIODE,1SS133T                           | HD20015210     |
|         |             |                    |  |                | IC301   |             |                    | IC,LC75721E QIP64                       | *HC107290R     |
| R301    |             |                    | FRONT - RESISTORS                            |                | Q301    |             |                    | TRS.RC,KRC107M TO92M                    | *BA001190R     |
| R302    |             |                    | 68K-J 1/6W                                   | nsp            | Q302    |             |                    | TRS.RA,KRA111M TO92M                    | *BA001200R     |
| R303    |             |                    | 68K-J 1/6W                                   | nsp            | Q304    |             |                    | TRS.RC,KRC107M TO92M                    | *BA001190R     |
| R304    |             |                    | 330-J 1/6W                                   | nsp            | Q305    |             |                    | TRS.RC,KRC107M TO92M                    | *BA001190R     |
| R305    |             |                    | 100-J 1/6W                                   | nsp            | Q306    |             |                    | TRS.RC,KRC107M TO92M                    | *BA001190R     |
| R306    |             |                    | 120-J 1/6W                                   | nsp            | Q309    |             |                    | TRS.2SC,KTC3200BL TO92                  | HT322402A0     |
| R307    |             |                    | 150-J 1/6W                                   | nsp            |         |             |                    |   |                |
| R308    |             |                    | 150-J 1/6W                                   | nsp            |         |             |                    |   |                |
| R309    |             |                    | 270-J 1/6W                                   | nsp            |         |             |                    |   |                |
| R310    |             |                    | 270-J 1/6W                                   | nsp            | CN301   |             |                    | FRONT - MISCELLANEOUS                   |                |
| R311    |             |                    | 470-J 1/6W                                   | nsp            | CN303   |             |                    | CN WIRE,450/9P                          | nsp            |
| R312    |             |                    | 820-J 1/6W                                   | nsp            | CN304   |             |                    | CN WIRE,100MM/4P                        | nsp            |
| R313    |             |                    | 1K-J 1/6W                                    | nsp            | CN305   |             |                    | CN WIRE,470MM/5P                        | nsp            |
| R314    |             |                    | 120-J 1/6W                                   | nsp            | CN305   |             |                    | CN WIRE,80/3P                           | nsp            |
| R315    |             |                    | 150-J 1/6W                                   | nsp            | FPC109B |             |                    | CN.FP1.25MM,52492-2320 23P              | nsp            |
| R316    |             |                    | 150-J 1/6W                                   | nsp            | L302    |             |                    | COIL FILTER-INDUCTOR, 10UH-Q40/24M 02TB | nsp            |
| R317    |             |                    | 270-J 1/6W                                   | nsp            | SILD    |             |                    | SUPPORTER,FRONT GND                     | nsp            |
| R318    |             |                    | 270-J 1/6W                                   | nsp            | SW309   |             |                    |   |                |
| R319    |             |                    | 470-J 1/6W                                   | nsp            | §       |             |                    |   |                |
| R322    |             |                    | 820-J 1/6W                                   | nsp            | SW324   |             |                    | SW TACT, SKHV10920A 5MM/260G            | *SP00900R      |
| R323    |             |                    | 1K-J 1/6W                                    | nsp            |         |             |                    |   |                |
| R324    |             |                    | 120-J 1/6W                                   | nsp            |         |             |                    |   |                |
| R325    |             |                    | 150-J 1/6W                                   | nsp            |         |             |                    |   |                |
| R326    |             |                    | 150-J 1/6W                                   | nsp            |         |             |                    |   |                |
| R327    |             |                    | 270-J 1/6W                                   | nsp            |         |             |                    |   |                |
| R328    |             |                    | 270-J 1/6W                                   | nsp            | C371    |             |                    | ST-BY LED CIRCUIT BOARD                 |                |
|         |             |                    | 470-J 1/6W                                   | nsp            | C372    |             |                    | ST-BY LED - CAPACITORS                  |                |
|         |             |                    |  |                |         |             |                    | CER.,B820pF-K/50V                       | nsp            |
|         |             |                    |  |                |         |             |                    | CER.,B820pF-K/50V                       | nsp            |

NOTE : \*nsp\* PART IS LISTED FOR REFERENCE ONLY, MARANTZ WILL NOT SUPPLY THESE PARTS.





PS5200

| POS. NO | VERS. COLOR | PART NO. (FOR PCS) | DESCRIPTION                | PART NO. (MJI) | POS. NO | VERS. COLOR | PART NO. (FOR PCS) | DESCRIPTION                | PART NO. (MJI) |
|---------|-------------|--------------------|----------------------------|----------------|---------|-------------|--------------------|----------------------------|----------------|
| C515SC  |             |                    | CER.CHIP,100pF-J/50V-1608  | nsp            | C588    |             |                    | ELECT,10µF-M/50V 5*11      | nsp            |
| C515SL  |             |                    | CER.CHIP,100pF-J/50V-1608  | nsp            | C589    |             |                    | ELECT,47µF-M/50V 6.3*11    | nsp            |
| C515SR  |             |                    | CER.CHIP,100pF-J/50V-1608  | nsp            | C590    |             |                    | ELECT,47µF-M/50V 6.3*11    | nsp            |
| C515SW  |             |                    | CER.CHIP,100pF-J/50V-1608  | nsp            | C591    |             |                    | CER.CHIP,47pF-J/50V-1608   | nsp            |
| C528C   |             |                    | ELECT,4.7µF-M/16V 5*11     | nsp            | C592    |             |                    | CER.CHIP,47pF-J/50V-1608   | nsp            |
| C528FL  |             |                    | ELECT,4.7µF-M/16V 5*11     | nsp            | C593    |             |                    | CER.CHIP,0.1µF-Z/50V-1608  | nsp            |
| C528FR  |             |                    | ELECT,4.7µF-M/16V 5*11     | nsp            | C594    |             |                    | CER.CHIP,0.1µF-Z/50V-1608  | nsp            |
| C528SC  |             |                    | ELECT,4.7µF-M/16V 5*11     | nsp            | C595    |             |                    | CER.CHIP,47pF-J/50V-1608   | nsp            |
| C528SL  |             |                    | ELECT,4.7µF-M/16V 5*11     | nsp            | C596    |             |                    | CER.CHIP,47pF-J/50V-1608   | nsp            |
| C528SR  |             |                    | ELECT,4.7µF-M/16V 5*11     | nsp            | C597    |             |                    |                            |                |
| C528SW  |             |                    | ELECT,4.7µF-M/16V 5*11     | nsp            | 5       |             |                    | ELECT,10µF-M/50V 5*11      | nsp            |
| C533C   |             |                    | CER.CHIP,100pF-J/50V-1608  | nsp            | C600    |             |                    |                            |                |
| C533FL  |             |                    | CER.CHIP,100pF-J/50V-1608  | nsp            | C601    |             |                    | CER.CHIP,0.1µF-Z/50V-1608  | nsp            |
| C533FR  |             |                    | CER.CHIP,100pF-J/50V-1608  | nsp            |         |             |                    |                            |                |
| C533SC  |             |                    | CER.CHIP,100pF-J/50V-1608  | nsp            |         |             |                    | VOLUME - RESISTORS         |                |
| C533SL  |             |                    | CER.CHIP,100pF-J/50V-1608  | nsp            | R501    |             |                    | CHIP,560-J 1/16W-1608      | nsp            |
| C533SR  |             |                    | CER.CHIP,100pF-J/50V-1608  | nsp            | R502    |             |                    | CHIP,560-J 1/16W-1608      | nsp            |
| C533SW  |             |                    | CER.CHIP,1200pF-K/50V-1608 | nsp            | R503    |             |                    | 4.7-J 1/6W                 | nsp            |
|         |             |                    |                            |                | R504    |             |                    | 4.7-J 1/6W                 | nsp            |
| C541C   |             |                    | CER.CHIP,100pF-J/50V-1608  | nsp            | R505    |             |                    | CNWIREFIP,JUMPER(0.6/52MM) | nsp            |
| C541FL  |             |                    | CER.CHIP,100pF-J/50V-1608  | nsp            | R506    |             |                    | CNWIREFIP,JUMPER(0.6/52MM) | nsp            |
| C541FR  |             |                    | CER.CHIP,100pF-J/50V-1608  | nsp            | R507C   |             |                    | CHIP,1K-J 1/16W-1608       | nsp            |
| C541SC  |             |                    | CER.CHIP,100pF-J/50V-1608  | nsp            | R507FL  |             |                    | CHIP,1K-J 1/16W-1608       | nsp            |
| C541SL  |             |                    | CER.CHIP,100pF-J/50V-1608  | nsp            | R507FR  |             |                    | CHIP,1K-J 1/16W-1608       | nsp            |
| C541SR  |             |                    | CER.CHIP,100pF-J/50V-1608  | nsp            | R507SC  |             |                    | CHIP,1K-J 1/16W-1608       | nsp            |
| C541SW  |             |                    | CER.CHIP,100pF-J/50V-1608  | nsp            | R507SL  |             |                    | CHIP,1K-J 1/16W-1608       | nsp            |
| C543    |             |                    | CER.CHIP,0.1µF-Z/50V-1608  | nsp            | R507SR  |             |                    | CHIP,1K-J 1/16W-1608       | nsp            |
| C544    |             |                    | CER.CHIP,0.1µF-Z/50V-1608  | nsp            | R507SW  |             |                    | CHIP,1K-J 1/16W-1608       | nsp            |
| C545A   |             |                    | CER.CHIP,1000pF-K/50V-1608 | nsp            | R512C   |             |                    | CHIP,220-J 1/16W-1608      | nsp            |
| C545C   |             |                    | ELECT,4.7µF-M/16V 5*11     | nsp            | R512FL  |             |                    | CHIP,1K-J 1/16W-1608       | nsp            |
| C545FL  |             |                    | ELECT,4.7µF-M/16V 5*11     | nsp            | R512FR  |             |                    | CHIP,1K-J 1/16W-1608       | nsp            |
| C545FR  |             |                    | ELECT,4.7µF-M/16V 5*11     | nsp            | R512SC  |             |                    | CHIP,220-J 1/16W-1608      | nsp            |
| C545SC  |             |                    | ELECT,4.7µF-M/16V 5*11     | nsp            | R512SL  |             |                    | CHIP,220-J 1/16W-1608      | nsp            |
| C545SL  |             |                    | ELECT,4.7µF-M/16V 5*11     | nsp            | R512SR  |             |                    | CHIP,220-J 1/16W-1608      | nsp            |
| C545SR  |             |                    | ELECT,4.7µF-M/16V 5*11     | nsp            | R512SW  |             |                    | CHIP,220-J 1/16W-1608      | nsp            |
| C545SW  |             |                    | ELECT,4.7µF-M/16V 5*11     | nsp            |         |             |                    |                            |                |
| C546A   |             |                    | CER.CHIP,1000pF-K/50V-1608 | nsp            | R515    |             |                    | CHIP,10K-J 1/16W-1608      | nsp            |
| C552    |             |                    |                            |                | R516C   |             |                    | CHIP,470K-J 1/16W-1608     | nsp            |
| 5       |             |                    | CER.CHIP,0.1µF-Z/50V-1608  | nsp            | R516FL  |             |                    | CHIP,100K-J 1/16W-1608     | nsp            |
| C556    |             |                    |                            |                | R516FR  |             |                    | CHIP,100K-J 1/16W-1608     | nsp            |
| C557    |             |                    |                            |                | R516SC  |             |                    | CHIP,470K-J 1/16W-1608     | nsp            |
| 5       |             |                    | ELECT,47µF-M/25V 5*11      | nsp            | R516SL  |             |                    | CHIP,470K-J 1/16W-1608     | nsp            |
| C560    |             |                    |                            |                | R516SR  |             |                    | CHIP,470K-J 1/16W-1608     | nsp            |
| C561    |             |                    |                            |                | R516SW  |             |                    | CHIP,1.5K-J 1/16W-1608     | nsp            |
| 5       |             |                    | CER.CHIP,0.1µF-Z/50V-1608  | nsp            | R525    |             |                    | 10K-J 1/6W                 | nsp            |
| C564    |             |                    |                            |                | R526    |             |                    | 10K-J 1/6W                 | nsp            |
| C565    |             |                    | ELECT,47µF-M/25V 5*11      | nsp            | R527    |             |                    | CHIP,10K-J 1/16W-1608      | nsp            |
| C566    |             |                    | ELECT,47µF-M/25V 5*11      | nsp            | R528    |             |                    | 10K-J 1/6W                 | nsp            |
| C567    |             |                    | CER.CHIP,0.1µF-Z/50V-1608  | nsp            | R529    |             |                    | CHIP,10K-J 1/16W-1608      | nsp            |
| C568    |             |                    | CER.CHIP,0.1µF-Z/50V-1608  | nsp            | R530    |             |                    | CHIP,10K-J 1/16W-1608      | nsp            |
| C571C   |             |                    | ELECT,4.7µF-M/16V 5*11     | nsp            | R532    |             |                    | CHIP,22K-J 1/16W-1608      | nsp            |
| C571FL  |             |                    | ELECT,4.7µF-M/16V 5*11     | nsp            | R536C   |             |                    | CHIP,470-J 1/16W-1608      | nsp            |
| C571FR  |             |                    | ELECT,4.7µF-M/16V 5*11     | nsp            | R536FL  |             |                    | CHIP,470-J 1/16W-1608      | nsp            |
| C571SC  |             |                    | ELECT,4.7µF-M/16V 5*11     | nsp            | R536FR  |             |                    | CHIP,470-J 1/16W-1608      | nsp            |
| C571SL  |             |                    | ELECT,4.7µF-M/16V 5*11     | nsp            | R536SC  |             |                    | CHIP,470-J 1/16W-1608      | nsp            |
| C571SR  |             |                    | ELECT,4.7µF-M/16V 5*11     | nsp            | R536SL  |             |                    | CHIP,470-J 1/16W-1608      | nsp            |
| C571SW  |             |                    | ELECT,4.7µF-M/16V 5*11     | nsp            | R536SR  |             |                    | CHIP,470-J 1/16W-1608      | nsp            |
| C576    |             |                    |                            |                | R536SW  |             |                    | CHIP,470-J 1/16W-1608      | nsp            |
| 5       |             |                    | CER.CHIP,100pF-J/50V-1608  | nsp            | R537    |             |                    | 22K-J 1/6W                 | nsp            |
| C584    |             |                    |                            |                | R538    |             |                    | CHIP,22K-J 1/16W-1608      | nsp            |
| C585    |             |                    | CER.CHIP,0.1µF-Z/50V-1608  | nsp            | R539    |             |                    | 22K-J 1/6W                 | nsp            |
| C586    |             |                    | CER.CHIP,0.1µF-Z/50V-1608  | nsp            | R540    |             |                    | 22K-J 1/6W                 | nsp            |
| C587    |             |                    | ELECT,10µF-M/50V 5*11      | nsp            | R541    |             |                    | CHIP,22K-J 1/16W-1608      | nsp            |

NOTE : \*nsp\* PART IS LISTED FOR REFERENCE ONLY, MARANTZ WILL NOT SUPPLY THESE PARTS.

PS5200

| POS. NO | VERS. COLOR | PART NO. (FOR PCS) | DESCRIPTION            | PART NO. (MJI) | POS. NO | VERS. COLOR | PART NO. (FOR PCS) | DESCRIPTION               | PART NO. (MJI) |
|---------|-------------|--------------------|------------------------|----------------|---------|-------------|--------------------|---------------------------|----------------|
| R542    |             |                    | CHIP,22K-J 1/16W-1608  | nsp            | R606    |             |                    | CHIP,4.7K-J 1/16W-1608    | nsp            |
| R543    |             |                    |                        |                | R607    |             |                    |                           |                |
| 5       |             |                    | 100K-J 1/6W            | nsp            | 5       |             |                    | CHIP,10K-J 1/16W-1608     | nsp            |
| R547    |             |                    |                        |                | R612    |             |                    |                           |                |
| R549C   |             |                    | CHIP,470K-J 1/16W-1608 | nsp            | R613    |             |                    | CHIP,47K-J 1/16W-1608     | nsp            |
| R549FL  |             |                    | CHIP,470K-J 1/16W-1608 | nsp            | R614    |             |                    | CHIP,47K-J 1/16W-1608     | nsp            |
| R549FR  |             |                    | CHIP,470K-J 1/16W-1608 | nsp            | R615    |             |                    |                           |                |
| R549SC  |             |                    | CHIP,470K-J 1/16W-1608 | nsp            | 5       |             |                    | CHIP,10K-J 1/16W-1608     | nsp            |
| R549SL  |             |                    | CHIP,470K-J 1/16W-1608 | nsp            | R618    |             |                    |                           |                |
| R549SR  |             |                    | CHIP,470K-J 1/16W-1608 | nsp            | R619    |             |                    | CHIP,100K-J 1/16W-1608    | nsp            |
| R549SW  |             |                    | 470K-J 1/6W            | nsp            | R620    |             |                    | CHIP,100K-J 1/16W-1608    | nsp            |
| R559C   |             |                    | CHIP,470-J 1/16W-1608  | nsp            |         |             |                    |                           |                |
| R559FL  |             |                    | CHIP,470-J 1/16W-1608  | nsp            |         |             |                    | VOLUME - SEMICONDUCTORS   |                |
| R559FR  |             |                    | CHIP,470-J 1/16W-1608  | nsp            | D501    |             |                    |                           |                |
| R559SC  |             |                    | CHIP,470-J 1/16W-1608  | nsp            | 5       |             |                    | DIODE,1SS133T             | HD20015210     |
| R559SL  |             |                    | CHIP,470-J 1/16W-1608  | nsp            | D512    |             |                    |                           |                |
| R559SR  |             |                    | CHIP,470-J 1/16W-1608  | nsp            | IC501   |             |                    | IC,KIC9459F SOP24P        | HC10449050     |
| R559SW  |             |                    | CHIP,470-J 1/16W-1608  | nsp            | IC502   |             |                    | IC,KIC9482F FLP28         | *HC107280R     |
| R567C   |             |                    | CHIP,3K-J 1/16W-1608   | nsp            | IC505   |             |                    |                           |                |
| R567FL  |             |                    | CHIP,3K-J 1/16W-1608   | nsp            | 5       |             |                    | IC,NJM2068M SOP8P         | HC10102090     |
| R567FR  |             |                    | CHIP,3K-J 1/16W-1608   | nsp            | IC512   |             |                    |                           |                |
| R567SC  |             |                    | CHIP,3K-J 1/16W-1608   | nsp            | IC513   |             |                    | IC,NJU7313AL SDIP28P      | HC10125090     |
| R567SL  |             |                    | CHIP,3K-J 1/16W-1608   | nsp            | IC514   |             |                    | IC,BU4053BCF SOP16P       | HC405321Z0     |
| R567SR  |             |                    | CHIP,3K-J 1/16W-1608   | nsp            | Q501    |             |                    |                           |                |
| R567SW  |             |                    | CHIP,5.1K-J 1/16W-1608 | nsp            | 5       |             |                    | TRS.2SC,KTC2874B TO92     | *HT300880R     |
|         |             |                    |                        |                | Q514    |             |                    |                           |                |
| R569C   |             |                    | CHIP,1.2K-J 1/16W-1608 | nsp            |         |             |                    |                           |                |
| R569FL  |             |                    | CHIP,1.2K-J 1/16W-1608 | nsp            |         |             |                    | VOLUME - MISCELLANEOUS    |                |
| R569FR  |             |                    | CHIP,1.2K-J 1/16W-1608 | nsp            | CN114   |             |                    | CN.WAFER 2.0MM,           | nsp            |
| R569SC  |             |                    | CHIP,1.2K-J 1/16W-1608 | nsp            |         |             |                    | TUC-P15X-B1 HOUSING ST    |                |
| R569SL  |             |                    | CHIP,1.2K-J 1/16W-1608 | nsp            | CN115   |             |                    | CN.WAFER 2.0MM,           | nsp            |
| R569SR  |             |                    | CHIP,1.2K-J 1/16W-1608 | nsp            |         |             |                    | TUC-P20X-B1 HOUSING ST    |                |
| R569SW  |             |                    | CHIP,1.2K-J 1/16W-1608 | nsp            | CP503   |             |                    | CN WIRE,220MM/12P         | nsp            |
| R582C   |             |                    | CHIP,470K-J 1/16W-1608 | nsp            |         |             |                    |                           |                |
| R582FL  |             |                    | CHIP,470K-J 1/16W-1608 | nsp            |         |             |                    | DSP CIRCUIT BOARD         |                |
| R582FR  |             |                    | CHIP,470K-J 1/16W-1608 | nsp            |         |             |                    | DSP - CAPACITORS          |                |
| R582SC  |             |                    | CHIP,470K-J 1/16W-1608 | nsp            | C701    |             |                    |                           |                |
| R582SL  |             |                    | CHIP,470K-J 1/16W-1608 | nsp            | 5       |             |                    | CER.CHIP,0.1µF-K/50V-1608 | nsp            |
| R582SR  |             |                    | CHIP,470K-J 1/16W-1608 | nsp            | C705    |             |                    |                           |                |
| R582SW  |             |                    | CHIP,470K-J 1/16W-1608 | nsp            | C706    |             |                    | ELECT,47µF-M/10V 5*11     | nsp            |
| R589C   |             |                    | CHIP,470-J 1/16W-1608  | nsp            | C707    |             |                    | CER.CHIP,22pF-J/50V-1608  | nsp            |
| R589FL  |             |                    | CHIP,470-J 1/16W-1608  | nsp            | C708    |             |                    | CER.CHIP,0.1µF-K/50V-1608 | nsp            |
| R589FR  |             |                    | CHIP,470-J 1/16W-1608  | nsp            | C709    |             |                    | ELECT,47µF-M/10V 5*11     | nsp            |
| R589SC  |             |                    | CHIP,470-J 1/16W-1608  | nsp            | C710    |             |                    | CER.CHIP,22pF-J/50V-1608  | nsp            |
| R589SL  |             |                    | CHIP,470-J 1/16W-1608  | nsp            | C711    |             |                    | CER.CHIP,22pF-J/50V-1608  | nsp            |
| R589SR  |             |                    | CHIP,470-J 1/16W-1608  | nsp            | C712    |             |                    | ELECT,47µF-M/10V 5*11     | nsp            |
| R589SW  |             |                    | CHIP,470-J 1/16W-1608  | nsp            | C713    |             |                    | CER.CHIP,0.1µF-K/50V-1608 | nsp            |
|         |             |                    |                        |                | C718    |             |                    | CER.CHIP,22pF-J/50V-1608  | nsp            |
| R590    |             |                    | 1K-J 1/6W              | nsp            | C719    |             |                    | ELECT,3.3µF-M/50V 5*11    | nsp            |
| R591    |             |                    | CHIP,2K-J 1/16W-1608   | nsp            | C720    |             |                    | CER.CHIP,0.1µF-K/50V-1608 | nsp            |
| R592    |             |                    | 1K-J 1/6W              | nsp            | C721    |             |                    | CER.CHIP,22pF-J/50V-1608  | nsp            |
| R593    |             |                    | CHIP,2K-J 1/16W-1608   | nsp            | C722    |             |                    | CER.CHIP,22pF-J/50V-1608  | nsp            |
| R594    |             |                    | CHIP,2K-J 1/16W-1608   | nsp            | C723    |             |                    | ELECT,3.3µF-M/50V 5*11    | nsp            |
| R595    |             |                    |                        |                | C724    |             |                    | CER.CHIP,0.1µF-K/50V-1608 | nsp            |
| 5       |             |                    |                        |                | C725    |             |                    | CER.CHIP,22pF-J/50V-1608  | nsp            |
| R598    |             |                    | 1K-J 1/6W              | nsp            | C726    |             |                    | ELECT,100µF-M/10V 5*11    | nsp            |
| R599    |             |                    | 100-J 1/6W             | nsp            | C727    |             |                    | CER.CHIP,0.1µF-K/50V-1608 | nsp            |
| R600    |             |                    | 100-J 1/6W             | nsp            | C728    |             |                    | CER.CHIP,0.1µF-K/50V-1608 | nsp            |
| R601    |             |                    | CHIP,100K-J 1/16W-1608 | nsp            | C729    |             |                    | ELECT,100µF-M/10V 5*11    | nsp            |
| R602    |             |                    | CHIP,100K-J 1/16W-1608 | nsp            | C730    |             |                    | CER.CHIP,0.1µF-K/50V-1608 | nsp            |
| R603    |             |                    | 4.7K-J 1/6W            | nsp            | C731    |             |                    | ELECT,1µF-M/50V 5*11      | nsp            |
| R604    |             |                    | 4.7K-J 1/6W            | nsp            | C732    |             |                    | ELECT,1µF-M/50V 5*11      | nsp            |
| R605    |             |                    | CHIP,4.7K-J 1/16W-1608 | nsp            | C733    |             |                    | ELECT,10µF-M/50V 5*11     | nsp            |
|         |             |                    |                        |                | C734    |             |                    | CER.CHIP,0.1µF-K/50V-1608 | nsp            |

NOTE : \*nsp\* PART IS LISTED FOR REFERENCE ONLY, MARANTZ WILL NOT SUPPLY THESE PARTS.

PS5200

| POS. NO | VERS. COLOR | PART NO. (FOR PCS) | DESCRIPTION                | PART NO. (MJI) | POS. NO | VERS. COLOR | PART NO. (FOR PCS) | DESCRIPTION                | PART NO. (MJI) |
|---------|-------------|--------------------|----------------------------|----------------|---------|-------------|--------------------|----------------------------|----------------|
| C735    |             |                    | ELECT,100µF-M/10V 5*11     | nsp            | C790    |             |                    |                            |                |
| C736    |             |                    | CER.CHIP,0.1µF-K/50V-1608  | nsp            | 5       |             |                    | CER.CHIP,0.1µF-K/50V-1608  | nsp            |
| C738    |             |                    | CER.CHIP,0.1µF-K/50V-1608  | nsp            | C794    |             |                    |                            |                |
| C739    |             |                    | CER.CHIP,0.1µF-K/50V-1608  | nsp            | C794C   |             |                    | ELECT,10µF-M/50V 5*11      | nsp            |
| C740    |             |                    | CER.CHIP,0.01µF-Z/50V-1608 | nsp            | C794FL1 |             |                    | ELECT,10µF-M/50V 5*11      | nsp            |
| C741    |             |                    | CER.CHIP,0.1µF-K/50V-1608  | nsp            | C794FL2 |             |                    | ELECT,10µF-M/50V 5*11      | nsp            |
| C742    |             |                    | CER.CHIP,0.01µF-Z/50V-1608 | nsp            | C794FR1 |             |                    | ELECT,10µF-M/50V 5*11      | nsp            |
| C743    |             |                    | CER.CHIP,0.1µF-K/50V-1608  | nsp            | C794FR2 |             |                    | ELECT,10µF-M/50V 5*11      | nsp            |
| C744    |             |                    | CER.CHIP,0.01µF-Z/50V-1608 | nsp            | C794SC  |             |                    | ELECT,10µF-M/50V 5*11      | nsp            |
| C745    |             |                    | CER.CHIP,0.1µF-K/50V-1608  | nsp            | C794SL  |             |                    | ELECT,10µF-M/50V 5*11      | nsp            |
| C746    |             |                    | ELECT,10µF-M/50V 5*11      | nsp            | C794SR  |             |                    | ELECT,10µF-M/50V 5*11      | nsp            |
| C747    |             |                    | CER.CHIP,0.1µF-K/50V-1608  | nsp            | C794SW  |             |                    | ELECT,10µF-M/50V 5*11      | nsp            |
| C748    |             |                    | CER.CHIP,27pF-J/50V-1608   | nsp            | C795    |             |                    | CER.CHIP,0.1µF-K/50V-1608  | nsp            |
| C749    |             |                    | CER.CHIP,27pF-J/50V-1608   | nsp            | C795C   |             |                    | CER.CHIP,2200pF-K/50V-1608 | nsp            |
| C750    |             |                    | CER.CHIP,1000pF-K/50V-1608 | nsp            | C795SC  |             |                    | CER.CHIP,2200pF-K/50V-1608 | nsp            |
| C751    |             |                    | CER.CHIP,0.1µF-K/50V-1608  | nsp            | C795SL  |             |                    | CER.CHIP,2200pF-K/50V-1608 | nsp            |
| C752    |             |                    | CER.CHIP,0.1µF-K/50V-1608  | nsp            | C795SR  |             |                    | CER.CHIP,2200pF-K/50V-1608 | nsp            |
| C753    |             |                    | ELECT,100µF-M/10V 5*11     | nsp            | C795SW  |             |                    | FILM,0.15µF-K/63V          | nsp            |
| C754    |             |                    | CER.CHIP,0.1µF-K/50V-1608  | nsp            |         |             |                    |                            |                |
| C755    |             |                    | CER.CHIP,0.01µF-Z/50V-1608 | nsp            | C796    |             |                    | CER.CHIP,0.1µF-K/50V-1608  | nsp            |
| C756    |             |                    | CER.CHIP,0.01µF-Z/50V-1608 | nsp            | C796FL1 |             |                    | CER.CHIP,3300pF-K/50V-1608 | nsp            |
| C757    |             |                    | ELECT,220µF-M/6.3V 6.3*1   | nsp            | C796FL2 |             |                    | CER.CHIP,3300pF-K/50V-1608 | nsp            |
| C758    |             |                    | CER.CHIP,0.1µF-K/50V-1608  | nsp            | C796FR1 |             |                    | CER.CHIP,3300pF-K/50V-1608 | nsp            |
| C759    |             |                    | CER.CHIP,470pF-J/50V-1608  | nsp            | C796FR2 |             |                    | CER.CHIP,3300pF-K/50V-1608 | nsp            |
| C760    |             |                    | ELECT,47µF-M/10V 5*11      | nsp            | C797    |             |                    | CER.CHIP,0.1µF-K/50V-1608  | nsp            |
|         |             |                    |                            |                | C797FL1 |             |                    | CER.CHIP,390pF-J/50V-1608  | nsp            |
| C761    |             |                    | CER.CHIP,0.1µF-K/50V-1608  | nsp            | C797FL2 |             |                    | CER.CHIP,390pF-J/50V-1608  | nsp            |
| C762    |             |                    | CER.CHIP,0.01µF-Z/50V-1608 | nsp            | C797FR1 |             |                    | CER.CHIP,390pF-J/50V-1608  | nsp            |
| C763    |             |                    | ELECT,2.2µF-M/50V 5*11     | nsp            | C797FR2 |             |                    | CER.CHIP,390pF-J/50V-1608  | nsp            |
| C764    |             |                    | CER.CHIP,0.1µF-K/50V-1608  | nsp            | C798C   |             |                    | CER.CHIP,1500pF-K/50V-1608 | nsp            |
| C765    |             |                    | ELECT,1µF-M/50V 5*11       | nsp            | C798SC  |             |                    | CER.CHIP,1500pF-K/50V-1608 | nsp            |
| C766    |             |                    | CER.CHIP,0.01µF-Z/50V-1608 | nsp            | C798SL  |             |                    | CER.CHIP,1500pF-K/50V-1608 | nsp            |
| C767    |             |                    | CER.CHIP,0.01µF-Z/50V-1608 | nsp            | C798SR  |             |                    | CER.CHIP,1500pF-K/50V-1608 | nsp            |
| C768    |             |                    | CER.CHIP,0.1µF-K/50V-1608  | nsp            | C798SW  |             |                    | FILM,0.018µF-K/63V         | nsp            |
| C769    |             |                    | CER.CHIP,0.1µF-K/50V-1608  | nsp            | C799C   |             |                    | ELECT,10µF-M/50V 5*11      | nsp            |
| C770    |             |                    | CER.CHIP,0.1µF-K/50V-1608  | nsp            | C799FL  |             |                    | ELECT,10µF-M/50V 5*11      | nsp            |
| C771    |             |                    | ELECT,1µF-M/50V 5*11       | nsp            | C799FR  |             |                    | ELECT,10µF-M/50V 5*11      | nsp            |
| C772    |             |                    | CER.CHIP,0.1µF-K/50V-1608  | nsp            | C799SC  |             |                    | ELECT,10µF-M/50V 5*11      | nsp            |
| C773    |             |                    | ELECT,100µF-M/10V 5*11     | nsp            | C799SL  |             |                    | ELECT,10µF-M/50V 5*11      | nsp            |
| C774    |             |                    | CER.CHIP,0.01µF-Z/50V-1608 | nsp            | C799SR  |             |                    | ELECT,10µF-M/50V 5*11      | nsp            |
| C775    |             |                    | CER.CHIP,0.1µF-K/50V-1608  | nsp            | C799SW  |             |                    | ELECT,10µF-M/50V 5*11      | nsp            |
| C776    |             |                    | ELECT,100µF-M/10V 5*11     | nsp            |         |             |                    |                            |                |
| C777    |             |                    | CER.CHIP,0.1µF-K/50V-1608  | nsp            | C800C   |             |                    | CER.CHIP,3300pF-K/50V-1608 | nsp            |
| C778    |             |                    | ELECT,100µF-M/10V 5*11     | nsp            | C800FL  |             |                    | CER.CHIP,1500pF-K/50V-1608 | nsp            |
| C779    |             |                    | CER.CHIP,0.1µF-K/50V-1608  | nsp            | C800FR  |             |                    | CER.CHIP,1500pF-K/50V-1608 | nsp            |
| C780    |             |                    | ELECT,1µF-M/50V 5*11       | nsp            | C800SC  |             |                    | CER.CHIP,3300pF-K/50V-1608 | nsp            |
| C782    |             |                    | ELECT,1µF-M/50V 5*11       | nsp            | C800SL  |             |                    | CER.CHIP,3300pF-K/50V-1608 | nsp            |
|         |             |                    |                            |                | C800SR  |             |                    | CER.CHIP,3300pF-K/50V-1608 | nsp            |
|         |             |                    |                            |                | C800SW  |             |                    | CER.CHIP,3300pF-K/50V-1608 | nsp            |
| C783AFL |             |                    | ELECT,10µF-M/50V 5*11      | nsp            | C801    |             |                    | ELECT,100µF-M/10V 5*11     | nsp            |
| C783AFR |             |                    | ELECT,10µF-M/50V 5*11      | nsp            | C802    |             |                    | CER.CHIP,0.01µF-Z/50V-1608 | nsp            |
| C784AFL |             |                    | ELECT,10µF-M/50V 5*11      | nsp            | C803    |             |                    | ELECT,1µF-M/50V 5*11       | nsp            |
| C784AFR |             |                    | ELECT,10µF-M/50V 5*11      | nsp            | C804    |             |                    | ELECT,10µF-M/50V 5*11      | nsp            |
| C785AFL |             |                    | CER.CHIP,0.1µF-K/50V-1608  | nsp            | C866    |             |                    | ELECT,100µF-M/25V 6.3*11   | nsp            |
| C785AFR |             |                    | CER.CHIP,0.1µF-K/50V-1608  | nsp            | C867    |             |                    | ELECT,100µF-M/25V 6.3*11   | nsp            |
| C786AFL |             |                    | CER.CHIP,0.1µF-K/50V-1608  | nsp            | C868    |             |                    | ELECT,10µF-M/50V 5*11      | nsp            |
| C786AFR |             |                    | CER.CHIP,0.1µF-K/50V-1608  | nsp            | C869    |             |                    | CER.CHIP,100pF-J/50V-1608  | nsp            |
| C787AFL |             |                    | CER.CHIP,100pF-J/50V-1608  | nsp            | C870    |             |                    | CER.CHIP,1000pF-K/50V-1608 | nsp            |
| C787AFR |             |                    | CER.CHIP,100pF-J/50V-1608  | nsp            | C873    |             |                    | CER.CHIP,150pF-J/50V-1608  | nsp            |
| C788AFL |             |                    | CER.CHIP,100pF-J/50V-1608  | nsp            | C875    |             |                    | CER.CHIP,0.1µF-K/50V-1608  | nsp            |
| C788AFR |             |                    | CER.CHIP,100pF-J/50V-1608  | nsp            | C876    |             |                    | CER.CHIP,27pF-J/50V-1608   | nsp            |
| C789AFL |             |                    | CER.CHIP,1000pF-K/50V-1608 | nsp            | C877    |             |                    | CER.CHIP,0.1µF-K/50V-1608  | nsp            |
| C789AFR |             |                    | CER.CHIP,1000pF-K/50V-1608 | nsp            | C878    |             |                    | CER.CHIP,0.1µF-K/50V-1608  | nsp            |

NOTE : \*nsp\* PART IS LISTED FOR REFERENCE ONLY, MARANTZ WILL NOT SUPPLY THESE PARTS.

PS5200

| POS. NO | VERS. COLOR | PART NO. (FOR PCS) | DESCRIPTION               | PART NO. (MJI) | POS. NO | VERS. COLOR | PART NO. (FOR PCS) | DESCRIPTION            | PART NO. (MJI) |
|---------|-------------|--------------------|---------------------------|----------------|---------|-------------|--------------------|------------------------|----------------|
| C879    |             |                    | CER.CHIP,0.1µF-K/50V-1608 | nsp            | R775AFL |             |                    | CHIP,47K-J 1/16W-1608  | nsp            |
|         |             |                    | DSP - RESISTORS           |                | R775AFP |             |                    | CHIP,47K-J 1/16W-1608  | nsp            |
| R701    |             |                    | CHIP,4.7K-J 1/16W-1608    | nsp            | R776AFL |             |                    | CHIP,4.7K-J 1/16W-1608 | nsp            |
| R702    |             |                    | CHIP,4.7K-J 1/16W-1608    | nsp            | R776AFP |             |                    | CHIP,4.7K-J 1/16W-1608 | nsp            |
| R703    |             |                    | CHIP,4.7K-J 1/16W-1608    | nsp            | R777AFL |             |                    | CHIP,5.6K-J 1/16W-1608 | nsp            |
| R709    |             |                    | CHIP,75-J 1/16W-1608      | nsp            | R777AFP |             |                    | CHIP,5.6K-J 1/16W-1608 | nsp            |
| R710    |             |                    | CHIP,100-J 1/16W-1608     | nsp            | R778AFL |             |                    | CHIP,10K-J 1/16W-1608  | nsp            |
| R711    |             |                    | CHIP,10K-J 1/16W-1608     | nsp            | R778AFP |             |                    | CHIP,10K-J 1/16W-1608  | nsp            |
| R712    |             |                    | CHIP,100K-J 1/16W-1608    | nsp            | R779AFL |             |                    | CHIP,330-J 1/16W-1608  | nsp            |
| R713    |             |                    | CHIP,2.2K-J 1/16W-1608    | nsp            | R779AFP |             |                    | CHIP,330-J 1/16W-1608  | nsp            |
| R714    |             |                    | CHIP,75-J 1/16W-1608      | nsp            | R780AFL |             |                    | CHIP,10K-J 1/16W-1608  | nsp            |
| R715    |             |                    | CHIP,100-J 1/16W-1608     | nsp            | R780AFP |             |                    | CHIP,10K-J 1/16W-1608  | nsp            |
| R716    |             |                    | CHIP,10K-J 1/16W-1608     | nsp            | R781AFL |             |                    | CHIP,330-J 1/16W-1608  | nsp            |
| R717    |             |                    | CHIP,100K-J 1/16W-1608    | nsp            | R781AFP |             |                    | CHIP,330-J 1/16W-1608  | nsp            |
| R718    |             |                    | CHIP,2.2K-J 1/16W-1608    | nsp            | R782C   |             |                    | CHIP,1.5K-J 1/16W-1608 | nsp            |
| R719    |             |                    | CHIP,75-J 1/16W-1608      | nsp            | R782SC  |             |                    | CHIP,1.5K-J 1/16W-1608 | nsp            |
| R720    |             |                    | CHIP,180-J 1/16W-1608     | nsp            | R782SL  |             |                    | CHIP,1.5K-J 1/16W-1608 | nsp            |
| R721    |             |                    | CHIP,91-J 1/16W-1608      | nsp            | R782SR  |             |                    | CHIP,1.5K-J 1/16W-1608 | nsp            |
| R723    |             |                    | CHIP,10K-J 1/16W-1608     | nsp            | R782SW  |             |                    | CHIP,4.7K-J 1/16W-1608 | nsp            |
| R724    |             |                    | CHIP,1M-J 1/16W-1608      | nsp            |         |             |                    |                        |                |
| R725    |             |                    |                           |                | R783FL1 |             |                    | CHIP,7.5K-J 1/16W-1608 | nsp            |
| §       |             |                    | CHIP,33-J 1/16W-1608      | nsp            | R783FL2 |             |                    | CHIP,7.5K-J 1/16W-1608 | nsp            |
| R728    |             |                    |                           |                | R783FR1 |             |                    | CHIP,7.5K-J 1/16W-1608 | nsp            |
| R729    |             |                    | CHIP,75-J 1/16W-1608      | nsp            | R783FR2 |             |                    | CHIP,7.5K-J 1/16W-1608 | nsp            |
| R730    |             |                    | CHIP,5.1K-J 1/16W-1608    | nsp            | R784FL1 |             |                    | CHIP,4.3K-J 1/16W-1608 | nsp            |
| R731    |             |                    | CHIP,3K-J 1/16W-1608      | nsp            | R784FL2 |             |                    | CHIP,4.3K-J 1/16W-1608 | nsp            |
| R732    |             |                    | CHIP,8.2K-J 1/16W-1608    | nsp            | R784FR1 |             |                    | CHIP,4.3K-J 1/16W-1608 | nsp            |
| R733    |             |                    | CHIP,100-J 1/16W-1608     | nsp            | R784FR2 |             |                    | CHIP,4.3K-J 1/16W-1608 | nsp            |
| R734    |             |                    |                           |                | R785FL1 |             |                    | CHIP,820-J 1/16W-1608  | nsp            |
| §       |             |                    | CHIP,10K-J 1/16W-1608     | nsp            | R785FL2 |             |                    | CHIP,820-J 1/16W-1608  | nsp            |
| R743    |             |                    |                           |                | R785FR1 |             |                    | CHIP,820-J 1/16W-1608  | nsp            |
| R744    |             |                    | CHIP,33-J 1/16W-1608      | nsp            | R785FR2 |             |                    | CHIP,820-J 1/16W-1608  | nsp            |
| R745    |             |                    | CHIP,4.7K-J 1/16W-1608    | nsp            | R786C   |             |                    | CHIP,1.5K-J 1/16W-1608 | nsp            |
| R748    |             |                    | CHIP,33-J 1/16W-1608      | nsp            | R786SC  |             |                    | CHIP,1.5K-J 1/16W-1608 | nsp            |
| R749    |             |                    | CHIP,4.7K-J 1/16W-1608    | nsp            | R786SL  |             |                    | CHIP,1.5K-J 1/16W-1608 | nsp            |
| R750    |             |                    | CHIP,4.7K-J 1/16W-1608    | nsp            | R786SR  |             |                    | CHIP,1.5K-J 1/16W-1608 | nsp            |
| R751    |             |                    | CHIP,33K-J 1/16W-1608     | nsp            | R786SW  |             |                    | CHIP,4.7K-J 1/16W-1608 | nsp            |
| R752    |             |                    | CHIP,10K-J 1/16W-1608     | nsp            | R787C   |             |                    | CHIP,2.7K-J 1/16W-1608 | nsp            |
| R753    |             |                    |                           |                | R787SC  |             |                    | CHIP,2.7K-J 1/16W-1608 | nsp            |
| §       |             |                    | CHIP,33-J 1/16W-1608      | nsp            | R787SL  |             |                    | CHIP,2.7K-J 1/16W-1608 | nsp            |
| R757    |             |                    |                           |                | R787SR  |             |                    | CHIP,2.7K-J 1/16W-1608 | nsp            |
| R758    |             |                    | CHIP,10K-J 1/16W-1608     | nsp            | R787SW  |             |                    | CHIP,1.2K-J 1/16W-1608 | nsp            |
| R759    |             |                    | CHIP,4.7K-J 1/16W-1608    | nsp            |         |             |                    |                        |                |
| R760    |             |                    |                           |                | R788C   |             |                    | CHIP,3.3K-J 1/16W-1608 | nsp            |
| §       |             |                    | CHIP,33-J 1/16W-1608      | nsp            | R788SC  |             |                    | CHIP,3.3K-J 1/16W-1608 | nsp            |
| R764    |             |                    |                           |                | R788SL  |             |                    | CHIP,3.3K-J 1/16W-1608 | nsp            |
| R765    |             |                    | CHIP,33K-J 1/16W-1608     | nsp            | R788SR  |             |                    | CHIP,3.3K-J 1/16W-1608 | nsp            |
| R766    |             |                    | CHIP,4.7K-J 1/16W-1608    | nsp            | R788SW  |             |                    | CHIP,9.1K-J 1/16W-1608 | nsp            |
| R768    |             |                    | CHIP,100-J 1/16W-1608     | nsp            | R790C   |             |                    | CHIP,180K-J 1/16W-1608 | nsp            |
| R769    |             |                    | CHIP,10K-J 1/16W-1608     | nsp            | R790FL  |             |                    | CHIP,15K-J 1/16W-1608  | nsp            |
| R770    |             |                    | CHIP,4.7K-J 1/16W-1608    | nsp            | R790FR  |             |                    | CHIP,15K-J 1/16W-1608  | nsp            |
| R770AFL |             |                    | CHIP,6.2K-J 1/16W-1608    | nsp            | R790SC  |             |                    | CHIP,180K-J 1/16W-1608 | nsp            |
| R770AFP |             |                    | CHIP,6.2K-J 1/16W-1608    | nsp            | R790SL  |             |                    | CHIP,180K-J 1/16W-1608 | nsp            |
| R771AFL |             |                    | CHIP,4.7K-J 1/16W-1608    | nsp            | R790SR  |             |                    | CHIP,180K-J 1/16W-1608 | nsp            |
| R771AFP |             |                    | CHIP,4.7K-J 1/16W-1608    | nsp            | R790SW  |             |                    | CHIP,100K-J 1/16W-1608 | nsp            |
| R772    |             |                    | CHIP,2.2K-J 1/16W-1608    | nsp            | R791C   |             |                    | CHIP,2.2K-J 1/16W-1608 | nsp            |
| R772AFL |             |                    | CHIP,2.4K-J 1/16W-1608    | nsp            | R791FL  |             |                    | CHIP,2.2K-J 1/16W-1608 | nsp            |
| R772AFP |             |                    | CHIP,2.4K-J 1/16W-1608    | nsp            | R791FR  |             |                    | CHIP,2.2K-J 1/16W-1608 | nsp            |
| R773AFL |             |                    | CHIP,4.7K-J 1/16W-1608    | nsp            | R791SC  |             |                    | CHIP,2.2K-J 1/16W-1608 | nsp            |
| R773AFP |             |                    | CHIP,4.7K-J 1/16W-1608    | nsp            | R791SL  |             |                    | CHIP,2.2K-J 1/16W-1608 | nsp            |
| R774AFL |             |                    | CHIP,4.7K-J 1/16W-1608    | nsp            | R791SR  |             |                    | CHIP,2.2K-J 1/16W-1608 | nsp            |
| R774AFP |             |                    | CHIP,4.7K-J 1/16W-1608    | nsp            | R791SW  |             |                    | CHIP,2.2K-J 1/16W-1608 | nsp            |
|         |             |                    |                           |                | R792    |             |                    | CHIP,470-J 1/16W-1608  | nsp            |

NOTE : \*nsp\* PART IS LISTED FOR REFERENCE ONLY, MARANTZ WILL NOT SUPPLY THESE PARTS.

PS5200

| POS. NO | VERS. COLOR | PART NO. (FOR PCS) | DESCRIPTION                     | PART NO. (MJI) | POS. NO  | VERS. COLOR | PART NO. (FOR PCS) | DESCRIPTION                                     | PART NO. (MJI) |
|---------|-------------|--------------------|---------------------------------|----------------|----------|-------------|--------------------|---|----------------|
| R799    |             |                    | CHIP,1M-J 1/16W-1608            | nsp            | Q701SC   |             |                    | TRS.CHIP 2SC,<br>KTC2875B SOT23                 | *HT300870R     |
| R799C   |             |                    | CHIP,470-J 1/16W-1608           | nsp            | Q701SL   |             |                    | TRS.CHIP 2SC,<br>KTC2875B SOT23                 | *HT300870R     |
| R799FL  |             |                    | CHIP,1K-J 1/16W-1608            | nsp            | Q701SR   |             |                    | TRS.CHIP 2SC,<br>KTC2875B SOT23                 | *HT300870R     |
| R799FR  |             |                    | CHIP,1K-J 1/16W-1608            | nsp            | Q701SW   |             |                    | TRS.CHIP 2SC,<br>KTC2875B SOT23                 | *HT300870R     |
| R799SC  |             |                    | CHIP,470-J 1/16W-1608           | nsp            | Q702AFL  |             |                    | TRS.CHIP 2SC,<br>KTC2875B SOT23                 | *HT300870R     |
| R799SL  |             |                    | CHIP,470-J 1/16W-1608           | nsp            | Q702AFR  |             |                    | TRS.CHIP 2SC,<br>KTC2875B SOT23                 | *HT300870R     |
| R799SR  |             |                    | CHIP,470-J 1/16W-1608           | nsp            | Q703     |             |                    | TRS.CHIP 2SA,KRA102S                            | *BA001230R     |
| R799SW  |             |                    | CHIP,470-J 1/16W-1608           | nsp            | Q704     |             |                    | TRS.CHIP 2SC,KRC102S                            | *BA001220R     |
| R800    |             |                    | CHIP,20K-J 1/16W-1608           | nsp            | Q705     |             |                    | TRS.CHIP 2SA,KRA102S                            | *BA001230R     |
| R801    |             |                    | CHIP,10K-J 1/16W-1608           | nsp            | Q706     |             |                    | TRS.CHIP 2SC,KRC102S                            | *BA001220R     |
| R802C   |             |                    | CHIP,100K-J 1/16W-1608          | nsp            | Q707     |             |                    | TRS.CHIP 2SA,KRA102S                            | *BA001230R     |
| R802SC  |             |                    | CHIP,100K-J 1/16W-1608          | nsp            | Q708     |             |                    | TRS.CHIP 2SA,KRA102S                            | *BA001230R     |
| R802SL  |             |                    | CHIP,100K-J 1/16W-1608          | nsp            | Q711     |             |                    | TRS.CHIP 2SA,KRA102S                            | *BA001230R     |
| R802SR  |             |                    | CHIP,100K-J 1/16W-1608          | nsp            | Q712     |             |                    | TRS.CHIP 2SC,<br>KTC2875B SOT23                 | *HT300870R     |
| R802SW  |             |                    | CHIP,100K-J 1/16W-1608          | nsp            | Q712C    |             |                    | TRS.CHIP 2SC,<br>KTC2875B SOT23                 | *HT300870R     |
| R803    |             |                    |                                 |                | Q712SC   |             |                    | TRS.CHIP 2SC,<br>KTC2875B SOT23                 | *HT300870R     |
| S       |             |                    | CHIP,33-J 1/16W-1608            | nsp            | Q712SL   |             |                    | TRS.CHIP 2SC,<br>KTC2875B SOT23                 | *HT300870R     |
| R815    |             |                    |                                 |                | Q712SR   |             |                    | TRS.CHIP 2SC,<br>KTC2875B SOT23                 | *HT300870R     |
| R816    |             |                    | CHIP,1K-J 1/16W-1608            | nsp            |          |             |                    |   |                |
| S       |             |                    |                                 |                | CB702    |             |                    | DSP - MISCELLANEOUS                             |                |
| R820    |             |                    |                                 |                |          |             |                    | BEAD COIL CHIP,<br>HB-IT2012-121JT 2012         | nsp            |
| R821    |             |                    | CHIP,2.2K-J 1/16W-1608          | nsp            | CB708    |             |                    |   |                |
| R824    |             |                    |                                 |                | CN111    |             |                    | CN.WAFER 2.0MM,<br>TUC-P12X-B1 HOUSING ST       | nsp            |
| R825    |             |                    | CHIP,33-J 1/16W-1608            | nsp            | CN112    |             |                    | CN.WAFER 2.0MM,<br>TUC-P15X-B1 HOUSING ST       | nsp            |
| R826    |             |                    | CHIP,33-J 1/16W-1608            | nsp            | CN113    |             |                    | CN.WAFER 2.0MM,<br>TUC-P18X-B1 HOUSING ST       | nsp            |
| R827    |             |                    | CHIP,1K-J 1/16W-1608            | nsp            | FB701C   |             |                    | BEAD COIL,<br>BRS3550T0 3.5PHI*5                | nsp            |
| R828    |             |                    | CHIP,1K-J 1/16W-1608            | nsp            | FB701FL  |             |                    | BEAD COIL,<br>BRS3550T0 3.5PHI*5                | nsp            |
| R838    |             |                    | CHIP,470K-J 1/16W-1608          | nsp            | FB701FR  |             |                    | BEAD COIL,<br>BRS3550T0 3.5PHI*5                | nsp            |
|         |             |                    | DSP - SEMICONDUCTORS            |                | FB701SC  |             |                    | BEAD COIL,<br>BRS3550T0 3.5PHI*5                | nsp            |
| D702    |             |                    | DIODE CHIP,KDS160               | *HD201560R     | FB701SL  |             |                    | BEAD COIL,<br>BRS3550T0 3.5PHI*5                | nsp            |
| S       |             |                    |                                 |                | FB701SR  |             |                    | BEAD COIL,<br>BRS3550T0 3.5PHI*5                | nsp            |
| D707    |             |                    |                                 |                | FB701SW  |             |                    | BEAD COIL,<br>BRS3550T0 3.5PHI*5                | nsp            |
| IC701   |             |                    | IC,74VHCU04 SOP14               | *HC700300R     | FB702AFL |             |                    | BEAD COIL,<br>BRS3550T0 3.5PHI*5                | nsp            |
| IC702   |             |                    | IC,MM74HC151MX SOP16            | *HC700330R     | FB702AFR |             |                    | BEAD COIL,<br>BRS3550T0 3.5PHI*5                | nsp            |
| IC703   |             |                    | IC,BA4510F-T1 SOP               | HC10159210     | L701     |             |                    | COIL FILTER-INDUCTOR,<br>4.7UH-Q50/56M LAL03VB  | nsp            |
| IC704   |             |                    | IC,BA4510F-T1 SOP               | HC10159210     | L702     |             |                    | COIL FILTER-INDUCTOR,<br>4.7UH-Q50/56M LAL03VB  | nsp            |
| IC705   |             |                    | IC,NJM7805FA T0220F             | HC3890509F     | L703     |             |                    | COIL FILTER-INDUCTOR,<br>4.7UH-Q50/56M LAL03VB  | nsp            |
| IC706   |             |                    | IC,RC1117S33ST SOT223           | *HC900020R     | L705     |             |                    | COIL FILTER-INDUCTOR,<br>2.2UH-Q50/110M LAL03VB | nsp            |
| IC707   |             |                    | IC,M27W401-80B6 PDIP32          | *HC107760R     |          |             |                    |   |                |
| IC708   |             |                    | IC,MM74LCX574WMX SOP20          | *HC700360R     |          |             |                    |   |                |
| IC709   |             |                    | IC,MM74LCX574WMX SOP20          | *HC700360R     |          |             |                    |   |                |
| IC710   |             |                    | IC,LC89055W(ES4)                | HC10405030     |          |             |                    |   |                |
| IC711   |             |                    | IC,SN74LV00APW                  | *HC700370R     |          |             |                    |   |                |
| IC712   |             |                    | IC,MM74HCT244WMX SOP20          | *HC700350R     |          |             |                    |   |                |
| IC713   |             |                    | IC,MM74HC125MX SOP14            | *HC700320R     |          |             |                    |   |                |
| IC714   |             |                    | IC,IS61LV256-12J SOJ28P         | *HC107770R     |          |             |                    |   |                |
| IC715   |             |                    | IC,CS49329-CL PLCC44P           | *HC107780R     |          |             |                    |   |                |
| IC716   |             |                    | IC,RC1117S25T SOT223            | *HC900010R     |          |             |                    |   |                |
| IC717   |             |                    | IC,MM74HC244WMX SOIC20          | *HC700340R     |          |             |                    |   |                |
| IC718   |             |                    | IC,MM74HCT244WMX SOP20          | *HC700350R     |          |             |                    |   |                |
| IC719   |             |                    | IC,CS4228A-KS SSOP28            | *HC107240R     |          |             |                    |   |                |
| IC720   |             |                    | IC,CS4391 TSSOP20               | *HC107250R     |          |             |                    |   |                |
| IC721   |             |                    | IC,SN74LV4040APWR SOP16         | *HC700380R     |          |             |                    |   |                |
| IC722   |             |                    |                                 |                |          |             |                    |   |                |
| S       |             |                    | IC,NJM2068M SOP8P               | HC10102090     |          |             |                    |   |                |
| IC725   |             |                    |                                 |                |          |             |                    |   |                |
| Q701C   |             |                    | TRS.CHIP 2SC,<br>KTC2875B SOT23 | *HT300870R     |          |             |                    |   |                |
| Q701FL  |             |                    | TRS.CHIP 2SC,<br>KTC2875B SOT23 | *HT300870R     |          |             |                    |   |                |
| Q701FR  |             |                    | TRS.CHIP 2SC,<br>KTC2875B SOT23 | *HT300870R     |          |             |                    |   |                |

NOTE : \*nsp\* PART IS LISTED FOR REFERENCE ONLY, MARANTZ WILL NOT SUPPLY THESE PARTS.

PS5200

| POS. NO | VERS. COLOR | PART NO. (FOR PCS) | DESCRIPTION   | PART NO. (MJI) | POS. NO | VERS. COLOR | PART NO. (FOR PCS) | DESCRIPTION                             | PART NO. (MJI) |
|---------|-------------|--------------------|---|----------------|---------|-------------|--------------------|---|----------------|
| L706    |             |                    | COIL FILTER-INDUCTOR, 2.2UH-Q50/110M LAL03VB        | nsp            | ▲F712   |             |                    | FUSE (5.2*20),250V-S8A                  | *FS000900R     |
| L707    |             |                    | COIL FILTER-INDUCTOR, 4.7UH-Q50/56M LAL03VB         | nsp            | FC715   |             |                    | HOLDER FUSE CLIP,                       | nsp            |
| L708    |             |                    | COIL FILTER-INDUCTOR, 2.2UH-Q50/110M LAL03VB        | nsp            | F715    |             |                    | FUSE (5.2*20),250V-S2.5A                | *FS000890R     |
| T1      |             |                    | COIL CHOKER,  | *LC107290R     | GND711  |             |                    | TERMINAL,                               | nsp            |
| WIREF01 |             |                    | COIL TRANS MATING WIRE LEAD 1007 80C, GREEN 5-100-5 | nsp            | GND712  |             |                    | ALL PBST/GND PLATE                      | nsp            |
| WIREF02 |             |                    | WIRE LEAD 1007 80C, GR 5-80-5                       | nsp            | L710    |             |                    | TERMINAL,                               | nsp            |
| XTAL701 |             |                    | CRYSTAL, 12.288MHZ HC49U-CL                         | *JX000770R     | L711    |             |                    | ALL PBST/GND PLATE                      | nsp            |
|         |             |                    | POWER CIRCUIT BOARD                                 |                | L712    |             |                    | COIL FILTER-INDUCTOR, 10UH-Q40/24M 02TB | nsp            |
|         |             |                    | POWER - CAPACITORS                                  |                |         |             |                    | COIL FILTER-INDUCTOR, 10UH-Q40/24M 02TB | nsp            |
| C710    |             |                    | FILM,0.047µF-J/100V                                 | nsp            | ▲RY710  |             |                    | COIL FILTER-INDUCTOR, 10UH-Q40/24M 02TB | nsp            |
| C711    |             |                    | FILM,0.047µF-J/100V                                 | nsp            | ▲T710   |             |                    | RELAY,HR-CR7-DC12V/10A                  | *LY000200R     |
| C712    |             |                    | FILM,0.047µF-J/100V                                 | nsp            |         |             |                    | TRANSF. SUB FOR F                       | *TS001610R     |
| C713    |             |                    | CER.,0.1µF-Z/50V P16                                | nsp            |         |             |                    | S-VIDEO CIRCUIT BOARD                   |                |
| ▲C714   |             |                    | CER.(SAFETY), DE2F3KH108MN4A                        | nsp            |         |             |                    | S-VIDEO - CAPACITORS                    |                |
| C717    |             |                    | ELECT,470µF-M/25V 10*12.5                           | nsp            | C801    |             |                    | ELECT,10µF-M/50V 5*11                   | nsp            |
| C718    |             |                    | ELECT,1µF-M/50V 5*11                                | nsp            | C802    |             |                    | ELECT,470µF-M/6.3V 8*11.5               | nsp            |
| C719    |             |                    | ELECT,220µF-M/50V 10*12.5                           | nsp            | C802N   |             |                    | CER.CHIP,47pF-J/50V-1608                | nsp            |
|         |             |                    | POWER - RESISTORS                                   |                | C803    |             |                    | ELECT,10µF-M/50V 5*11                   | nsp            |
| R710D   |             |                    | ERC-12UGK335  | RC05471010     | C803N   |             |                    | CER.CHIP,47pF-J/50V-1608                | nsp            |
| R712    |             |                    | 470-J 1/6W  | nsp            | C804    |             |                    | ELECT,470µF-M/6.3V 8*11.5               | nsp            |
| R713    |             |                    | 10K-J 1/6W  | nsp            | C804N   |             |                    | CER.CHIP,47pF-J/50V-1608                | nsp            |
| R714    |             |                    | 15K-J 1/6W  | nsp            | C805    |             |                    | ELECT,470µF-M/6.3V 8*11.5               | nsp            |
| R716    |             |                    | 47-J 1/4W   | nsp            | C805N   |             |                    | CER.CHIP,47pF-J/50V-1608                | nsp            |
| R718    |             |                    | 1.8K-J 1/6W   | nsp            | C806    |             |                    | ELECT,10µF-M/50V 5*11                   | nsp            |
| R719    |             |                    | 0.22-J 1W   | *GA000200R     | C806N   |             |                    | CER.CHIP,47pF-J/50V-1608                | nsp            |
|         |             |                    | POWER - SEMICONDUCTORS                              |                | C807    |             |                    | ELECT,4.7µF-M/50V 5*11                  | nsp            |
| D710    |             |                    | DIODE,IN4007  | *HD201570R     | C807N   |             |                    | CER.CHIP,47pF-J/50V-1608                | nsp            |
| D713    |             |                    | DIODE,1SS133T                                       | HD20015210     | C808    |             |                    | ELECT,4.7µF-M/50V 5*11                  | nsp            |
| D714    |             |                    | DIODE,1SS133T                                       | HD20015210     | C809    |             |                    | ELECT,10µF-M/50V 5*11                   | nsp            |
| D715    |             |                    | DIODE,IN4007  | *HD201570R     | C810    |             |                    | ELECT,10µF-M/50V 5*11                   | nsp            |
| D719    |             |                    | IC,KA7806   | *HC300120R     | C810A   |             |                    | CER.CHIP,100pF-J/50V-1608               | nsp            |
| IC710   |             |                    | TRS.RC,KRC107M TO92M                                | *BA001190R     | C811    |             |                    | ELECT,10µF-M/50V 5*11                   | nsp            |
| Q711    |             |                    | TRS.2SA,KSA816Y TO92L                               | *HT100600R     | C812    |             |                    | ELECT,4.7µF-M/50V 5*11                  | nsp            |
| Q712    |             |                    | TRS.RC,KRC107M TO92M                                | *BA001190R     | C813    |             |                    | ELECT,4.7µF-M/50V 5*11                  | nsp            |
| Q714    |             |                    | D ZENER,MTZJ7.5B                                    | *HD301980R     | C814    |             |                    | ELECT,10µF-M/50V 5*11                   | nsp            |
| ZD711   |             |                    | D ZENER,MTZJ15B                                     | *HD302000R     | C815    |             |                    | ELECT,10µF-M/50V 5*11                   | nsp            |
| ZD712   |             |                    | D ZENER,MTZJ15B                                     | *HD302000R     | C816    |             |                    | ELECT,47µF-M/16V 5*11                   | nsp            |
| ZD713   |             |                    | D ZENER,MTZJ4.3B                                    | HD30431000     | C817    |             |                    | CER.CHIP,0.01µF-Z/50V-1608              | nsp            |
| ZD715   |             |                    | D ZENER,MTZJ20B                                     | *HD301950R     | C818    |             |                    | CER.,0.01µF-M/16V                       | nsp            |
| ZD716   |             |                    | POWER - MISCELLANEOUS                               |                |         |             |                    | ELECT,47µF-M/16V 5*11                   | nsp            |
| CP710   |             |                    | CN.WAFER 2.5MM,5267-04A 4P                          | nsp            | C820    |             |                    | CER.CHIP,0.01µF-Z/50V-1608              | nsp            |
| CP711   |             |                    | CN.WAFER 3.96MM,35328-0210                          | nsp            | C821    |             |                    | ELECT,100µF-M/10V 5*11                  | nsp            |
| CP712   |             |                    | CN.WAFER 7.92MM, YW396-32V 2P                       | nsp            | C822    |             |                    | ELECT,10µF-M/50V 5*11                   | nsp            |
| CP714   |             |                    | CN.WAFER 2.0MM, G1L-S-4P-S2T2-EF                    | nsp            | C823    |             |                    | CER.,0.01µF-M/16V                       | nsp            |
| CP715   |             |                    | CN.WAFER 2.0MM, G1L-S-5P-S2T2-EF                    | nsp            | C824    |             |                    | ELECT,2.2µF-M/50V 5*11                  | nsp            |
| FC711   |             |                    | HOLDER FUSE CLIP,                                   | nsp            | C825    |             |                    | CER.,0.001µF-K/50V                      | nsp            |
| ▲F711   |             |                    | FUSE (5.2*20),250V-S2.5A                            | *FS000890R     | C826    |             |                    | ELECT,2.2µF-M/50V 5*11                  | nsp            |
| FC712   |             |                    | HOLDER FUSE CLIP,                                   | nsp            | C827    |             |                    | ELECT,10µF-M/50V 5*11                   | nsp            |
|         |             |                    |   |                | C828    |             |                    | ELECT,10µF-M/50V 5*11                   | nsp            |
|         |             |                    |   |                | C829    |             |                    | ELECT,10µF-M/50V 5*11                   | nsp            |
|         |             |                    |   |                | C831    |             |                    | CER.CHIP,100pF-J/50V-1608               | nsp            |
|         |             |                    |   |                | C832    |             |                    | ELECT,10µF-M/50V 5*11                   | nsp            |
|         |             |                    |   |                | C833    |             |                    | CER.CHIP,0.01µF-Z/50V-1608              | nsp            |
|         |             |                    |   |                | C834    |             |                    | ELECT,100µF-M/10V 5*11                  | nsp            |
|         |             |                    |   |                | C835    |             |                    | CER.,47pF-J/50V                         | nsp            |
|         |             |                    |   |                | C836    |             |                    | ELECT,1µF-M/50V 5*11                    | nsp            |
|         |             |                    |   |                | C837    |             |                    | CER.,20pF-J/50V                         | nsp            |
|         |             |                    |   |                | C838    |             |                    | CER.CHIP,100pF-J/50V-1608               | nsp            |
|         |             |                    |   |                | C839    |             |                    | ELECT,100µF-M/10V 5*11                  | nsp            |
|         |             |                    |   |                | C840A   |             |                    | ELECT,47µF-M/16V 5*11                   | nsp            |

NOTE : \*nsp\* PART IS LISTED FOR REFERENCE ONLY, MARANTZ WILL NOT SUPPLY THESE PARTS.

PS5200

| POS. NO | VERS. COLOR | PART NO. (FOR PCS) | DESCRIPTION                | PART NO. (MJI) | POS. NO | VERS. COLOR | PART NO. (FOR PCS) | DESCRIPTION               | PART NO. (MJI) |
|---------|-------------|--------------------|----------------------------|----------------|---------|-------------|--------------------|---------------------------|----------------|
| C840U   |             |                    | CER.,20pF-J/50V            | nsp            | R846    |             |                    | CHIP,2.2K-J 1/16W-1608    | nsp            |
| C841A   |             |                    | CER.CHIP,0.01µF-Z/50V-1608 | nsp            | R847    |             |                    | CHIP,10K-J 1/16W-1608     | nsp            |
| C841U   |             |                    | CER.,20pF-J/50V            | nsp            | R848    |             |                    | 330-J 1/6W                | nsp            |
| C842    |             |                    | CER.CHIP,0.01µF-Z/50V-1608 | nsp            | R849    |             |                    | CHIP,1M-J 1/16W-1608      | nsp            |
| C842A   |             |                    | CER.CHIP,0.01µF-Z/50V-1608 | nsp            | R849A   |             |                    | CHIP,3K-J 1/16W-1608      | nsp            |
| C843    |             |                    | CER.,20pF-J/50V            | nsp            | R850    |             |                    | CHIP,150K-J 1/16W-1608    | nsp            |
| C843A   |             |                    | CER.,22pF-J/50V            | nsp            | R850A   |             |                    | CHIP,3.9K-J 1/16W-1608    | nsp            |
| C844    |             |                    | ELECT,100µF-M/10V 5*11     | nsp            | R851    |             |                    | 470K-J 1/6W               | nsp            |
| C845    |             |                    | CER.,0.001µF-K/50V         | nsp            | R852    |             |                    | CHIP,33K-J 1/16W-1608     | nsp            |
| C845A   |             |                    | ELECT,10µF-M/50V 5*11      | nsp            | R853    |             |                    | CHIP,470K-J 1/16W-1608    | nsp            |
| C846    |             |                    | ELECT,1µF-M/50V 5*11       | nsp            | R861    |             |                    | CHIP,220-J 1/16W-1608     | nsp            |
| C847    |             |                    | CER.CHIP,100pF-J/50V-1608  | nsp            | R862    |             |                    | CHIP,220-J 1/16W-1608     | nsp            |
| C848    |             |                    | CER.CHIP,2200pF-K/50V-1608 | nsp            | R863    |             |                    | 100-J 1/6W                | nsp            |
| C849    |             |                    | ELECT,1µF-M/50V 5*11       | nsp            |         |             |                    |                           |                |
| C849A   |             |                    | CER.CHIP,0.01µF-Z/50V-1608 | nsp            |         |             |                    | S-VIDEO - SEMICONDUCTORS  |                |
| C850A   |             |                    | CER.CHIP,0.01µF-Z/50V-1608 | nsp            | D801    |             |                    | DIODE,1SS133T             | HD20015210     |
| C858    |             |                    | CER.CHIP,100pF-J/50V-1608  | nsp            | D801A   |             |                    | DIODE CHIP,KDS160         | *HD201560R     |
| C858A   |             |                    | CER.CHIP,47pF-J/50V-1608   | nsp            | D802    |             |                    |                           |                |
| C859    |             |                    | CER.CHIP,0.01µF-Z/50V-1608 | nsp            | §       |             |                    | DIODE,1SS133T             | HD20015210     |
|         |             |                    | S-VIDEO - RESISTORS        |                | D805    |             |                    |                           |                |
| R801    |             |                    |                            |                | D811    |             |                    | DIODE,1SS133T             | HD20015210     |
| §       |             |                    | CHIP,56-J 1/16W-1608       | nsp            | IC802   |             |                    | IC,NJM2296M SOP16         | HC10210090     |
| R806    |             |                    |                            |                | IC803   |             |                    | IC,NJM2296M SOP16         | HC10210090     |
| R807    |             |                    |                            |                | IC804   |             |                    | IC,NJM2506 SOP16          | *HC107270R     |
| §       |             |                    | CHIP,75-J 1/16W-1608       | nsp            | IC805   |             |                    | IC,M35010-001SP DIP20     | *HC107310R     |
| R814    |             |                    |                            |                | IC806   |             |                    | IC,BA7046 DIP8            | *HC107230R     |
| R815    |             |                    | 2.2-J 1/6W                 | nsp            | Q801    |             |                    | TRS.RC,KRC107M TO92M      | *BA001190R     |
| R816    |             |                    | 1K-J 1/6W                  | nsp            | Q802    |             |                    | TRS.2SA933S TO92M         | *HT100610R     |
| R816A   |             |                    | CHIP,1K-J 1/16W-1608       | nsp            | Q803    |             |                    | TRS.RB,KRA107M            | *BA000190R     |
| R817    |             |                    | 1-J 1/6W                   | nsp            | Q804    |             |                    | TRS.RB,KRA107M            | *BA000190R     |
| R818    |             |                    | CHIP,2.2K-J 1/16W-1608     | nsp            | Q805    |             |                    | TRS.RB,KRA107M            | *BA000190R     |
| R819    |             |                    | 47K-J 1/6W                 | nsp            | Q806    |             |                    | TRS.2SC,KTC2874B TO92     | *HT300880R     |
| R819A   |             |                    | CHIP,68K-J 1/16W-1608      | nsp            | Q806A   |             |                    | TRS.2SC,KTC2874B TO92     | *HT300880R     |
| R820    |             |                    | 68-J 1/6W                  | nsp            | Q807    |             |                    | TRS.2SA933S TO92M         | *HT100610R     |
| R820A   |             |                    | CHIP,68K-J 1/16W-1608      | nsp            | Q808    |             |                    | TRS.RC,KRC107M TO92M      | *BA001190R     |
| R822    |             |                    | 22K-J 1/6W                 | nsp            | Q816    |             |                    | TRS.2SA933S TO92M         | *HT100610R     |
| R823    |             |                    | CHIP,33K-J 1/16W-1608      | nsp            | Q851    |             |                    | TRS.2SC3199-GR/KTC3199-GR | *HT300880R     |
| R824    |             |                    | 75-J 1/6W                  | nsp            | Q852    |             |                    | TRS.2SA933S TO92M         | *HT100610R     |
| R825    |             |                    | CHIP,2.2K-J 1/16W-1608     | nsp            | Q854    |             |                    | TRS.2SA933S TO92M         | *HT100610R     |
| R826    |             |                    | CHIP,10K-J 1/16W-1608      | nsp            |         |             |                    | S-VIDEO - MISCELLANEOUS   |                |
| R827    |             |                    | CHIP,33K-J 1/16W-1608      | nsp            | CP301S  |             |                    | CN.WAFER 2.5MM,5287-02A2P | nsp            |
| R828    |             |                    | CHIP,75-J 1/16W-1608       | nsp            | CP301SV |             |                    | CN.WAFER                  | nsp            |
| R829    |             |                    | CHIP,2.2K-J 1/16W-1608     | nsp            |         |             |                    | 2.0MM,G1L-S-4P-S2T2-EF    |                |
| R830    |             |                    | CHIP,10K-J 1/16W-1608      | nsp            | J807    |             |                    | CHIP,0-J 1/16W-1608       | nsp            |
| R831    |             |                    | CHIP,10K-J 1/16W-1608      | nsp            | J810    |             |                    | CHIP,0-J 1/16W-1608       | nsp            |
| R832    |             |                    | CHIP,2K-J 1/16W-1608       | nsp            | J850    |             |                    | CHIP,0-J 1/16W-1608       | nsp            |
| R833    |             |                    | CHIP,10K-J 1/16W-1608      | nsp            | J852    |             |                    | CHIP,0-J 1/16W-1608       | nsp            |
| R834    |             |                    | CHIP,8.2K-J 1/16W-1608     | nsp            | J853    |             |                    | CHIP,0-J 1/16W-1608       | nsp            |
| R835    |             |                    | CHIP,15K-J 1/16W-1608      | nsp            | J854    |             |                    | CHIP,0-J 1/16W-1608       | nsp            |
| R836    |             |                    | CHIP,75-J 1/16W-1608       | nsp            | J861    |             |                    |                           |                |
| R837    |             |                    | CHIP,47K-J 1/16W-1608      | nsp            | §       |             |                    | CHIP,0-J 1/16W-1608       | nsp            |
| R838    |             |                    | CHIP,12K-J 1/16W-1608      | nsp            | J866    |             |                    |                           |                |
| R839    |             |                    | CHIP,1K-J 1/16W-1608       | nsp            | J932    |             |                    | CHIP,0-J 1/16W-1608       | nsp            |
| R840    |             |                    | CHIP,1K-J 1/16W-1608       | nsp            | L801    |             |                    | COIL FILTER-INDUCTOR,     | nsp            |
| R841    |             |                    | CHIP,1K-J 1/16W-1608       | nsp            |         |             |                    | 22UH-Q40/17M 02TB         |                |
| R842    |             |                    | CHIP,100-J 1/16W-1608      | nsp            | L802    |             |                    | COIL FILTER-INDUCTOR,     | nsp            |
| R843U   |             |                    | 470-J 1/6W                 | nsp            |         |             |                    | 22UH-Q40/17M 02TB         |                |
| R844U   |             |                    | 1M-J 1/6W                  | nsp            | L804    |             |                    | BEAD COIL,                | nsp            |
| R845    |             |                    | 2.2K-J 1/6W                | nsp            |         |             |                    | BAS3580T0 3.5PHI*8        |                |
|         |             |                    |                            |                | XTAL801 |             |                    | CRYSTAL,                  | *JX000780R     |
|         |             |                    |                            |                |         |             |                    | 14.31818MHZ HC49U-CL      |                |

NOTE : \*nsp\* PART IS LISTED FOR REFERENCE ONLY, MARANTZ WILL NOT SUPPLY THESE PARTS.



PS5200

| POS. NO | VERS. COLOR | PART NO. (FOR PCS) | DESCRIPTION               | PART NO. (MJI) | POS. NO | VERS. COLOR | PART NO. (FOR PCS) | DESCRIPTION                           | PART NO. (MJI) |
|---------|-------------|--------------------|---------------------------|----------------|---------|-------------|--------------------|---------------------------------------|----------------|
|         |             |                    | VIDEO CIRCUIT BOARD       |                |         |             |                    | VIDEO - MISCELLANEOUS                 |                |
| C871    |             |                    | VIDEO - CAPACITORS        |                | CP301V  |             |                    | CN.WAFER 2.0MM,<br>GIL-S-2P-S2T2-EF   | nsp            |
| C873    |             |                    | CER.CHIP,47pF-J/50V-1608  | nsp            | J911    |             |                    |                                       |                |
| C874    |             |                    | ELECT,470µF-M/6.3V 8*11.5 | nsp            | J916    |             |                    | CHIP,0-J 1/16W-1608                   | nsp            |
| C875    |             |                    | CER.CHIP,47pF-J/50V-1608  | nsp            |         |             |                    |                                       |                |
| C876    |             |                    | ELECT,470µF-M/6.3V 8*11.5 | nsp            |         |             |                    |                                       |                |
| C877    |             |                    | CER.CHIP,47pF-J/50V-1608  | nsp            |         |             |                    |                                       |                |
| C878    |             |                    | ELECT,470µF-M/6.3V 8*11.5 | nsp            |         |             |                    |                                       |                |
| C881    |             |                    | ELECT,10µF-M/50V 5*11     | nsp            | CN101   |             |                    | SPEAKER CIRCUIT BOARD                 |                |
| C882    |             |                    | ELECT,47µF-M/16V 5*11     | nsp            |         |             |                    | SPEAKER - MISCELLANEOUS               |                |
| C883    |             |                    | CER.CHIP,0.1µF-K/50V-1608 | nsp            |         |             |                    | CN.WAFER 2.5MM,<br>52668-1317 ANG ZIP | nsp            |
| C884    |             |                    | CER.CHIP,0.1µF-K/50V-1608 | nsp            |         |             |                    |                                       |                |
| C885    |             |                    | ELECT,47µF-M/16V 5*11     | nsp            |         |             |                    | TUNER INPUT                           |                |
| C886    |             |                    | ELECT,10µF-M/50V 5*11     | nsp            | C953    |             |                    | CIRCUIT BOARD                         |                |
| C887    |             |                    | CER.CHIP,100pF-J/50V-1608 | nsp            |         |             |                    | TUNER INPUT - CAPACITORS              |                |
| C888    |             |                    | CER.,0.01µF-M/16V         | nsp            |         |             |                    | CER.,0.1µF-Z/50V                      | nsp            |
| C889    |             |                    | ELECT,100µF-M/10V 5*11    | nsp            | R951    |             |                    | TUNER INPUT - RESISTORS               |                |
| C890    |             |                    | CER.,0.001µF-K/50V        | nsp            | R952    |             |                    | 470-J 1/6W                            | nsp            |
| C891    |             |                    | ELECT,2.2µF-M/50V 5*11    | nsp            |         |             |                    | 470-J 1/6W                            | nsp            |
| C892    |             |                    | CER.CHIP,100pF-J/50V-1608 | nsp            |         |             |                    |                                       |                |
| C894    |             |                    | ELECT,10µF-M/50V 5*11     | nsp            | CP302T  |             |                    | TUNER INPUT-MISCELLANEOUS             |                |
| C895    |             |                    | ELECT,10µF-M/50V 5*11     | nsp            |         |             |                    | CN.WAFER 2.0MM,<br>G1L-S-3P-S2T2-EF   | nsp            |
| C896    |             |                    | CER.CHIP,100pF-J/50V-1608 | nsp            |         |             |                    |                                       |                |
|         |             |                    | VIDEO - RESISTORS         |                |         |             |                    |                                       |                |
| R864    |             |                    | 1K-J 1/6W                 | nsp            |         |             |                    |                                       |                |
| R865    |             |                    | 1K-J 1/6W                 | nsp            |         |             |                    |                                       |                |
| R871    |             |                    | CHIP,10K-J 1/16W-1608     | nsp            |         |             |                    |                                       |                |
| R873    |             |                    | CHIP,47-J 1/16W-1608      | nsp            |         |             |                    |                                       |                |
| R874    |             |                    | 1K-J 1/6W                 | nsp            |         |             |                    |                                       |                |
| R875    |             |                    | CHIP,10K-J 1/16W-1608     | nsp            |         |             |                    |                                       |                |
| R876    |             |                    | CHIP,56-J 1/16W-1608      | nsp            |         |             |                    |                                       |                |
| R877    |             |                    | CHIP,10K-J 1/16W-1608     | nsp            |         |             |                    |                                       |                |
| R878    |             |                    | CHIP,75-J 1/16W-1608      | nsp            |         |             |                    |                                       |                |
| R879    |             |                    | CHIP,56-J 1/16W-1608      | nsp            |         |             |                    |                                       |                |
| R880    |             |                    | CHIP,75-J 1/16W-1608      | nsp            |         |             |                    |                                       |                |
| R881    |             |                    | CHIP,75-J 1/16W-1608      | nsp            |         |             |                    |                                       |                |
| R882    |             |                    | CHIP,75-J 1/16W-1608      | nsp            |         |             |                    |                                       |                |
| R883    |             |                    | 2.2K-J 1/6W               | nsp            |         |             |                    |                                       |                |
| R884    |             |                    | 1-J 1/6W                  | nsp            |         |             |                    |                                       |                |
| R885    |             |                    | CHIP,2.2-J 1/16W-1608     | nsp            |         |             |                    |                                       |                |
| R886    |             |                    | CHIP,47K-J 1/16W-1608     | nsp            |         |             |                    |                                       |                |
| R889    |             |                    | 33K-J 1/6W                | nsp            |         |             |                    |                                       |                |
| R890    |             |                    | 68-J 1/6W                 | nsp            |         |             |                    |                                       |                |
| R891    |             |                    | 2.2K-J 1/6W               | nsp            |         |             |                    |                                       |                |
| R897    |             |                    | CHIP,10K-J 1/16W-1608     | nsp            |         |             |                    |                                       |                |
| R899    |             |                    | 1K-J 1/6W                 | nsp            |         |             |                    |                                       |                |
|         |             |                    | VIDEO - SEMICONDUCTORS    |                |         |             |                    |                                       |                |
| D870    |             |                    | DIODE,1SS133T             | HD20015210     |         |             |                    |                                       |                |
| D871    |             |                    | DIODE CHIP,KDS160         | *HD201560R     |         |             |                    |                                       |                |
| D872    |             |                    | DIODE,1SS133T             | HD20015210     |         |             |                    |                                       |                |
| D873    |             |                    | DIODE,1SS133T             | HD20015210     |         |             |                    |                                       |                |
| D884    |             |                    | DIODE,1SS133T             | HD20015210     |         |             |                    |                                       |                |
| IC872   |             |                    | IC,NJM2296M SOP16         | HC10210090     |         |             |                    |                                       |                |
| IC874   |             |                    | IC,BU4094BCF-E2 SOP16     | *HC400010R     |         |             |                    |                                       |                |
| Q821    |             |                    | TRS.2SA933S TO92M         | *HT100610R     |         |             |                    |                                       |                |
| Q822    |             |                    | TRS.2SC,KTC2874B TO92     | *HT300880R     |         |             |                    |                                       |                |
| Q870    |             |                    | TRS.RC,KRC107M TO92M      | *BA001190R     |         |             |                    |                                       |                |
| Q871    |             |                    | TRS.RB,KRA107M            | *BA000190R     |         |             |                    |                                       |                |

NOTE : \*nsp PART IS LISTED FOR REFERENCE ONLY, MARANTZ WILL NOT SUPPLY THESE PARTS.

PS7200

| POS. NO | VERS. COLOR | PART NO. (FOR PCS) | DESCRIPTION                | PART NO. (MJI) | POS. NO | VERS. COLOR | PART NO. (FOR PCS)      | DESCRIPTION             | PART NO. (MJI) |
|---------|-------------|--------------------|----------------------------|----------------|---------|-------------|-------------------------|-------------------------|----------------|
|         |             |                    | <b>MAIN CIRCUIT BOARD</b>  |                |         |             |                         | <b>MAIN - RESISTORS</b> |                |
|         |             |                    | <b>MAIN - CAPACITORS</b>   |                | R101    |             |                         |                         |                |
| C101    |             |                    | FILM,0.1µF-K/250V          | nsp            | ∫       |             | 0.22-J 1W               |                         | *GA000200R     |
| C102    |             |                    | FILM,0.047µF-J/100V        | nsp            | R104    |             |                         |                         |                |
| C103    |             |                    | FILM,0.047µF-J/100V        | nsp            | R105C   |             | 10-J 2W                 |                         | GA05100020     |
| C104C   |             |                    | FILM,0.1µF-K/63V           | nsp            | R105FL  |             | 10-J 2W                 |                         | GA05100020     |
| C104FL  |             |                    | FILM,0.1µF-K/63V           | nsp            | R105FR  |             | 10-J 2W                 |                         | GA05100020     |
| C104FR  |             |                    | FILM,0.1µF-K/63V           | nsp            | R105SC  |             | 10-J 2W                 |                         | GA05100020     |
| C104SC  |             |                    | FILM,0.1µF-K/63V           | nsp            | R105SL  |             | 10-J 2W                 |                         | GA05100020     |
| C104SL  |             |                    | FILM,0.1µF-K/63V           | nsp            | R105SR  |             | 10-J 2W                 |                         | GA05100020     |
| C104SR  |             |                    | FILM,0.1µF-K/63V           | nsp            | R107    |             | 2.7K-J 1/6W             |                         | nsp            |
| C105C   |             |                    | FILM,0.1µF-K/63V           | nsp            | R108    |             | 2.7K-J 1/6W             |                         | nsp            |
| C105FL  |             |                    | FILM,0.1µF-K/63V           | nsp            | R109    |             | 560K-J 1/6W             |                         | nsp            |
| C105FR  |             |                    | FILM,0.1µF-K/63V           | nsp            | R110    |             | 3.6K-J 1/6W             |                         | nsp            |
| C105SC  |             |                    | FILM,0.1µF-K/63V           | nsp            | R111    |             | 22K-J 1/6W              |                         | nsp            |
| C105SL  |             |                    | FILM,0.1µF-K/63V           | nsp            | R112    |             | 910-J 1/6W              |                         | nsp            |
| C105SR  |             |                    | FILM,0.1µF-K/63V           | nsp            | R113    |             | 1K-J 1/6W               |                         | nsp            |
| C106    |             |                    | FILM,0.1µF-K/250V          | nsp            | R114    |             | CEMENT,0.1-J/5W W14*H17 |                         | *GO000011R     |
| C107    |             |                    | FILM,0.1µF-K/250V          | nsp            | R115    |             | CEMENT,0.1-J/5W W14*H17 |                         | *GO000011R     |
| C108    |             |                    |                            |                | R116    |             | 27K-J 1/6W              |                         | nsp            |
| ∫       |             |                    | FILM,0.047µF-J/100V        | nsp            | R117    |             | 27K-J 1/6W              |                         | nsp            |
| C111    |             |                    |                            |                | R118    |             | 2.2K-J 1/6W             |                         | nsp            |
| C114    |             |                    | ELECT,2200µF-M/35V 18*35.5 | nsp            | R119    |             | 2.2K-J 1/6W             |                         | nsp            |
| C115    |             |                    | ELECT,2200µF-M/35V 18*35.5 | nsp            | R120    |             | 560K-J 1/6W             |                         | nsp            |
| C116    |             |                    | CER.,0.01µF-K/50V          | nsp            | R122    |             |                         |                         |                |
| C117    |             |                    | ELECT,10000µF-M/16V 18*35  | nsp            | ∫       |             | 27K-J 1/6W              |                         | nsp            |
| C118    |             |                    | ELECT,2200µF-M/16V 12.5*20 | nsp            | R127    |             |                         |                         |                |
| C119    |             |                    | ELECT,15000µF-M/71V 35*75  | *EA001140R     | R128    |             | 51K-J 1/6W              |                         | nsp            |
| C120    |             |                    | ELECT,15000µF-M/71V 35*75  | *EA001140R     | R129    |             | 51K-J 1/6W              |                         | nsp            |
| C121    |             |                    | ELECT,10µF-M/50V 5*11      | nsp            | R130    |             | 15K-J 1/6W              |                         | nsp            |
| C122    |             |                    | FILM,0.1µF-K/250V          | nsp            | R131    |             | 33K-J 1/6W              |                         | nsp            |
| C123    |             |                    | FILM,0.1µF-K/250V          | nsp            | R133    |             | 2.2K-J 1/6W             |                         | nsp            |
| C124    |             |                    | CER.,0.01µF-K/50V          | nsp            | R134    |             | 100K-J 1/6W             |                         | nsp            |
| C125    |             |                    |                            |                | R137    |             |                         |                         |                |
| ∫       |             |                    | ELECT,1µF-M/50V 5*11       | nsp            | ∫       |             | 22K-J 1/6W              |                         | nsp            |
| C129    |             |                    |                            |                | R142    |             |                         |                         |                |
| C132    |             |                    | ELECT,100µF-M/25V 6.3*11   | nsp            | R143    |             | 3.3K-J 1/6W             |                         | nsp            |
| C135    |             |                    | CER.,0.1µF-Z/50V           | nsp            | R144    |             | 15K-J 1/6W              |                         | nsp            |
| C140    |             |                    | ELECT,4.7µF-M/50V 5*11     | nsp            | R146    |             | 1.2K-J 1W               |                         | nsp            |
| C141    |             |                    | ELECT,470µF-M/16V,8*11.5   | nsp            | R147    |             | 22K-J 1/6W              |                         | nsp            |
| C142    |             |                    | ELECT,470µF-M/16V,8*11.5   | nsp            | R148    |             | 22K-J 1/6W              |                         | nsp            |
| C143    |             |                    | CER.,0.1µF-Z/50V           | nsp            | R149    |             | 1K-J 1/6W               |                         | nsp            |
| C144    |             |                    | CER.,0.1µF-Z/50V           | nsp            | R150    |             | 18K-J 1/6W              |                         | nsp            |
| C145    |             |                    | ELECT,10µF-M/100V 6.3*11   | *EA001080R     | R151    |             | 1K-J 1/6W               |                         | nsp            |
| C146    |             |                    | ELECT,10µF-M/50V 5*11      | nsp            | R152    |             | 1.2K-J 1W               |                         | nsp            |
| C147    |             |                    | CER.,0.1µF-Z/50V           | nsp            | R153    |             | 1K-J 1/6W               |                         | nsp            |
| C148    |             |                    | CER.,0.1µF-Z/50V           | nsp            | R154    |             | 1.2K-J 1W               |                         | nsp            |
| C149    |             |                    | ELECT,4.7µF-M/50V 5*11     | nsp            | R155    |             | 4.7K-J 1/6W             |                         | nsp            |
| C150    |             |                    | ELECT,47µF-M/16V 5*11      | nsp            | R156    |             | 100K-J 1/6W             |                         | nsp            |
| C151    |             |                    | ELECT,8200µF-M/5.5V        | *EX000080R     | R157    |             | 100K-J 1/6W             |                         | nsp            |
| C152    |             |                    | CER.,100pF-K/50V           | nsp            | R158    |             | 100K-J 1/6W             |                         | nsp            |
| C160    |             |                    | CER.,100pF-K/50V           | nsp            | R159    |             | 1K-J 1/6W               |                         | nsp            |
| C161    |             |                    | CER.,100pF-K/50V           | nsp            | R161    |             | 1M-J 1/6W               |                         | nsp            |
| C164    |             |                    | CER.,220pF-K/50V           | nsp            | R162    |             | 47K-J 1/6W              |                         | nsp            |
| C165    |             |                    | CER.,0.001µF-K/50V         | nsp            | R163    |             | 18K-J 1/6W              |                         | nsp            |
| C166    |             |                    | CER.,0.01µF-M/16V          | nsp            | R164    |             | 47K-J 1/6W              |                         | nsp            |
| C168    |             |                    | CER.,10pF-J/50V            | nsp            | R165    |             | 4.7K-J 1/6W             |                         | nsp            |
| C169    |             |                    |                            |                | R166    |             | 47K-J 1/6W              |                         | nsp            |
| ∫       |             |                    | CER.,0.047µF-Z/50V         | nsp            | R167    |             | 10K-J 1/6W              |                         | nsp            |
| C173    |             |                    |                            |                | R168    |             | 47K-J 1/6W              |                         | nsp            |
| C175    |             |                    | CER.,47pF-J/50V            | nsp            | R169    |             | 220-J 1/6W              |                         | nsp            |
|         |             |                    |                            |                | R170    |             | 100K-J 1/6W             |                         | nsp            |
|         |             |                    |                            |                | R171    |             | 47K-J 1/6W              |                         | nsp            |

NOTE : \*nsp\* PART IS LISTED FOR REFERENCE ONLY, MARANTZ WILL NOT SUPPLY THESE PARTS.

PS7200

| POS. NO | VERS. COLOR | PART NO. (FOR PCS) | DESCRIPTION                     | PART NO. (MJI) | POS. NO | VERS. COLOR | PART NO. (FOR PCS) | DESCRIPTION                       | PART NO. (MJI) |
|---------|-------------|--------------------|---------------------------------|----------------|---------|-------------|--------------------|-----------------------------------|----------------|
| R172    |             |                    | 10K-J 1/6W                      | nsp            | Q126    |             |                    | TRS.RC,KRC107M TO92M              | *BA001190R     |
| R173    |             |                    | 150K-J 1/6W                     | nsp            | Q127    |             |                    | TRS.RA,KRA102M TO92M              | *BA001210R     |
| R174    |             |                    | 47K-J 1/6W                      | nsp            | Q128    |             |                    | TRS.RA,KRA102M TO92M              | *BA001210R     |
| R176    |             |                    | 47K-J 1/6W                      | nsp            | Q129    |             |                    | TRS.RC,KRC102M TO92M              | *BA001180R     |
| R177    |             |                    | 470K-J 1/6W                     | nsp            | Q130    |             |                    | TRS.RC,KRC107M TO92M              | *BA001190R     |
| R178    |             |                    | 100-J 1/6W                      | nsp            | Q131    |             |                    |                                   |                |
| R179    |             |                    | 47K-J 1/6W                      | nsp            | §       |             |                    | TRS.RA,KRA102M TO92M              | *BA001210R     |
| R183    |             |                    | 47K-J 1/6W                      | nsp            | Q135    |             |                    |                                   |                |
| R185    |             |                    | 100K-J 1/6W                     | nsp            | Q136    |             |                    | TRS.2SA,KSA992F TO92              | *HT100590R     |
| R186    |             |                    | 100K-J 1/6W                     | nsp            | Q137    |             |                    | TRS.2SC,KTC3198Y TO92             | *HT300900R     |
| R192    |             |                    | 47K-J 1/6W                      | nsp            | ZD121   |             |                    | D ZENER,MTZJ5.1B                  | HD30511000     |
| R193    |             |                    | 3.3-J 1W                        | nsp            | ZD122   |             |                    | D ZENER,MTZJ5.1B                  | HD30511000     |
| R194    |             |                    |                                 |                |         |             |                    |                                   |                |
| §       |             |                    | 10K-J 1/6W                      | nsp            |         |             |                    | <b>MAIN - MISCELLANEOUS</b>       |                |
| R198    |             |                    |                                 |                | BEAD101 |             |                    |                                   |                |
| R199    |             |                    | 1K-J 1/6W                       | nsp            | §       |             |                    | BEAD COIL,                        | nsp            |
| R200    |             |                    | 47K-J 1/6W                      | nsp            |         |             |                    | BAS3580T0 3.5PHI*8                |                |
| R202    |             |                    | 100-J 1/4W                      | nsp            | BEAD105 |             |                    |                                   |                |
| R203    |             |                    | 10K-J 1/6W                      | nsp            | CN107   |             |                    | CN WIRE,250MM/4P                  | nsp            |
| R204    |             |                    | 47K-J 1/6W                      | nsp            | CNT108  |             |                    | CN WIRE,420MM/4P                  | nsp            |
|         |             |                    |                                 |                | CP101   |             |                    | CN.WAFE2.5MM,                     | nsp            |
|         |             |                    |                                 |                |         |             |                    | 53421-1317 ST ZIP                 |                |
|         |             |                    | <b>MAIN - SEMICONDUCTORS</b>    |                | CP102   |             |                    | CN.WAFE2.0MM,                     | nsp            |
| D101    |             |                    |                                 |                |         |             |                    | TUC-P06P-B1 6P WAFER ST           |                |
| §       |             |                    | DIODE,IN4007                    | *HD201570R     | CP103   |             |                    | CN.WAFE2.0MM,                     | nsp            |
| D105    |             |                    |                                 |                |         |             |                    | TUC-P09P-B1 9P WAFER ST           |                |
| D106    |             |                    | D RECTIFIEBRIDGE,<br>KBPC604 6A | *HE200300R     | CP104   |             |                    | CN.WAFE2.0MM,                     | nsp            |
|         |             |                    |                                 |                |         |             |                    | 35336-1310 13P                    |                |
| D107    |             |                    | D RECTIFIEBRIDGE,<br>KBPC604 6A | *HE200300R     | CP105   |             |                    | CN.WAFE2.0MM,                     | nsp            |
|         |             |                    |                                 |                |         |             |                    | TUC-P09P-B1 9P WAFER ST           |                |
| D108    |             |                    | DIODE,IN4007                    | *HD201570R     | CP106   |             |                    | CN.WAFE2.0MM,                     | nsp            |
| D109    |             |                    | DIODE,IN4007                    | *HD201570R     |         |             |                    | TUC-P15P-B1 WAFER ST              |                |
| D110    |             |                    | DIODE,1SS133T                   | HD20015210     | CP108   |             |                    | CN.WAFE2.0MM,                     | nsp            |
| D111    |             |                    | DIODE,IN4007                    | *HD201570R     |         |             |                    | TUC-P20P-B1 WAFER ST              |                |
| D113    |             |                    |                                 |                | CP109   |             |                    | CN.WAFE2.0MM,                     | nsp            |
| §       |             |                    | DIODE,1SS133T                   | HD20015210     |         |             |                    | 35336-1310 13P                    |                |
| D129    |             |                    |                                 |                | CP110   |             |                    | CN.WAFE2.0MM,                     | nsp            |
| IC101   |             |                    | IC,KA7815/IL7815CV              | *HC300150R     |         |             |                    | TUC-P15P-B1 WAFER ST              |                |
| IC102   |             |                    | IC,KIA7915PI TO220IS            | *HC300200R     | CP111   |             |                    | CN.WAFE2.0MM,                     | nsp            |
| IC103   |             |                    | IC,KA7805                       | *HC300140R     |         |             |                    | TUC-P12P-B1 12P WAFER ST          |                |
| IC104   |             |                    | IC,KA7805                       | *HC300140R     | CP112   |             |                    | CN.WAFE2.0MM,                     | nsp            |
| IC105   |             |                    | IC,KIA7905PI TO220IS            | *HC300190R     |         |             |                    | TUC-P15P-B1 WAFER ST              |                |
| IC106   |             |                    | IC,CD4094BCN DIP16              | *HC400020R     | CP113   |             |                    | CN.WAFE2.0MM,                     | nsp            |
| IC107   |             |                    | IC,CXP740010-149Q QFP100        | *HU100570R     |         |             |                    | TUC-P18P-B1 WAFER ST              |                |
| Q101    |             |                    | TRS.2SA,KA1268BL TO92           | *HT100340R     | CP114   |             |                    | CN.WAFE2.0MM,                     | nsp            |
| Q102    |             |                    | TRS.2SC,KTC3200BL TO92          | HT322402A0     |         |             |                    | TUC-P15P-B1 WAFER ST              |                |
| Q103    |             |                    | TRS.2SA,KA1268BL TO92           | *HT100340R     | CP115   |             |                    | CN.WAFE2.0MM,                     | nsp            |
| Q104    |             |                    | TRS.2SA,KA1268BL TO92           | *HT100340R     |         |             |                    | TUC-P20P-B1 WAFER ST              |                |
| Q105    |             |                    | TRS.2SC,KTC3200BL TO92          | HT322402A0     | CP120   |             |                    | CN.WAFE2.5MM,5267-06A 6P          | nsp            |
| Q106    |             |                    | TRS.2SA,KA1268BL TO92           | *HT100340R     | CP121   |             |                    | CN.WAFE3.96MM,35328-0310          | nsp            |
| Q107    |             |                    | TRS.2SC,KTC3200BL TO92          | HT322402A0     | CP122   |             |                    | CN.WAFE2.5MM,5267-03A 3P          | nsp            |
| Q108    |             |                    |                                 |                | CP123   |             |                    | CN.WAFE2.5MM,5267-10A 10P         | nsp            |
| §       |             |                    | TRS.RC,KRC107M TO92M            | *BA001190R     | CP124   |             |                    | CN.WAFE2.5MM,5267-09A 9P          | nsp            |
| Q112    |             |                    |                                 |                | CP150   |             |                    | CN WIRE,200MM/2P                  | nsp            |
| Q115    |             |                    | TRS.2SC,KTC3200BL TO92          | HT322402A0     | FPC109  |             |                    | CABLE,FLAT CARD                   | *YU000930R     |
| Q116    |             |                    | TRS.2SC,KTC3200BL TO92          | HT322402A0     | FPC109A |             |                    | CN.FP1.25MM,                      | nsp            |
| Q117    |             |                    | TRS.2SA,KA1268BL TO92           | *HT100340R     |         |             |                    | 52045-2345 23P ST                 |                |
| Q118    |             |                    | TRS.2SA,KA1268BL TO92           | *HT100340R     | GND101  |             |                    |                                   |                |
| Q119    |             |                    | TRS.2SC,KTC3200BL TO92          | HT322402A0     | §       |             |                    | TERMINAL,                         | nsp            |
| Q120    |             |                    | TRS.2SC,KTC3200BL TO92          | HT322402A0     |         |             |                    | ALL PBST/GND PLATE                |                |
| Q121    |             |                    | TRS.RA,KRA102M TO92M            | *BA001210R     | GND105  |             |                    |                                   |                |
| Q122    |             |                    | TRS.RA,KRA102M TO92M            | *BA001210R     | RLY102  |             |                    |                                   |                |
| Q123    |             |                    | TRS.RC,KRC102M TO92M            | *BA001180R     | §       |             |                    | RELAY,G5PA-28 24V 5A              | LY20240490     |
| Q124    |             |                    | TRS.RA,KRA102M TO92M            | *BA001210R     | RLY106  |             |                    |                                   |                |
| Q125    |             |                    | TRS.RA,KRA102M TO92M            | *BA001210R     | W101    |             |                    | WIRE LEAD 1007 80C,<br>BK 5-160-5 | nsp            |

NOTE : \*nsp\* PART IS LISTED FOR REFERENCE ONLY, MARANTZ WILL NOT SUPPLY THESE PARTS.

PS7200

| POS. NO | VERS. COLOR | PART NO. (FOR PCS) | DESCRIPTION                        | PART NO. (MJI) | POS. NO | VERS. COLOR | PART NO. (FOR PCS) | DESCRIPTION            | PART NO. (MJI) |
|---------|-------------|--------------------|------------------------------------|----------------|---------|-------------|--------------------|------------------------|----------------|
| WIRE102 |             |                    | WIRE LEAD 1007 80C,BK5-50-5        | nsp            | C212R   |             |                    | ELECT,10µF-M/50V 5*11  | nsp            |
| XTAL101 |             |                    | RESONATOR CERAMIC, CST12.0MTW-TF01 | *FQ000530R     | C212SC  |             |                    | ELECT,10µF-M/50V 5*11  | nsp            |
|         |             |                    | <b>AMP CIRCUIT BOARD</b>           |                | C212SL  |             |                    | ELECT,10µF-M/50V 5*11  | nsp            |
|         |             |                    | <b>AMP - CAPACITORS</b>            |                | C212SR  |             |                    | ELECT,10µF-M/50V 5*11  | nsp            |
| C201C   |             |                    | ELECT,4.7µF-M/50V 5*11             | nsp            | C214C   |             |                    | CER.,1pF-K/50V         | nsp            |
| C201L   |             |                    | ELECT,4.7µF-M/50V 5*11             | nsp            | C214L   |             |                    | CER.,1pF-K/50V         | nsp            |
| C201R   |             |                    | ELECT,4.7µF-M/50V 5*11             | nsp            | C214R   |             |                    | CER.,1pF-K/50V         | nsp            |
| C201SC  |             |                    | ELECT,4.7µF-M/50V 5*11             | nsp            | C214SC  |             |                    | CER.,1pF-K/50V         | nsp            |
| C201SL  |             |                    | ELECT,4.7µF-M/50V 5*11             | nsp            | C214SL  |             |                    | CER.,1pF-K/50V         | nsp            |
| C201SR  |             |                    | ELECT,4.7µF-M/50V 5*11             | nsp            | C214SR  |             |                    | CER.,1pF-K/50V         | nsp            |
| C202C   |             |                    | CER.,330pF-K/50V                   | nsp            | C215C   |             |                    | CER.,100pF-K/50V       | nsp            |
| C202L   |             |                    | CER.,330pF-K/50V                   | nsp            | C215L   |             |                    | CER.,100pF-K/50V       | nsp            |
| C202R   |             |                    | CER.,330pF-K/50V                   | nsp            | C215R   |             |                    | CER.,100pF-K/50V       | nsp            |
| C202SC  |             |                    | CER.,330pF-K/50V                   | nsp            | C215SC  |             |                    | CER.,100pF-K/50V       | nsp            |
| C202SL  |             |                    | CER.,330pF-K/50V                   | nsp            | C215SL  |             |                    | CER.,100pF-K/50V       | nsp            |
| C202SR  |             |                    | CER.,330pF-K/50V                   | nsp            | C215SR  |             |                    | CER.,100pF-K/50V       | nsp            |
| C203C   |             |                    | CER.,0.001µF-K/50V                 | nsp            |         |             |                    | <b>AMP - RESISTORS</b> |                |
| C203L   |             |                    | CER.,0.001µF-K/50V                 | nsp            | R201C   |             |                    | 1K-J 1/6W              | nsp            |
| C203R   |             |                    | CER.,0.001µF-K/50V                 | nsp            | R201L   |             |                    | 1K-J 1/6W              | nsp            |
| C203SC  |             |                    | CER.,0.001µF-K/50V                 | nsp            | R201R   |             |                    | 1K-J 1/6W              | nsp            |
| C203SL  |             |                    | CER.,0.001µF-K/50V                 | nsp            | R201SC  |             |                    | 1K-J 1/6W              | nsp            |
| C203SR  |             |                    | CER.,0.001µF-K/50V                 | nsp            | R201SL  |             |                    | 1K-J 1/6W              | nsp            |
|         |             |                    |                                    |                | R201SR  |             |                    | 1K-J 1/6W              | nsp            |
| C204C   |             |                    | ELECT,22µF-M/50V 6*11              | nsp            | R202C   |             |                    | 33K-J 1/6W             | nsp            |
| C204L   |             |                    | ELECT,22µF-M/50V 6*11              | nsp            | R202L   |             |                    | 33K-J 1/6W             | nsp            |
| C204R   |             |                    | ELECT,22µF-M/50V 6*11              | nsp            | R202R   |             |                    | 33K-J 1/6W             | nsp            |
| C204SC  |             |                    | ELECT,22µF-M/50V 6*11              | nsp            | R202SC  |             |                    | 33K-J 1/6W             | nsp            |
| C204SL  |             |                    | ELECT,22µF-M/50V 6*11              | nsp            | R202SL  |             |                    | 33K-J 1/6W             | nsp            |
| C204SR  |             |                    | ELECT,22µF-M/50V 6*11              | nsp            | R202SR  |             |                    | 33K-J 1/6W             | nsp            |
| C205C   |             |                    | ELECT,22µF-M/50V 6*11              | nsp            | R203C   |             |                    | 15-J 1/6W              | nsp            |
| C205L   |             |                    | ELECT,22µF-M/50V 6*11              | nsp            | R203L   |             |                    | 15-J 1/6W              | nsp            |
| C205R   |             |                    | ELECT,22µF-M/50V 6*11              | nsp            | R203R   |             |                    | 15-J 1/6W              | nsp            |
| C205SC  |             |                    | ELECT,22µF-M/50V 6*11              | nsp            | R203SC  |             |                    | 15-J 1/6W              | nsp            |
| C205SL  |             |                    | ELECT,22µF-M/50V 6*11              | nsp            | R203SL  |             |                    | 15-J 1/6W              | nsp            |
| C205SR  |             |                    | ELECT,22µF-M/50V 6*11              | nsp            | R203SR  |             |                    | 15-J 1/6W              | nsp            |
| C206C   |             |                    | ELECT,220µF-M/10V 6.3*11           | nsp            | R204C   |             |                    | 15-J 1/6W              | nsp            |
| C206L   |             |                    | ELECT,220µF-M/10V 6.3*11           | nsp            | R204L   |             |                    | 15-J 1/6W              | nsp            |
| C206R   |             |                    | ELECT,220µF-M/10V 6.3*11           | nsp            | R204R   |             |                    | 15-J 1/6W              | nsp            |
| C206SC  |             |                    | ELECT,220µF-M/10V 6.3*11           | nsp            | R204SC  |             |                    | 15-J 1/6W              | nsp            |
| C206SL  |             |                    | ELECT,220µF-M/10V 6.3*11           | nsp            | R204SL  |             |                    | 15-J 1/6W              | nsp            |
| C206SR  |             |                    | ELECT,220µF-M/10V 6.3*11           | nsp            | R204SR  |             |                    | 15-J 1/6W              | nsp            |
| C209C   |             |                    | ELECT,10µF-M/50V 5*11              | nsp            | R205C   |             |                    | 750-J 1/6W             | nsp            |
| C209L   |             |                    | ELECT,10µF-M/50V 5*11              | nsp            | R205L   |             |                    | 750-J 1/6W             | nsp            |
| C209R   |             |                    | ELECT,10µF-M/50V 5*11              | nsp            | R205R   |             |                    | 750-J 1/6W             | nsp            |
| C209SC  |             |                    | ELECT,10µF-M/50V 5*11              | nsp            | R205SC  |             |                    | 750-J 1/6W             | nsp            |
| C209SL  |             |                    | ELECT,10µF-M/50V 5*11              | nsp            | R205SL  |             |                    | 750-J 1/6W             | nsp            |
| C209SR  |             |                    | ELECT,10µF-M/50V 5*11              | nsp            | R205SR  |             |                    | 750-J 1/6W             | nsp            |
|         |             |                    |                                    |                | R206C   |             |                    | 750-J 1/6W             | nsp            |
| C210C   |             |                    | ELECT,47µF-M/100V 10*12.5          | *EA001090R     | R206L   |             |                    | 750-J 1/6W             | nsp            |
| C210L   |             |                    | ELECT,47µF-M/100V 10*12.5          | *EA001090R     | R206R   |             |                    | 750-J 1/6W             | nsp            |
| C210R   |             |                    | ELECT,47µF-M/100V 10*12.5          | *EA001090R     | R206SC  |             |                    | 750-J 1/6W             | nsp            |
| C210SC  |             |                    | ELECT,47µF-M/100V 10*12.5          | *EA001090R     | R206SL  |             |                    | 750-J 1/6W             | nsp            |
| C210SL  |             |                    | ELECT,47µF-M/100V 10*12.5          | *EA001090R     | R206SR  |             |                    | 750-J 1/6W             | nsp            |
| C210SR  |             |                    | ELECT,47µF-M/100V 10*12.5          | *EA001090R     | R207C   |             |                    | 470-J 1/6W             | nsp            |
| C211C   |             |                    | ELECT,47µF-M/100V 10*12.5          | *EA001090R     | R207L   |             |                    | 470-J 1/6W             | nsp            |
| C211L   |             |                    | ELECT,47µF-M/100V 10*12.5          | *EA001090R     | R207R   |             |                    | 470-J 1/6W             | nsp            |
| C211R   |             |                    | ELECT,47µF-M/100V 10*12.5          | *EA001090R     | R207SC  |             |                    | 470-J 1/6W             | nsp            |
| C211SC  |             |                    | ELECT,47µF-M/100V 10*12.5          | *EA001090R     | R207SL  |             |                    | 470-J 1/6W             | nsp            |
| C211SL  |             |                    | ELECT,47µF-M/100V 10*12.5          | *EA001090R     | R207SR  |             |                    | 470-J 1/6W             | nsp            |
| C211SR  |             |                    | ELECT,47µF-M/100V 10*12.5          | *EA001090R     | R208C   |             |                    | 68-J 1/6W              | nsp            |
| C212C   |             |                    | ELECT,10µF-M/50V 5*11              | nsp            | R208L   |             |                    | 68-J 1/6W              | nsp            |
| C212L   |             |                    | ELECT,10µF-M/50V 5*11              | nsp            |         |             |                    |                        |                |

NOTE : \*nsp\* PART IS LISTED FOR REFERENCE ONLY, MARANTZ WILL NOT SUPPLY THESE PARTS.

PS7200

| POS. NO | VERS. COLOR | PART NO. (FOR PCS) | DESCRIPTION | PART NO. (MJI) | POS. NO | VERS. COLOR | PART NO. (FOR PCS) | DESCRIPTION | PART NO. (MJI) |
|---------|-------------|--------------------|-------------|----------------|---------|-------------|--------------------|-------------|----------------|
| R208R   |             |                    | 68-J 1/6W   | nsp            | R219SC  |             |                    | 560-J 1/6W  | nsp            |
| R208SC  |             |                    | 68-J 1/6W   | nsp            | R219SL  |             |                    | 560-J 1/6W  | nsp            |
| R208SL  |             |                    | 68-J 1/6W   | nsp            | R219SR  |             |                    | 560-J 1/6W  | nsp            |
| R208SR  |             |                    | 68-J 1/6W   | nsp            | R220C   |             |                    | 560-J 1/6W  | nsp            |
| R209C   |             |                    | 150-J 1/6W  | nsp            | R220L   |             |                    | 560-J 1/6W  | nsp            |
| R209L   |             |                    | 150-J 1/6W  | nsp            | R220R   |             |                    | 560-J 1/6W  | nsp            |
| R209R   |             |                    | 150-J 1/6W  | nsp            | R220SC  |             |                    | 560-J 1/6W  | nsp            |
| R209SC  |             |                    | 150-J 1/6W  | nsp            | R220SL  |             |                    | 560-J 1/6W  | nsp            |
| R209SL  |             |                    | 150-J 1/6W  | nsp            | R220SR  |             |                    | 560-J 1/6W  | nsp            |
| R209SR  |             |                    | 150-J 1/6W  | nsp            | R221C   |             |                    | 82-J 1/6W   | nsp            |
| R210C   |             |                    | 10K-J 1/6W  | nsp            | R221L   |             |                    | 82-J 1/6W   | nsp            |
| R210L   |             |                    | 10K-J 1/6W  | nsp            | R221R   |             |                    | 82-J 1/6W   | nsp            |
| R210R   |             |                    | 10K-J 1/6W  | nsp            | R221SC  |             |                    | 82-J 1/6W   | nsp            |
| R210SC  |             |                    | 10K-J 1/6W  | nsp            | R221SL  |             |                    | 82-J 1/6W   | nsp            |
| R210SL  |             |                    | 10K-J 1/6W  | nsp            | R221SR  |             |                    | 82-J 1/6W   | nsp            |
| R210SR  |             |                    | 10K-J 1/6W  | nsp            | R222C   |             |                    | 82-J 1/6W   | nsp            |
| R211C   |             |                    | 43K-J 1/6W  | nsp            | R222L   |             |                    | 82-J 1/6W   | nsp            |
| R211L   |             |                    | 43K-J 1/6W  | nsp            | R222R   |             |                    | 82-J 1/6W   | nsp            |
| R211R   |             |                    | 43K-J 1/6W  | nsp            | R222SC  |             |                    | 82-J 1/6W   | nsp            |
| R211SC  |             |                    | 43K-J 1/6W  | nsp            | R222SL  |             |                    | 82-J 1/6W   | nsp            |
| R211SL  |             |                    | 43K-J 1/6W  | nsp            | R222SR  |             |                    | 82-J 1/6W   | nsp            |
| R211SR  |             |                    | 43K-J 1/6W  | nsp            |         |             |                    |             |                |
|         |             |                    |             |                | R223C   |             |                    | 22K-J 1/6W  | nsp            |
| R212C   |             |                    | 1.2K-J 1/6W | nsp            | R223L   |             |                    | 22K-J 1/6W  | nsp            |
| R212L   |             |                    | 1.2K-J 1/6W | nsp            | R223R   |             |                    | 22K-J 1/6W  | nsp            |
| R212R   |             |                    | 1.2K-J 1/6W | nsp            | R223SC  |             |                    | 22K-J 1/6W  | nsp            |
| R212SC  |             |                    | 1.2K-J 1/6W | nsp            | R223SL  |             |                    | 22K-J 1/6W  | nsp            |
| R212SL  |             |                    | 1.2K-J 1/6W | nsp            | R223SR  |             |                    | 22K-J 1/6W  | nsp            |
| R212SR  |             |                    | 1.2K-J 1/6W | nsp            | R224C   |             |                    | 22K-J 1/6W  | nsp            |
| R213C   |             |                    | 33K-J 1/6W  | nsp            | R224L   |             |                    | 22K-J 1/6W  | nsp            |
| R213L   |             |                    | 33K-J 1/6W  | nsp            | R224R   |             |                    | 22K-J 1/6W  | nsp            |
| R213R   |             |                    | 33K-J 1/6W  | nsp            | R224SC  |             |                    | 22K-J 1/6W  | nsp            |
| R213SC  |             |                    | 33K-J 1/6W  | nsp            | R224SL  |             |                    | 22K-J 1/6W  | nsp            |
| R213SL  |             |                    | 33K-J 1/6W  | nsp            | R224SR  |             |                    | 22K-J 1/6W  | nsp            |
| R213SR  |             |                    | 33K-J 1/6W  | nsp            | R225C   |             |                    | 4.7-J 1/6W  | nsp            |
| R214C   |             |                    | 560-J 1/6W  | nsp            | R225L   |             |                    | 4.7-J 1/6W  | nsp            |
| R214L   |             |                    | 560-J 1/6W  | nsp            | R225R   |             |                    | 4.7-J 1/6W  | nsp            |
| R214R   |             |                    | 560-J 1/6W  | nsp            | R225SC  |             |                    | 4.7-J 1/6W  | nsp            |
| R214SC  |             |                    | 560-J 1/6W  | nsp            | R225SL  |             |                    | 4.7-J 1/6W  | nsp            |
| R214SL  |             |                    | 560-J 1/6W  | nsp            | R225SR  |             |                    | 4.7-J 1/6W  | nsp            |
| R214SR  |             |                    | 560-J 1/6W  | nsp            |         |             |                    |             |                |
|         |             |                    |             |                | R228C   |             |                    | 220-J 1/4W  | nsp            |
| R216C   |             |                    | 560-J 1/6W  | nsp            | R228L   |             |                    | 220-J 1/4W  | nsp            |
| R216L   |             |                    | 560-J 1/6W  | nsp            | R228R   |             |                    | 220-J 1/4W  | nsp            |
| R216R   |             |                    | 560-J 1/6W  | nsp            | R228SC  |             |                    | 220-J 1/4W  | nsp            |
| R216SC  |             |                    | 560-J 1/6W  | nsp            | R228SL  |             |                    | 220-J 1/4W  | nsp            |
| R216SL  |             |                    | 560-J 1/6W  | nsp            | R228SR  |             |                    | 220-J 1/4W  | nsp            |
| R216SR  |             |                    | 560-J 1/6W  | nsp            | R229C   |             |                    | 220-J 1/4W  | nsp            |
| R217C   |             |                    | 560-J 1/6W  | nsp            | R229L   |             |                    | 220-J 1/4W  | nsp            |
| R217L   |             |                    | 560-J 1/6W  | nsp            | R229R   |             |                    | 220-J 1/4W  | nsp            |
| R217R   |             |                    | 560-J 1/6W  | nsp            | R229SC  |             |                    | 220-J 1/4W  | nsp            |
| R217SC  |             |                    | 560-J 1/6W  | nsp            | R229SL  |             |                    | 220-J 1/4W  | nsp            |
| R217SL  |             |                    | 560-J 1/6W  | nsp            | R229SR  |             |                    | 220-J 1/4W  | nsp            |
| R217SR  |             |                    | 560-J 1/6W  | nsp            | R231C   |             |                    | 4.7-J 1/6W  | nsp            |
| R218C   |             |                    | 560-J 1/6W  | nsp            | R231L   |             |                    | 4.7-J 1/6W  | nsp            |
| R218L   |             |                    | 560-J 1/6W  | nsp            | R231R   |             |                    | 4.7-J 1/6W  | nsp            |
| R218R   |             |                    | 560-J 1/6W  | nsp            | R231SC  |             |                    | 4.7-J 1/6W  | nsp            |
| R218SC  |             |                    | 560-J 1/6W  | nsp            | R231SL  |             |                    | 4.7-J 1/6W  | nsp            |
| R218SL  |             |                    | 560-J 1/6W  | nsp            | R231SR  |             |                    | 4.7-J 1/6W  | nsp            |
| R218SR  |             |                    | 560-J 1/6W  | nsp            | R232C   |             |                    | 4.7-J 1/6W  | nsp            |
| R219C   |             |                    | 560-J 1/6W  | nsp            | R232L   |             |                    | 4.7-J 1/6W  | nsp            |
| R219L   |             |                    | 560-J 1/6W  | nsp            | R232R   |             |                    | 4.7-J 1/6W  | nsp            |
| R219R   |             |                    | 560-J 1/6W  | nsp            | R232SC  |             |                    | 4.7-J 1/6W  | nsp            |

NOTE : \*nsp\* PART IS LISTED FOR REFERENCE ONLY, MARANTZ WILL NOT SUPPLY THESE PARTS.

PS7200

| POS. NO                     | VERS. COLOR | PART NO. (FORPCS) | DESCRIPTION          | PART NO. (MJI) | POS. NO | VERS. COLOR | PART NO. (FORPCS) | DESCRIPTION            | PART NO. (MJI) |
|-----------------------------|-------------|-------------------|----------------------|----------------|---------|-------------|-------------------|------------------------|----------------|
| R232SL                      |             |                   | 4.7-J 1/6W           | nsp            | Q202SL  |             |                   | TRS.2SA,KSA992F TO92   | *HT100590R     |
| R232SR                      |             |                   | 4.7-J 1/6W           | nsp            | Q202SR  |             |                   | TRS.2SA,KSA992F TO92   | *HT100590R     |
| R233C                       |             |                   | 1.8K-J 1/6W          | nsp            | Q203C   |             |                   | TRS.2SA,KSA992F TO92   | *HT100590R     |
| R233L                       |             |                   | 1.8K-J 1/6W          | nsp            | Q203L   |             |                   | TRS.2SA,KSA992F TO92   | *HT100590R     |
| R233R                       |             |                   | 1.8K-J 1/6W          | nsp            | Q203R   |             |                   | TRS.2SA,KSA992F TO92   | *HT100590R     |
| R233SC                      |             |                   | 1.8K-J 1/6W          | nsp            | Q203SC  |             |                   | TRS.2SA,KSA992F TO92   | *HT100590R     |
| R233SL                      |             |                   | 1.8K-J 1/6W          | nsp            | Q203SL  |             |                   | TRS.2SA,KSA992F TO92   | *HT100590R     |
| R233SR                      |             |                   | 1.8K-J 1/6W          | nsp            | Q203SR  |             |                   | TRS.2SA,KSA992F TO92   | *HT100590R     |
| R234C                       |             |                   | 2.0K-J 1/6W          | nsp            | Q204C   |             |                   | TRS.2SA,KSA992F TO92   | *HT100590R     |
| R234L                       |             |                   | 2.0K-J 1/6W          | nsp            | Q204L   |             |                   | TRS.2SA,KSA992F TO92   | *HT100590R     |
| R234R                       |             |                   | 2.0K-J 1/6W          | nsp            | Q204R   |             |                   | TRS.2SA,KSA992F TO92   | *HT100590R     |
| R234SC                      |             |                   | 2.0K-J 1/6W          | nsp            | Q204SC  |             |                   | TRS.2SA,KSA992F TO92   | *HT100590R     |
| R234SL                      |             |                   | 2.0K-J 1/6W          | nsp            | Q204SL  |             |                   | TRS.2SA,KSA992F TO92   | *HT100590R     |
| R234SR                      |             |                   | 2.0K-J 1/6W          | nsp            | Q204SR  |             |                   | TRS.2SA,KSA992F TO92   | *HT100590R     |
| R235C                       |             |                   | 910-J 1/6W           | nsp            | Q205C   |             |                   | TRS.2SC,KSC1845F TO92  | *HT300860R     |
| R235L                       |             |                   | 910-J 1/6W           | nsp            | Q205L   |             |                   | TRS.2SC,KSC1845F TO92  | *HT300860R     |
| R235R                       |             |                   | 910-J 1/6W           | nsp            | Q205R   |             |                   | TRS.2SC,KSC1845F TO92  | *HT300860R     |
| R235SC                      |             |                   | 910-J 1/6W           | nsp            | Q205SC  |             |                   | TRS.2SC,KSC1845F TO92  | *HT300860R     |
| R235SL                      |             |                   | 910-J 1/6W           | nsp            | Q205SL  |             |                   | TRS.2SC,KSC1845F TO92  | *HT300860R     |
| R235SR                      |             |                   | 910-J 1/6W           | nsp            | Q205SR  |             |                   | TRS.2SC,KSC1845F TO92  | *HT300860R     |
| R236C                       |             |                   | 6.8K-J 1/6W          | nsp            | Q206C   |             |                   | TRS.2SC,KSC1845F TO92  | *HT300860R     |
| R236L                       |             |                   | 6.8K-J 1/6W          | nsp            | Q206L   |             |                   | TRS.2SC,KSC1845F TO92  | *HT300860R     |
| R236R                       |             |                   | 6.8K-J 1/6W          | nsp            | Q206R   |             |                   | TRS.2SC,KSC1845F TO92  | *HT300860R     |
| R236SC                      |             |                   | 6.8K-J 1/6W          | nsp            | Q206SC  |             |                   | TRS.2SC,KSC1845F TO92  | *HT300860R     |
| R236SL                      |             |                   | 6.8K-J 1/6W          | nsp            | Q206SL  |             |                   | TRS.2SC,KSC1845F TO92  | *HT300860R     |
| R236SR                      |             |                   | 6.8K-J 1/6W          | nsp            | Q206SR  |             |                   | TRS.2SC,KSC1845F TO92  | *HT300860R     |
| R237C                       |             |                   | RES MF 10Ω 1W        | GA05100010     | Q207C   |             |                   | TRS.2SA,KSA992F TO92   | *HT100590R     |
| R237L                       |             |                   | 39-J 1/6W            | nsp            | Q207L   |             |                   | TRS.2SA,KSA992F TO92   | *HT100590R     |
| R237R                       |             |                   | 39-J 1/6W            | nsp            | Q207R   |             |                   | TRS.2SA,KSA992F TO92   | *HT100590R     |
| R237SC                      |             |                   | RES MF 10Ω 1W        | GA05100010     | Q207SC  |             |                   | TRS.2SA,KSA992F TO92   | *HT100590R     |
| R237SL                      |             |                   | 39-J 1/6W            | nsp            | Q207SL  |             |                   | TRS.2SA,KSA992F TO92   | *HT100590R     |
| R237SR                      |             |                   | 39-J 1/6W            | nsp            | Q207SR  |             |                   | TRS.2SA,KSA992F TO92   | *HT100590R     |
| R238L                       |             |                   | 39-J 1/6W            | nsp            | Q208C   |             |                   | TRS.2SA,KTA1024Y TO92L | HT112082A0     |
| R238R                       |             |                   | 39-J 1/6W            | nsp            | Q208L   |             |                   | TRS.2SA,KTA1024Y TO92L | HT112082A0     |
| R238SL                      |             |                   | 39-J 1/6W            | nsp            | Q208R   |             |                   | TRS.2SA,KTA1024Y TO92L | HT112082A0     |
| R238SR                      |             |                   | 39-J 1/6W            | nsp            | Q208SC  |             |                   | TRS.2SA,KTA1024Y TO92L | HT112082A0     |
| R239L                       |             |                   | 39-J 1/6W            | nsp            | Q208SL  |             |                   | TRS.2SA,KTA1024Y TO92L | HT112082A0     |
| R239R                       |             |                   | 39-J 1/6W            | nsp            | Q208SR  |             |                   | TRS.2SA,KTA1024Y TO92L | HT112082A0     |
| R239SL                      |             |                   | 39-J 1/6W            | nsp            | Q209C   |             |                   | TRS.2SC,KTC3206Y TO92L | HT322292A0     |
| R239SR                      |             |                   | 39-J 1/6W            | nsp            | Q209L   |             |                   | TRS.2SC,KTC3206Y TO92L | HT322292A0     |
| R240L                       |             |                   | 39-J 1/6W            | nsp            | Q209R   |             |                   | TRS.2SC,KTC3206Y TO92L | HT322292A0     |
| R240R                       |             |                   | 39-J 1/6W            | nsp            | Q209SC  |             |                   | TRS.2SC,KTC3206Y TO92L | HT322292A0     |
| R240SL                      |             |                   | 39-J 1/6W            | nsp            | Q209SL  |             |                   | TRS.2SC,KTC3206Y TO92L | HT322292A0     |
| R240SR                      |             |                   | 39-J 1/6W            | nsp            | Q209SR  |             |                   | TRS.2SC,KTC3206Y TO92L | HT322292A0     |
| <b>AMP - SEMICONDUCTORS</b> |             |                   |                      |                | Q213C   |             |                   | TRS.2SB,SAP16P         | *HT200410R     |
| D202C                       |             |                   | DIODE,1SS133T        | HD20015210     | Q213FL  |             |                   | TRS.2SB,SAP16P         | *HT200410R     |
| D202L                       |             |                   | DIODE,1SS133T        | HD20015210     | Q213FR  |             |                   | TRS.2SB,SAP16P         | *HT200410R     |
| D202R                       |             |                   | DIODE,1SS133T        | HD20015210     | Q213SC  |             |                   | TRS.2SB,SAP16P         | *HT200410R     |
| D202SC                      |             |                   | DIODE,1SS133T        | HD20015210     | Q213SL  |             |                   | TRS.2SB,SAP16P         | *HT200410R     |
| D202SL                      |             |                   | DIODE,1SS133T        | HD20015210     | Q213SR  |             |                   | TRS.2SB,SAP16P         | *HT200410R     |
| D202SR                      |             |                   | DIODE,1SS133T        | HD20015210     | Q214C   |             |                   | TRS.2SD,SAP16N         | *HT400480R     |
| Q201C                       |             |                   | TRS.2SA,KSA992F TO92 | *HT100590R     | Q214FL  |             |                   | TRS.2SD,SAP16N         | *HT400480R     |
| Q201L                       |             |                   | TRS.2SA,KSA992F TO92 | *HT100590R     | Q214FR  |             |                   | TRS.2SD,SAP16N         | *HT400480R     |
| Q201R                       |             |                   | TRS.2SA,KSA992F TO92 | *HT100590R     | Q214SC  |             |                   | TRS.2SD,SAP16N         | *HT400480R     |
| Q201SC                      |             |                   | TRS.2SA,KSA992F TO92 | *HT100590R     | Q214SL  |             |                   | TRS.2SD,SAP16N         | *HT400480R     |
| Q201SL                      |             |                   | TRS.2SA,KSA992F TO92 | *HT100590R     | Q214SR  |             |                   | TRS.2SD,SAP16N         | *HT400480R     |
| Q201SR                      |             |                   | TRS.2SA,KSA992F TO92 | *HT100590R     | Q215C   |             |                   | TRS.2SC,KSC1845F TO92  | *HT300860R     |
| Q202C                       |             |                   | TRS.2SA,KSA992F TO92 | *HT100590R     | Q215L   |             |                   | TRS.2SC,KSC1845F TO92  | *HT300860R     |
| Q202L                       |             |                   | TRS.2SA,KSA992F TO92 | *HT100590R     | Q215R   |             |                   | TRS.2SC,KSC1845F TO92  | *HT300860R     |
| Q202R                       |             |                   | TRS.2SA,KSA992F TO92 | *HT100590R     | Q215SC  |             |                   | TRS.2SC,KSC1845F TO92  | *HT300860R     |
| Q202SL                      |             |                   | TRS.2SA,KSA992F TO92 | *HT100590R     | Q215SL  |             |                   | TRS.2SC,KSC1845F TO92  | *HT300860R     |

NOTE : \*nsp\* PART IS LISTED FOR REFERENCE ONLY, MARANTZ WILL NOT SUPPLY THESE PARTS.

PS7200

| POS. NO | VERS. COLOR | PART NO. (FOR PCS) | DESCRIPTION   | PART NO. (MJI) | POS. NO | VERS. COLOR | PART NO. (FOR PCS) | DESCRIPTION            | PART NO. (MJI) |
|---------|-------------|--------------------|---|----------------|---------|-------------|--------------------|------------------------|----------------|
| Q215SR  |             |                    | TRS.2SC,KSC1845F TO92                                     | *HT300860R     | R319    |             |                    | 820-J 1/6W             | nsp            |
| CP201   |             |                    | AMP - MISCELLANEOUS<br>CN.WAFE2.0MM,<br>GIL-S-12P-S2T2-EF | nsp            | R322    |             |                    | 1K-J 1/6W              | nsp            |
| L201C   |             |                    | COIL FILTER-INDUCTOR,<br>J9000031                         | *LC106490R     | R323    |             |                    | 120-J 1/6W             | nsp            |
| L201L   |             |                    | COIL FILTER-INDUCTOR,<br>J9000031                         | *LC106490R     | R324    |             |                    | 150-J 1/6W             | nsp            |
| L201R   |             |                    | COIL FILTER-INDUCTOR,<br>J9000031                         | *LC106490R     | R325    |             |                    | 150-J 1/6W             | nsp            |
| L201SC  |             |                    | COIL FILTER-INDUCTOR,<br>J9000031                         | *LC106490R     | R326    |             |                    | 270-J 1/6W             | nsp            |
| L201SL  |             |                    | COIL FILTER-INDUCTOR,<br>J9000031                         | *LC106490R     | R327    |             |                    | 270-J 1/6W             | nsp            |
| L201SR  |             |                    | COIL FILTER-INDUCTOR,<br>J9000031                         | *LC106490R     | R328    |             |                    | 470-J 1/6W             | nsp            |
|         |             |                    | FRONT CIRCUIT BOARD                                       |                | R329    |             |                    | 820-J 1/6W             | nsp            |
|         |             |                    | FRONT - CAPACITORS  |                | R330    |             |                    | 1.5K-J 1/6W            | nsp            |
| C301    |             |                    | ELECT,47µF-M/10V 5*11                                     | nsp            | R332    |             |                    | 1K-J 1/6W              | nsp            |
| C302    |             |                    | CER.,0.022µF-Z/25V  | nsp            | R333    |             |                    | 10K-J 1/6W             | nsp            |
| C303    |             |                    | CER.,0.047µF-Z/50V  | nsp            | R334    |             |                    | 1K-J 1/6W              | nsp            |
| C304    |             |                    | CER.,100pF-K/50V  | nsp            | R335    |             |                    | 1K-J 1/6W              | nsp            |
| C305    |             |                    | ELECT,10µF-M/50V 5*11                                     | nsp            | R336    |             |                    | 1K-J 1/6W              | nsp            |
| C306    |             |                    | CER.,0.047µF-Z/50V  | nsp            | R337    |             |                    | 330-J 1/6W             | nsp            |
| C307    |             |                    | ELECT,10µF-M/50V 5*11                                     | nsp            | R338    |             |                    | 1K-J 1/6W              | nsp            |
| C308    |             |                    | CER.,0.022µF-Z/25V  | nsp            | R340    |             |                    | 330-J 1/6W             | nsp            |
| C309    |             |                    | CER.,100pF-K/50V  | nsp            | R341    |             |                    | 330-J 1/6W             | nsp            |
| C310    |             |                    | CER.,0.047µF-Z/50V  | nsp            | R342    |             |                    | 47K-J 1/6W             | nsp            |
| C311    |             |                    | CER.,100pF-K/50V  | nsp            | R343    |             |                    | 75-J 1/6W              | nsp            |
| C312    |             |                    | CER.,100pF-K/50V  | nsp            | R344    |             |                    | 75-J 1/6W              | nsp            |
| C313    |             |                    | ELECT,10µF-M/50V 5*11                                     | nsp            | R345    |             |                    | 75-J 1/6W              | nsp            |
| C314    |             |                    | ELECT,10µF-M/50V 5*11                                     | nsp            | R346    |             |                    | 47K-J 1/6W             | nsp            |
| C315    |             |                    | CER.,820pF-K/50V  | nsp            | R347    |             |                    | 470-J 1/6W             | nsp            |
| C316    |             |                    | CER.,820pF-K/50V  | nsp            | R348    |             |                    | 100K-J 1/6W            | nsp            |
| C317    |             |                    | ELECT,10µF-M/50V 5*11                                     | nsp            | R349    |             |                    | 10K-J 1/6W             | nsp            |
| C318    |             |                    | CER.,100pF-K/50V  | nsp            | R350    |             |                    | 100K-J 1/6W            | nsp            |
| C321    |             |                    | CER.,0.1µF-Z/50V  | nsp            | R351    |             |                    | 47K-J 1/6W             | nsp            |
| C322    |             |                    | CER.,0.1µF-Z/50V  | nsp            | R352    |             |                    | 470-J 1/6W             | nsp            |
| C323    |             |                    | CN WIRE 1P, JUMPER(0.6/52MM)                              | nsp            | R353    |             |                    | 2.2K-J 1/6W            | nsp            |
| C381SC  |             |                    | CN WIRE 1P, JUMPER 0.6/52MM)                              | nsp            | R354    |             |                    | 330-J 1/6W             | nsp            |
| C381SY  |             |                    |   | nsp            | R355M   |             |                    | 24K-J 1/6W             | nsp            |
|         |             |                    | FRONT - RESISTORS   |                | R356    |             |                    | 24K-J 1/6W             | nsp            |
| R301    |             |                    | 68K-J 1/6W  | nsp            | R357    |             |                    | 24K-J 1/6W             | nsp            |
| R302    |             |                    | 68K-J 1/6W  | nsp            | R359    |             |                    | 24K-J 1/6W             | nsp            |
| R303    |             |                    | 330-J 1/6W  | nsp            |         |             |                    |                        |                |
| R304    |             |                    | 100-J 1/6W  | nsp            | D301    |             |                    | FRONT - SEMICONDUCTORS |                |
| R305    |             |                    | 120-J 1/6W  | nsp            | D316M   |             |                    | DIODE,1SS133T          | HD20015210     |
| R306    |             |                    | 150-J 1/6W  | nsp            | D317    |             |                    | LED ROUND,SLR-34URCF25 | *HI100710R     |
| R307    |             |                    | 150-J 1/6W  | nsp            | D318    |             |                    | DIODE,1SS133T          | HD20015210     |
| R308    |             |                    | 270-J 1/6W  | nsp            | D319    |             |                    | LED ROUND,SLR-34URCF25 | *HI100710R     |
| R309    |             |                    | 270-J 1/6W  | nsp            | D320    |             |                    | LED ROUND,SLR-34URCF25 | *HI100710R     |
| R310    |             |                    | 470-J 1/6W  | nsp            | D322    |             |                    | D ZENER,MTZJ11B        | *HD301890R     |
| R311    |             |                    | 820-J 1/6W  | nsp            | D328    |             |                    |                        |                |
| R312    |             |                    | 1K-J 1/6W   | nsp            | D332    |             |                    | DIODE,1SS133T          | HD20015210     |
| R313    |             |                    | 120-J 1/6W  | nsp            |         |             |                    |                        |                |
| R314    |             |                    | 150-J 1/6W  | nsp            | D337    |             |                    |                        |                |
| R315    |             |                    | 150-J 1/6W  | nsp            | IC301   |             |                    | IC,LC75721E QIP64      | *HC107290R     |
| R316    |             |                    | 270-J 1/6W  | nsp            | Q301    |             |                    | TRS.RC,KRC107M TO92M   | *BA001190R     |
| R317    |             |                    | 270-J 1/6W  | nsp            | Q302    |             |                    | TRS.RA,KRA111M TO92M   | *BA001200R     |
| R318    |             |                    | 470-J 1/6W  | nsp            | Q303M   |             |                    | TRS.RC,KRC107M TO92M   | *BA001190R     |
|         |             |                    |   |                | Q304    |             |                    | TRS.RC,KRC107M TO92M   | *BA001190R     |
|         |             |                    |   |                | Q305    |             |                    | TRS.RC,KRC107M TO92M   | *BA001190R     |
|         |             |                    |   |                | Q306    |             |                    | TRS.RC,KRC107M TO92M   | *BA001190R     |
|         |             |                    |   |                | Q309    |             |                    | TRS.2SC,KTC3200BL TO92 | HT322402A0     |
|         |             |                    |   |                |         |             |                    | FRONT - MISCELLANEOUS  |                |
|         |             |                    |   |                | CN301   |             |                    | CN WIRE,450/9P         | nsp            |
|         |             |                    |   |                | CN303   |             |                    | CN WIRE,100MM/4P       | nsp            |
|         |             |                    |   |                | CN304   |             |                    | CN WIRE,470MM/5P       | nsp            |
|         |             |                    |   |                | CN305   |             |                    | CN WIRE,80/3P          | nsp            |

NOTE : \*nsp PART IS LISTED FOR REFERENCE ONLY, MARANTZ WILL NOT SUPPLY THESE PARTS.

PS7200

| POS. NO         | VERS. COLOR | PART NO. (FOR PCS) | DESCRIPTION  | PART NO. (MJI)    | POS. NO | VERS. COLOR | PART NO. (FOR PCS) | DESCRIPTION                                      | PART NO. (MJI) |
|-----------------|-------------|--------------------|--|-------------------|---------|-------------|--------------------|--|----------------|
| FPC109B<br>L302 |             |                    | CN.FP1.25MM,52492-2320 23P<br>COIL FILTER-INDUCTOR,<br>10UH-Q40/24M 02TB | nsp<br>nsp        | R403R   |             |                    | 470-J 1/6W                                       | nsp            |
| SILD<br>SW307M  |             |                    | SUPPORTER,FRONT GND<br>SW TACT,<br>SKHV10920A 5MM/260G                   | nsp<br>*SP000900R | R404L   |             |                    | 470-J 1/6W                                       | nsp            |
| SW308M          |             |                    | SW TACT,<br>SKHV10920A 5MM/260G  | *SP000900R        | R404R   |             |                    | 470-J 1/6W                                       | nsp            |
| SW309           |             |                    |  |                   | R405L   |             |                    | 470-J 1/6W                                       | nsp            |
| S               |             |                    | SW TACT,<br>SKHV10920A 5MM/260G  | *SP000900R        | R405R   |             |                    | 470-J 1/6W                                       | nsp            |
| SW322           |             |                    |  |                   | R406L   |             |                    | 470-J 1/6W                                       | nsp            |
| SW323M          |             |                    | SW TACT,<br>SKHV10920A 5MM/260G  | *SP000900R        | R406R   |             |                    | 470-J 1/6W                                       | nsp            |
| SW324           |             |                    | SW TACT,<br>SKHV10920A 5MM/260G  | *SP000900R        | R407L   |             |                    | 470-J 1/6W                                       | nsp            |
|                 |             |                    | ST-BY LED CIRCUIT BOARD<br>ST-BY LED - CAPACITORS                        |                   | R407R   |             |                    | 470-J 1/6W                                       | nsp            |
| C371            |             |                    | CER.,820pF-K/50V   | nsp               | R408L   |             |                    | 470-J 1/6W                                       | nsp            |
| C372            |             |                    | CER.,820pF-K/50V   | nsp               | R408R   |             |                    | 470-J 1/6W                                       | nsp            |
| CP305           |             |                    | CN.WAFE2.0MM,<br>GIL-S-03P-S2L2-EF                                       | nsp               | R411L   |             |                    | 150-J 1/6W                                       | nsp            |
|                 |             |                    | ST-BY LED - SEMICONDUCTORS<br>LED ROUND,SLR-34URCF25                     | *HI100710R        | R411R   |             |                    | 150-J 1/6W                                       | nsp            |
| D303            |             |                    |  |                   | R412L   |             |                    | 470K-J 1/6W                                      | nsp            |
|                 |             |                    | ST-BY LED - MISCELLANEOUS<br>SW TACT,<br>SKHV10920A 5MM/260G             | *SP000900R        | R412R   |             |                    | 470K-J 1/6W                                      | nsp            |
| SW325           |             |                    |  |                   | R413L   |             |                    | 470K-J 1/6W                                      | nsp            |
|                 |             |                    | INPUT 1 CIRCUIT BOARD<br>INPUT 1 - CAPACITORS                            |                   | R413R   |             |                    | 470K-J 1/6W                                      | nsp            |
| C411L           |             |                    | ELECT,4.7uF-M/50V 5*11   | nsp               | R414L   |             |                    | 150-J 1/6W                                       | nsp            |
| C411R           |             |                    | ELECT,4.7uF-M/50V 5*11   | nsp               | R414R   |             |                    | 150-J 1/6W                                       | nsp            |
| C412L           |             |                    | ELECT,4.7uF-M/50V 5*11   | nsp               | R415L   |             |                    | 470K-J 1/6W                                      | nsp            |
| C412R           |             |                    | ELECT,4.7uF-M/50V 5*11   | nsp               | R415R   |             |                    | 470K-J 1/6W                                      | nsp            |
| C413L           |             |                    | ELECT,4.7uF-M/50V 5*11   | nsp               | R416L   |             |                    | 150-J 1/6W                                       | nsp            |
| C413R           |             |                    | ELECT,4.7uF-M/50V 5*11   | nsp               | R416R   |             |                    | 150-J 1/6W                                       | nsp            |
| C414L           |             |                    | ELECT,4.7uF-M/50V 5*11   | nsp               | R417L   |             |                    | 470K-J 1/6W                                      | nsp            |
| C414R           |             |                    | ELECT,4.7uF-M/50V 5*11   | nsp               | R417R   |             |                    | 470K-J 1/6W                                      | nsp            |
| C415L           |             |                    | ELECT,4.7uF-M/50V 5*11   | nsp               | R418L   |             |                    | 470K-J 1/6W                                      | nsp            |
| C415R           |             |                    | ELECT,4.7uF-M/50V 5*11   | nsp               | R418R   |             |                    | 470K-J 1/6W                                      | nsp            |
| C416L           |             |                    | ELECT,4.7uF-M/50V 5*11   | nsp               | R419L   |             |                    | 150-J 1/6W                                       | nsp            |
| C416R           |             |                    | ELECT,4.7uF-M/50V 5*11   | nsp               | R419R   |             |                    | 150-J 1/6W                                       | nsp            |
| C418            |             |                    |  |                   | R420L   |             |                    | 470K-J 1/6W                                      | nsp            |
| S               |             |                    | CER.,0.1uF-Z/50V   | nsp               | R420R   |             |                    | 470K-J 1/6W                                      | nsp            |
| C423            |             |                    |  |                   | R421L   |             |                    | 150-J 1/6W                                       | nsp            |
| C424            |             |                    | CER.,100pF-K/50V   | nsp               | R421R   |             |                    | 150-J 1/6W                                       | nsp            |
| C425            |             |                    | CER.,100pF-K/50V   | nsp               | R422L   |             |                    | 470K-J 1/6W                                      | nsp            |
| C426            |             |                    | CER.,100pF-K/50V   | nsp               | R422R   |             |                    | 470K-J 1/6W                                      | nsp            |
| C427            |             |                    | ELECT,47uF-M/25V 5*11  | nsp               | R423L   |             |                    | 470K-J 1/6W                                      | nsp            |
| C428            |             |                    | CER.,0.1uF-Z/50V   | nsp               | R423R   |             |                    | 470K-J 1/6W                                      | nsp            |
| C429            |             |                    | ELECT,47uF-M/25V 5*11  | nsp               | R424L   |             |                    | 150-J 1/6W                                       | nsp            |
| C430            |             |                    | CER.,0.1uF-Z/50V   | nsp               | R424R   |             |                    | 150-J 1/6W                                       | nsp            |
| C431            |             |                    | CER.,0.1uF-Z/50V   | nsp               | R425L   |             |                    | 470K-J 1/6W                                      | nsp            |
| C432            |             |                    | CER.,0.1uF-Z/50V   | nsp               | R425R   |             |                    | 470K-J 1/6W                                      | nsp            |
|                 |             |                    | INPUT 1 - RESISTORS  |                   | R426    |             |                    | 1K-J 1/6W  | nsp            |
| R401L           |             |                    | 470-J 1/6W   | nsp               | R427    |             |                    | 1K-J 1/6W  | nsp            |
| R401R           |             |                    | 470-J 1/6W   | nsp               | R428    |             |                    | 1K-J 1/6W  | nsp            |
| R402L           |             |                    | 470-J 1/6W   | nsp               | R429    |             |                    | 4.7-J 1/6W                                       | nsp            |
| R402R           |             |                    | 470-J 1/6W   | nsp               | R430    |             |                    | 4.7-J 1/6W                                       | nsp            |
| R403L           |             |                    | 470-J 1/6W   | nsp               |         |             |                    |  |                |
|                 |             |                    |  |                   | IC401   |             |                    | INPUT 1 - SEMICONDUCTORS<br>IC,TC9274N-008 DIP42 | *HC107590R     |
|                 |             |                    |  |                   | IC402   |             |                    | IC,NJU7312AL SDIP28P                             | HC10124090     |
|                 |             |                    |  |                   | IC403   |             |                    | IC,NJM2068DD DIP8P                               | HC10053090     |
|                 |             |                    |  |                   | IC404   |             |                    | IC,NJM2068DD DIP8P                               | HC10053090     |
|                 |             |                    |  |                   | IC405   |             |                    | IC,NJM2068DD DIP8P                               | HC10053090     |
|                 |             |                    |  |                   |         |             |                    | INPUT 1 - MISCELLANEOUS                          |                |
|                 |             |                    |  |                   | CN107   |             |                    | CN.WAFE2.0MM,<br>TUC-P10X-B1 HOUSING ST          | nsp            |
|                 |             |                    |  |                   | CN108   |             |                    | CN.WAFE2.0MM,<br>TUC-P20X-B1 HOUSING ST          | nsp            |
|                 |             |                    |  |                   | CN302T  |             |                    | CN WIRE,250MM/3P                                 | nsp            |
|                 |             |                    |  |                   | CP301I  |             |                    | CN.WAFE2.0MM,<br>G1L-S-3P-S2T2-EF                | nsp            |

NOTE : \*nsp\* PART IS LISTED FOR REFERENCE ONLY, MARANTZ WILL NOT SUPPLY THESE PARTS.



PS7200

| POS. NO | VERS. COLOR | PART NO. (FOR PCS) | DESCRIPTION            | PART NO. (MJI) | POS. NO | VERS. COLOR | PART NO. (FOR PCS)                      | DESCRIPTION | PART NO. (MJI) |
|---------|-------------|--------------------|------------------------|----------------|---------|-------------|---|-------------|----------------|
|         |             |                    | INPUT 2 CIRCUIT BOARD  |                | R477A   |             | 4.7K-J 1/6W                             |             | nsp            |
|         |             |                    | INPUT 2 - CAPACITORS   |                | R478    |             | 47-J 1/6W                               |             | nsp            |
| C417    |             |                    | CER.,0.01µF-M/16V      | nsp            |         |             | INPUT 2 - SEMICONDUCTORS                |             |                |
| C454L   |             |                    | ELECT,4.7µF-M/50V 5*11 | nsp            | D407A   |             | DIODE,1SS133T                           | HD20015210  |                |
| C454R   |             |                    | ELECT,4.7µF-M/50V 5*11 | nsp            | IC451   |             | IC,K1C9459F SOP24P                      | HC10449050  |                |
| C455L   |             |                    | CER.,100pF-K/50V       | nsp            | IC452   |             | IC,NJM2068DD DIP8P                      | HC10053090  |                |
| C455R   |             |                    | CER.,100pF-K/50V       | nsp            | IC453   |             | PHOTO COUPLER,<br>H11A817B DIP4         | *HC200140R  |                |
| C457L   |             |                    | ELECT,1µF-M/50V 5*11   | nsp            | Q451L   |             | TRS.2SC,KTC2874B TO92                   | *HT300880R  |                |
| C457R   |             |                    | ELECT,1µF-M/50V 5*11   | nsp            | Q451R   |             | TRS.2SC,KTC2874B TO92                   | *HT300880R  |                |
| C460    |             |                    | CER.,0.1µF-Z/50V       | nsp            | Q452    |             | TRS.RB,KRA107M                          | *BA000190R  |                |
| C461    |             |                    | ELECT,47µF-M/25V 5*11  | nsp            | Q453    |             | TRS.RC,KRC107M TO92M                    | *BA001190R  |                |
| C462    |             |                    | CER.,0.1µF-Z/50V       | nsp            | Q454    |             | TRS.RC,KRC102M TO92M                    | *BA001180R  |                |
| C463    |             |                    | ELECT,47µF-M/25V 5*11  | nsp            | Q455    |             | TRS.RB,KRA107M                          | *BA000190R  |                |
| C464    |             |                    | CER.,0.1µF-Z/50V       | nsp            | Q457    |             | TRS.RC,KRC102M TO92M                    | *BA001180R  |                |
| C465    |             |                    | CER.,0.1µF-Z/50V       | nsp            | Q458    |             | TRS.RB,KRA107M                          | *BA000190R  |                |
| C466    |             |                    | CER.,0.01µF-M/16V      | nsp            |         |             | INPUT 2 - MISCELLANEOUS                 |             |                |
| C467    |             |                    | ELECT,47µF-M/25V 5*11  | nsp            | CN109   |             | CN.WAFE2.0MM,<br>35237-1310 13P         | nsp         |                |
| C468    |             |                    | CER.,0.01µF-M/16V      | nsp            | CN110   |             | CN.WAFE2.0MM,<br>TUC-P15X-B1 HOUSING ST | nsp         |                |
| C469    |             |                    | CER.,0.01µF-M/16V      | nsp            |         |             | VOLUME CIRCUIT BOARD                    |             |                |
| C470    |             |                    | CER.,0.01µF-M/16V      | nsp            |         |             | VOLUME - CAPACITORS                     |             |                |
| C471    |             |                    | CER.,100pF-K/50V       | nsp            | C502C   |             | CER.CHIP,100pF-J/50V-1608               | nsp         |                |
| C472    |             |                    | CER.,100pF-K/50V       | nsp            | C502FL  |             | CER.CHIP,100pF-J/50V-1608               | nsp         |                |
| C473    |             |                    | CER.,100pF-K/50V       | nsp            | C502FR  |             | CER.CHIP,100pF-J/50V-1608               | nsp         |                |
| C474    |             |                    | CER.,0.01µF-M/16V      | nsp            | C502SC  |             | CER.CHIP,100pF-J/50V-1608               | nsp         |                |
| C475    |             |                    | CER.,0.1µF-Z/50V       | nsp            | C502SL  |             | CER.CHIP,100pF-J/50V-1608               | nsp         |                |
| C476    |             |                    | CER.,0.01µF-M/16V      | nsp            | C502SR  |             | CER.CHIP,100pF-J/50V-1608               | nsp         |                |
|         |             |                    | INPUT 2 - RESISTORS    |                | C502SW  |             | CER.CHIP,100pF-J/50V-1608               | nsp         |                |
| R451L   |             |                    | 470-J 1/6W             | nsp            | C503FL  |             | CER.CHIP,100pF-J/50V-1608               | nsp         |                |
| R451R   |             |                    | 470-J 1/6W             | nsp            | C505C   |             | ELECT,0.1µF-M/50V 5*11                  | nsp         |                |
| R452L   |             |                    | 470-J 1/6W             | nsp            | C505F   |             | ELECT,0.1µF-M/50V 5*11                  | nsp         |                |
| R452R   |             |                    | 470-J 1/6W             | nsp            | C505S   |             | ELECT,0.1µF-M/50V 5*11                  | nsp         |                |
| R453L   |             |                    | 470-J 1/6W             | nsp            | C505SC  |             | ELECT,0.1µF-M/50V 5*11                  | nsp         |                |
| R453R   |             |                    | 470-J 1/6W             | nsp            | C505SW  |             | ELECT,0.1µF-M/50V 5*11                  | nsp         |                |
| R454L   |             |                    | 150-J 1/6W             | nsp            | C515C   |             | CER.CHIP,100pF-J/50V-1608               | nsp         |                |
| R454R   |             |                    | 150-J 1/6W             | nsp            | C515FL  |             | CER.CHIP,100pF-J/50V-1608               | nsp         |                |
| R455L   |             |                    | 470K-J 1/6W            | nsp            | C515FR  |             | CER.CHIP,100pF-J/50V-1608               | nsp         |                |
| R455R   |             |                    | 470K-J 1/6W            | nsp            | C515SC  |             | CER.CHIP,100pF-J/50V-1608               | nsp         |                |
| R456L   |             |                    | 5.6K-J 1/6W            | nsp            | C515SL  |             | CER.CHIP,100pF-J/50V-1608               | nsp         |                |
| R456R   |             |                    | 5.6K-J 1/6W            | nsp            | C515SR  |             | CER.CHIP,100pF-J/50V-1608               | nsp         |                |
| R457L   |             |                    | 1.2K-J 1/6W            | nsp            | C515SW  |             | CER.CHIP,100pF-J/50V-1608               | nsp         |                |
| R457R   |             |                    | 1.2K-J 1/6W            | nsp            |         |             | ELECT,4.7µF-M/16V 5*11                  | nsp         |                |
| R458L   |             |                    | 1K-J 1/6W              | nsp            | C528C   |             | ELECT,4.7µF-M/16V 5*11                  | nsp         |                |
| R458R   |             |                    | 1K-J 1/6W              | nsp            | C528FL  |             | ELECT,4.7µF-M/16V 5*11                  | nsp         |                |
| R459L   |             |                    | 470K-J 1/6W            | nsp            | C528FR  |             | ELECT,4.7µF-M/16V 5*11                  | nsp         |                |
| R459R   |             |                    | 470K-J 1/6W            | nsp            | C528SC  |             | ELECT,4.7µF-M/16V 5*11                  | nsp         |                |
| R460L   |             |                    | 470-J 1/6W             | nsp            | C528SL  |             | ELECT,4.7µF-M/16V 5*11                  | nsp         |                |
| R460R   |             |                    | 470-J 1/6W             | nsp            | C528SR  |             | ELECT,4.7µF-M/16V 5*11                  | nsp         |                |
|         |             |                    |                        |                | C528SW  |             | ELECT,4.7µF-M/16V 5*11                  | nsp         |                |
| R461    |             |                    | 2.7K-J 1/6W            | nsp            | C533C   |             | CER.CHIP,100pF-J/50V-1608               | nsp         |                |
| R462    |             |                    | 2.2K-J 1/6W            | nsp            | C533FL  |             | CER.CHIP,100pF-J/50V-1608               | nsp         |                |
| R463    |             |                    | 2.2K-J 1/6W            | nsp            | C533FR  |             | CER.CHIP,100pF-J/50V-1608               | nsp         |                |
| R464    |             |                    | 47-J 1/6W              | nsp            | C533SC  |             | CER.CHIP,100pF-J/50V-1608               | nsp         |                |
| R466    |             |                    | 10K-J 1/6W             | nsp            | C533SL  |             | CER.CHIP,100pF-J/50V-1608               | nsp         |                |
| R467    |             |                    | 68-J 1/6W              | nsp            | C533SR  |             | CER.CHIP,100pF-J/50V-1608               | nsp         |                |
| R469    |             |                    | 10K-J 1/6W             | nsp            | C533SW  |             | CER.CHIP,1200pF-K/50V-1608              | nsp         |                |
| R470    |             |                    | 68-J 1/6W              | nsp            | C541C   |             | CER.CHIP,100pF-J/50V-1608               | nsp         |                |
| R471    |             |                    | 270-J 1/6W             | nsp            | C541FL  |             | CER.CHIP,100pF-J/50V-1608               | nsp         |                |
| R472    |             |                    | 220-J 1/6W             | nsp            | C541FR  |             | CER.CHIP,100pF-J/50V-1608               | nsp         |                |
| R473    |             |                    | 47-J 1/6W              | nsp            |         |             |   |             |                |
| R475    |             |                    | 1K-J 1/6W              | nsp            |         |             |   |             |                |
| R476    |             |                    | 1K-J 1/6W              | nsp            |         |             |   |             |                |
| R477    |             |                    | 1K-J 1/6W              | nsp            |         |             |   |             |                |

NOTE : \*nsp\* PART IS LISTED FOR REFERENCE ONLY, MARANTZ WILL NOT SUPPLY THESE PARTS.

PS7200

| POS. NO | VERS. COLOR | PART NO. (FOR PCS) | DESCRIPTION                | PART NO. (MJI) | POS. NO | VERS. COLOR | PART NO. (FOR PCS) | DESCRIPTION            | PART NO. (MJI) |
|---------|-------------|--------------------|----------------------------|----------------|---------|-------------|--------------------|------------------------|----------------|
| C541SC  |             |                    | CER.CHIP,100pF-J/50V-1608  | nsp            | R507FL  |             |                    | CHIP,1K-J 1/16W-1608   | nsp            |
| C541SL  |             |                    | CER.CHIP,100pF-J/50V-1608  | nsp            | R507FR  |             |                    | CHIP,1K-J 1/16W-1608   | nsp            |
| C541SR  |             |                    | CER.CHIP,100pF-J/50V-1608  | nsp            | R507SC  |             |                    | CHIP,1K-J 1/16W-1608   | nsp            |
| C541SW  |             |                    | CER.CHIP,100pF-J/50V-1608  | nsp            | R507SL  |             |                    | CHIP,1K-J 1/16W-1608   | nsp            |
| C543    |             |                    | CER.CHIP,0.1µF-Z/50V-1608  | nsp            | R507SR  |             |                    | CHIP,1K-J 1/16W-1608   | nsp            |
| C544    |             |                    | CER.CHIP,0.1µF-Z/50V-1608  | nsp            | R507SW  |             |                    | CHIP,1K-J 1/16W-1608   | nsp            |
| C545A   |             |                    | CER.CHIP,1000pF-K/50V-1608 | nsp            | R512C   |             |                    | CHIP,220-J 1/16W-1608  | nsp            |
| C545C   |             |                    | ELECT,4.7µF-M/16V 5*11     | nsp            | R512FL  |             |                    | CHIP,1K-J 1/16W-1608   | nsp            |
| C545FL  |             |                    | ELECT,4.7µF-M/16V 5*11     | nsp            | R512FR  |             |                    | CHIP,1K-J 1/16W-1608   | nsp            |
| C545FR  |             |                    | ELECT,4.7µF-M/16V 5*11     | nsp            | R512SC  |             |                    | CHIP,220-J 1/16W-1608  | nsp            |
| C545SC  |             |                    | ELECT,4.7µF-M/16V 5*11     | nsp            | R512SL  |             |                    | CHIP,220-J 1/16W-1608  | nsp            |
| C545SL  |             |                    | ELECT,4.7µF-M/16V 5*11     | nsp            | R512SR  |             |                    | CHIP,220-J 1/16W-1608  | nsp            |
| C545SR  |             |                    | ELECT,4.7µF-M/16V 5*11     | nsp            | R512SW  |             |                    | CHIP,220-J 1/16W-1608  | nsp            |
| C545SW  |             |                    | ELECT,4.7µF-M/16V 5*11     | nsp            | R515    |             |                    | CHIP,10K-J 1/16W-1608  | nsp            |
| C546A   |             |                    | CER.CHIP,1000pF-K/50V-1608 | nsp            | R516C   |             |                    | CHIP,470K-J 1/16W-1608 | nsp            |
| C552    |             |                    |                            |                | R516FL  |             |                    | CHIP,100K-J 1/16W-1608 | nsp            |
| }       |             |                    | CER.CHIP,0.1µF-Z/50V-1608  | nsp            | R516FR  |             |                    | CHIP,100K-J 1/16W-1608 | nsp            |
| C556    |             |                    |                            |                | R516SC  |             |                    | CHIP,470K-J 1/16W-1608 | nsp            |
| C557    |             |                    |                            |                | R516SL  |             |                    | CHIP,470K-J 1/16W-1608 | nsp            |
| }       |             |                    | ELECT,47µF-M/25V 5*11      | nsp            | R516SR  |             |                    | CHIP,470K-J 1/16W-1608 | nsp            |
| C560    |             |                    |                            |                | R516SW  |             |                    | CHIP,1.5K-J 1/16W-1608 | nsp            |
| C561    |             |                    |                            |                |         |             |                    |                        |                |
| }       |             |                    | CER.CHIP,0.1µF-Z/50V-1608  | nsp            | R525    |             |                    | 10K-J 1/6W             | nsp            |
| C564    |             |                    |                            |                | R526    |             |                    | 10K-J 1/6W             | nsp            |
| C565    |             |                    | ELECT,47µF-M/25V 5*11      | nsp            | R527    |             |                    | CHIP,10K-J 1/16W-1608  | nsp            |
| C566    |             |                    | ELECT,47µF-M/25V 5*11      | nsp            | R528    |             |                    | 10K-J 1/6W             | nsp            |
| C567    |             |                    | CER.CHIP,0.1µF-Z/50V-1608  | nsp            | R529    |             |                    | CHIP,10K-J 1/16W-1608  | nsp            |
| C568    |             |                    | CER.CHIP,0.1µF-Z/50V-1608  | nsp            | R530    |             |                    | CHIP,10K-J 1/16W-1608  | nsp            |
| C571C   |             |                    | ELECT,4.7µF-M/16V 5*11     | nsp            | R532    |             |                    | CHIP,22K-J 1/16W-1608  | nsp            |
| C571FL  |             |                    | ELECT,4.7µF-M/16V 5*11     | nsp            | R536C   |             |                    | CHIP,470-J 1/16W-1608  | nsp            |
| C571FR  |             |                    | ELECT,4.7µF-M/16V 5*11     | nsp            | R536FL  |             |                    | CHIP,470-J 1/16W-1608  | nsp            |
| C571SC  |             |                    | ELECT,4.7µF-M/16V 5*11     | nsp            | R536FR  |             |                    | CHIP,470-J 1/16W-1608  | nsp            |
| C571SL  |             |                    | ELECT,4.7µF-M/16V 5*11     | nsp            | R536SC  |             |                    | CHIP,470-J 1/16W-1608  | nsp            |
| C571SR  |             |                    | ELECT,4.7µF-M/16V 5*11     | nsp            | R536SL  |             |                    | CHIP,470-J 1/16W-1608  | nsp            |
| C571SW  |             |                    | ELECT,4.7µF-M/16V 5*11     | nsp            | R536SR  |             |                    | CHIP,470-J 1/16W-1608  | nsp            |
| C576    |             |                    |                            |                | R536SW  |             |                    | CHIP,470-J 1/16W-1608  | nsp            |
| }       |             |                    | CER.CHIP,100pF-J/50V-1608  | nsp            | R537    |             |                    | 22K-J 1/6W             | nsp            |
| C584    |             |                    |                            |                | R538    |             |                    | CHIP,22K-J 1/16W-1608  | nsp            |
| C585    |             |                    | CER.CHIP,0.1µF-Z/50V-1608  | nsp            | R539    |             |                    | 22K-J 1/6W             | nsp            |
| C586    |             |                    | CER.CHIP,0.1µF-Z/50V-1608  | nsp            | R540    |             |                    | 22K-J 1/6W             | nsp            |
| C587    |             |                    | ELECT,10µF-M/50V 5*11      | nsp            | R541    |             |                    | CHIP,22K-J 1/16W-1608  | nsp            |
| C588    |             |                    | ELECT,10µF-M/50V 5*11      | nsp            | R542    |             |                    | CHIP,22K-J 1/16W-1608  | nsp            |
| C589    |             |                    | ELECT,47µF-M/50V 6.3*11    | nsp            | R543    |             |                    |                        |                |
| C590    |             |                    | ELECT,47µF-M/50V 6.3*11    | nsp            | }       |             |                    | 100K-J 1/6W            | nsp            |
| C591    |             |                    | CER.CHIP,47pF-J/50V-1608   | nsp            | R547    |             |                    |                        |                |
| C592    |             |                    | CER.CHIP,47pF-J/50V-1608   | nsp            | R549C   |             |                    | CHIP,470K-J 1/16W-1608 | nsp            |
| C593    |             |                    | CER.CHIP,0.1µF-Z/50V-1608  | nsp            | R549FL  |             |                    | CHIP,470K-J 1/16W-1608 | nsp            |
| C594    |             |                    | CER.CHIP,0.1µF-Z/50V-1608  | nsp            | R549FR  |             |                    | CHIP,470K-J 1/16W-1608 | nsp            |
| C595    |             |                    | CER.CHIP,47pF-J/50V-1608   | nsp            | R549SC  |             |                    | CHIP,470K-J 1/16W-1608 | nsp            |
| C596    |             |                    | CER.CHIP,47pF-J/50V-1608   | nsp            | R549SL  |             |                    | CHIP,470K-J 1/16W-1608 | nsp            |
| C597    |             |                    |                            |                | R549SR  |             |                    | CHIP,470K-J 1/16W-1608 | nsp            |
| }       |             |                    | ELECT,10µF-M/50V 5*11      | nsp            | R549SW  |             |                    | 470K-J 1/6W            | nsp            |
| C600    |             |                    |                            |                | R559C   |             |                    | CHIP,470-J 1/16W-1608  | nsp            |
| C601    |             |                    | CER.CHIP,0.1µF-Z/50V-1608  | nsp            | R559FL  |             |                    | CHIP,470-J 1/16W-1608  | nsp            |
|         |             |                    | VOLUME - RESISTORS         |                | R559FR  |             |                    | CHIP,470-J 1/16W-1608  | nsp            |
| R501    |             |                    | CHIP,560-J 1/16W-1608      | nsp            | R559SC  |             |                    | CHIP,470-J 1/16W-1608  | nsp            |
| R502    |             |                    | CHIP,560-J 1/16W-1608      | nsp            | R559SL  |             |                    | CHIP,470-J 1/16W-1608  | nsp            |
| R503    |             |                    | 4.7-J 1/6W                 | nsp            | R559SR  |             |                    | CHIP,470-J 1/16W-1608  | nsp            |
| R504    |             |                    | 4.7-J 1/6W                 | nsp            | R559SW  |             |                    | CHIP,470-J 1/16W-1608  | nsp            |
| R505    |             |                    | CNWIRE1P,JUMPER(0.6/52MM)  | nsp            | R567C   |             |                    | CHIP,3K-J 1/16W-1608   | nsp            |
| R506    |             |                    | CNWIRE1P,JUMPER(0.6/52MM)  | nsp            | R567FL  |             |                    | CHIP,3K-J 1/16W-1608   | nsp            |
| R507C   |             |                    | CHIP,1K-J 1/16W-1608       | nsp            | R567FR  |             |                    | CHIP,3K-J 1/16W-1608   | nsp            |
|         |             |                    |                            |                | R567SC  |             |                    | CHIP,3K-J 1/16W-1608   | nsp            |

NOTE : \*nsp\* PART IS LISTED FOR REFERENCE ONLY, MARANTZ WILL NOT SUPPLY THESE PARTS.

PS7200

| POS. NO | VERS. COLOR | PART NO. (FOR PCS) | DESCRIPTION             | PART NO. (MJI) | POS. NO | VERS. COLOR | PART NO. (FOR PCS) | DESCRIPTION                | PART NO. (MJI) |
|---------|-------------|--------------------|-------------------------|----------------|---------|-------------|--------------------|----------------------------|----------------|
| R567SL  |             |                    | CHIP,3K-J 1/16W-1608    | nsp            | Q501    |             |                    |                            |                |
| R567SR  |             |                    | CHIP,3K-J 1/16W-1608    | nsp            | 5       |             |                    | TRS.2SC,KTC2874B TO92      | *HT300880R     |
| R567SW  |             |                    | CHIP,5.1K-J 1/16W-1608  | nsp            | Q514    |             |                    |                            |                |
| R569C   |             |                    | CHIP,1.2K-J 1/16W-1608  | nsp            |         |             |                    |                            |                |
| R569FL  |             |                    | CHIP,1.2K-J 1/16W-1608  | nsp            |         |             |                    | VOLUME - MISCELLANEOUS     |                |
| R569FR  |             |                    | CHIP,1.2K-J 1/16W-1608  | nsp            | CN114   |             |                    | CN.WAFE2.0MM,              | nsp            |
| R569SC  |             |                    | CHIP,1.2K-J 1/16W-1608  | nsp            |         |             |                    | TUC-P15X-B1 HOUSING ST     |                |
| R569SL  |             |                    | CHIP,1.2K-J 1/16W-1608  | nsp            | CN115   |             |                    | CN.WAFE2.0MM,              | nsp            |
| R569SR  |             |                    | CHIP,1.2K-J 1/16W-1608  | nsp            |         |             |                    | TUC-P20X-B1 HOUSING ST     |                |
| R569SW  |             |                    | CHIP,1.2K-J 1/16W-1608  | nsp            | CP503   |             |                    | CN WIRE,220MM/12P          | nsp            |
| R582C   |             |                    | CHIP,470K-J 1/16W-1608  | nsp            |         |             |                    | DSP CIRCUIT BOARD          |                |
| R582FL  |             |                    | CHIP,470K-J 1/16W-1608  | nsp            |         |             |                    | DSP - CAPACITORS           |                |
| R582FR  |             |                    | CHIP,470K-J 1/16W-1608  | nsp            |         |             |                    |                            |                |
| R582SC  |             |                    | CHIP,470K-J 1/16W-1608  | nsp            | C701    |             |                    |                            |                |
| R582SL  |             |                    | CHIP,470K-J 1/16W-1608  | nsp            | 5       |             |                    | CER.CHIP,0.1µF-K/50V-1608  | nsp            |
| R582SR  |             |                    | CHIP,470K-J 1/16W-1608  | nsp            | C705    |             |                    |                            |                |
| R582SW  |             |                    | CHIP,470K-J 1/16W-1608  | nsp            | C706    |             |                    |                            |                |
| R589C   |             |                    | CHIP,470-J 1/16W-1608   | nsp            | C707    |             |                    | ELECT,47µF-M/10V 5*11      | nsp            |
| R589FL  |             |                    | CHIP,470-J 1/16W-1608   | nsp            | C708    |             |                    | CER.CHIP,22pF-J/50V-1608   | nsp            |
| R589FR  |             |                    | CHIP,470-J 1/16W-1608   | nsp            | C709    |             |                    | CER.CHIP,0.1µF-K/50V-1608  | nsp            |
| R589SC  |             |                    | CHIP,470-J 1/16W-1608   | nsp            | C710    |             |                    | ELECT,47µF-M/10V 5*11      | nsp            |
| R589SL  |             |                    | CHIP,470-J 1/16W-1608   | nsp            | C711    |             |                    | CER.CHIP,22pF-J/50V-1608   | nsp            |
| R589SR  |             |                    | CHIP,470-J 1/16W-1608   | nsp            | C712    |             |                    | CER.CHIP,22pF-J/50V-1608   | nsp            |
| R589SW  |             |                    | CHIP,470-J 1/16W-1608   | nsp            | C713    |             |                    | ELECT,47µF-M/10V 5*11      | nsp            |
| R590    |             |                    | 1K-J 1/6W               | nsp            | C714    |             |                    | CER.CHIP,0.1µF-K/50V-1608  | nsp            |
| R591    |             |                    | CHIP,2K-J 1/16W-1608    | nsp            | C715    |             |                    | CER.CHIP,22pF-J/50V-1608   | nsp            |
| R592    |             |                    | 1K-J 1/6W               | nsp            | C716    |             |                    | ELECT,3.3µF-M/50V 5*11     | nsp            |
| R593    |             |                    | CHIP,2K-J 1/16W-1608    | nsp            | C717    |             |                    | CER.CHIP,0.1µF-K/50V-1608  | nsp            |
| R594    |             |                    | CHIP,2K-J 1/16W-1608    | nsp            | C718    |             |                    | CER.CHIP,22pF-J/50V-1608   | nsp            |
| R595    |             |                    |                         | nsp            | C719    |             |                    | CER.CHIP,22pF-J/50V-1608   | nsp            |
| 5       |             |                    |                         | nsp            | C720    |             |                    | ELECT,3.3µF-M/50V 5*11     | nsp            |
| R598    |             |                    | 1K-J 1/6W               | nsp            | C721    |             |                    | CER.CHIP,0.1µF-K/50V-1608  | nsp            |
| R599    |             |                    | 100-J 1/6W              | nsp            | C722    |             |                    | CER.CHIP,22pF-J/50V-1608   | nsp            |
| R600    |             |                    | 100-J 1/6W              | nsp            | C723    |             |                    | CER.CHIP,22pF-J/50V-1608   | nsp            |
| R601    |             |                    | CHIP,100K-J 1/16W-1608  | nsp            | C724    |             |                    | ELECT,3.3µF-M/50V 5*11     | nsp            |
| R602    |             |                    | CHIP,100K-J 1/16W-1608  | nsp            | C725    |             |                    | CER.CHIP,0.1µF-K/50V-1608  | nsp            |
| R603    |             |                    | 4.7K-J 1/6W             | nsp            | C726    |             |                    | CER.CHIP,22pF-J/50V-1608   | nsp            |
| R604    |             |                    | 4.7K-J 1/6W             | nsp            | C727    |             |                    | ELECT,100µF-M/10V 5*11     | nsp            |
| R605    |             |                    | CHIP,4.7K-J 1/16W-1608  | nsp            | C728    |             |                    | CER.CHIP,0.1µF-K/50V-1608  | nsp            |
| R606    |             |                    | CHIP,4.7K-J 1/16W-1608  | nsp            | C729    |             |                    | CER.CHIP,0.1µF-K/50V-1608  | nsp            |
| R607    |             |                    |                         | nsp            |         |             |                    | ELECT,100µF-M/10V 5*11     | nsp            |
| 5       |             |                    |                         | nsp            | C730    |             |                    | CER.CHIP,0.1µF-K/50V-1608  | nsp            |
| R612    |             |                    | CHIP,10K-J 1/16W-1608   | nsp            | C731    |             |                    | ELECT,1µF-M/50V 5*11       | nsp            |
| R613    |             |                    | CHIP,47K-J 1/16W-1608   | nsp            | C732    |             |                    | ELECT,1µF-M/50V 5*11       | nsp            |
| R614    |             |                    | CHIP,47K-J 1/16W-1608   | nsp            | C733    |             |                    | ELECT,10µF-M/50V 5*11      | nsp            |
| R615    |             |                    |                         | nsp            | C734    |             |                    | CER.CHIP,0.1µF-K/50V-1608  | nsp            |
| 5       |             |                    |                         | nsp            | C735    |             |                    | ELECT,100µF-M/10V 5*11     | nsp            |
| R618    |             |                    | CHIP,10K-J 1/16W-1608   | nsp            | C736    |             |                    | CER.CHIP,0.1µF-K/50V-1608  | nsp            |
| R619    |             |                    | CHIP,100K-J 1/16W-1608  | nsp            | C738    |             |                    | CER.CHIP,0.1µF-K/50V-1608  | nsp            |
| R620    |             |                    | CHIP,100K-J 1/16W-1608  | nsp            | C739    |             |                    | CER.CHIP,0.1µF-K/50V-1608  | nsp            |
|         |             |                    |                         | nsp            | C740    |             |                    | CER.CHIP,0.01µF-Z/50V-1608 | nsp            |
|         |             |                    |                         | nsp            | C741    |             |                    | CER.CHIP,0.1µF-K/50V-1608  | nsp            |
|         |             |                    | VOLUME - SEMICONDUCTORS |                | C742    |             |                    | CER.CHIP,0.01µF-Z/50V-1608 | nsp            |
| D501    |             |                    |                         |                | C743    |             |                    | CER.CHIP,0.1µF-K/50V-1608  | nsp            |
| 5       |             |                    |                         |                | C744    |             |                    | CER.CHIP,0.01µF-Z/50V-1608 | nsp            |
| D512    |             |                    | DIODE,1SS133T           | HD20015210     | C745    |             |                    | CER.CHIP,0.1µF-K/50V-1608  | nsp            |
| IC501   |             |                    | IC,KIC9459F SOP24P      | HC10449050     | C746    |             |                    | ELECT,10µF-M/50V 5*11      | nsp            |
| IC502   |             |                    | IC,KIC9482F FLP28       | *HC107280R     | C747    |             |                    | CER.CHIP,0.1µF-K/50V-1608  | nsp            |
| IC505   |             |                    |                         |                | C748    |             |                    | CER.CHIP,27pF-J/50V-1608   | nsp            |
| 5       |             |                    |                         |                | C749    |             |                    | CER.CHIP,27pF-J/50V-1608   | nsp            |
| IC512   |             |                    | IC,NJM2068M SOP8P       | HC10102090     | C750    |             |                    | CER.CHIP,1000pF-K/50V-1608 | nsp            |
| IC513   |             |                    | IC,NJU7313AL SDIP28P    | HC10125090     | C751    |             |                    | CER.CHIP,0.1µF-K/50V-1608  | nsp            |
| IC514   |             |                    | IC,BU4053BCF SOP16P     | HC405321Z0     | C752    |             |                    | CER.CHIP,0.1µF-K/50V-1608  | nsp            |
|         |             |                    |                         |                | C753    |             |                    | ELECT,100µF-M/10V 5*11     | nsp            |

NOTE : \*nsp PART IS LISTED FOR REFERENCE ONLY, MARANTZ WILL NOT SUPPLY THESE PARTS.

PS7200

| POS. NO | VERS. COLOR | PART NO. (FOR PCS) | DESCRIPTION                | PART NO. (MJI) | POS. NO | VERS. COLOR | PART NO. (FOR PCS) | DESCRIPTION                | PART NO. (MJI) |
|---------|-------------|--------------------|----------------------------|----------------|---------|-------------|--------------------|----------------------------|----------------|
| C754    |             |                    | CER.CHIP,0.1µF-K/50V-1608  | nsp            | C796FL2 |             |                    | CER.CHIP,3300pF-K/50V-1608 | nsp            |
| C755    |             |                    | CER.CHIP,0.01µF-Z/50V-1608 | nsp            | C796FR1 |             |                    | CER.CHIP,3300pF-K/50V-1608 | nsp            |
| C756    |             |                    | CER.CHIP,0.01µF-Z/50V-1608 | nsp            | C796FR2 |             |                    | CER.CHIP,3300pF-K/50V-1608 | nsp            |
| C757    |             |                    | ELECT,220µF-M/6.3V 6.3*1   | nsp            | C797    |             |                    | CER.CHIP,0.1µF-K/50V-1608  | nsp            |
| C758    |             |                    | CER.CHIP,0.1µF-K/50V-1608  | nsp            | C797FL1 |             |                    | CER.CHIP,390pF-J/50V-1608  | nsp            |
| C759    |             |                    | CER.CHIP,470pF-J/50V-1608  | nsp            | C797FL2 |             |                    | CER.CHIP,390pF-J/50V-1608  | nsp            |
| C760    |             |                    | ELECT,47µF-M/10V 5*11      | nsp            | C797FR1 |             |                    | CER.CHIP,390pF-J/50V-1608  | nsp            |
| C761    |             |                    | CER.CHIP,0.1µF-K/50V-1608  | nsp            | C797FR2 |             |                    | CER.CHIP,390pF-J/50V-1608  | nsp            |
| C762    |             |                    | CER.CHIP,0.01µF-Z/50V-1608 | nsp            | C798C   |             |                    | CER.CHIP,1500pF-K/50V-1608 | nsp            |
| C763    |             |                    | ELECT,2.2µF-M/50V 5*11     | nsp            | C798SC  |             |                    | CER.CHIP,1500pF-K/50V-1608 | nsp            |
| C764    |             |                    | CER.CHIP,0.1µF-K/50V-1608  | nsp            | C798SL  |             |                    | CER.CHIP,1500pF-K/50V-1608 | nsp            |
| C765    |             |                    | ELECT,1µF-M/50V 5*11       | nsp            | C798SR  |             |                    | CER.CHIP,1500pF-K/50V-1608 | nsp            |
| C766    |             |                    | CER.CHIP,0.01µF-Z/50V-1608 | nsp            | C798SW  |             |                    | FILM,0.018µF-K/63V         | nsp            |
| C767    |             |                    | CER.CHIP,0.01µF-Z/50V-1608 | nsp            | C799C   |             |                    | ELECT,10µF-M/50V 5*11      | nsp            |
| C768    |             |                    | CER.CHIP,0.1µF-K/50V-1608  | nsp            | C799FL  |             |                    | ELECT,10µF-M/50V 5*11      | nsp            |
| C769    |             |                    | CER.CHIP,0.1µF-K/50V-1608  | nsp            | C799FR  |             |                    | ELECT,10µF-M/50V 5*11      | nsp            |
| C770    |             |                    | CER.CHIP,0.1µF-K/50V-1608  | nsp            | C799SC  |             |                    | ELECT,10µF-M/50V 5*11      | nsp            |
| C771    |             |                    | ELECT,1µF-M/50V 5*11       | nsp            | C799SL  |             |                    | ELECT,10µF-M/50V 5*11      | nsp            |
| C772    |             |                    | CER.CHIP,0.1µF-K/50V-1608  | nsp            | C799SR  |             |                    | ELECT,10µF-M/50V 5*11      | nsp            |
| C773    |             |                    | ELECT,100µF-M/10V 5*11     | nsp            | C799SW  |             |                    | ELECT,10µF-M/50V 5*11      | nsp            |
| C774    |             |                    | CER.CHIP,0.01µF-Z/50V-1608 | nsp            | C800C   |             |                    | CER.CHIP,3300pF-K/50V-1608 | nsp            |
| C775    |             |                    | CER.CHIP,0.1µF-K/50V-1608  | nsp            | C800FL  |             |                    | CER.CHIP,1500pF-K/50V-1608 | nsp            |
| C776    |             |                    | ELECT,100µF-M/10V 5*11     | nsp            | C800FR  |             |                    | CER.CHIP,1500pF-K/50V-1608 | nsp            |
| C777    |             |                    | CER.CHIP,0.1µF-K/50V-1608  | nsp            | C800SC  |             |                    | CER.CHIP,3300pF-K/50V-1608 | nsp            |
| C778    |             |                    | ELECT,100µF-M/10V 5*11     | nsp            | C800SL  |             |                    | CER.CHIP,3300pF-K/50V-1608 | nsp            |
| C779    |             |                    | CER.CHIP,0.1µF-K/50V-1608  | nsp            | C800SR  |             |                    | CER.CHIP,3300pF-K/50V-1608 | nsp            |
| C780    |             |                    | ELECT,1µF-M/50V 5*11       | nsp            | C800SW  |             |                    | CER.CHIP,3300pF-K/50V-1608 | nsp            |
| C782    |             |                    | ELECT,1µF-M/50V 5*11       | nsp            | C801    |             |                    | ELECT,100µF-M/10V 5*11     | nsp            |
| C783AFL |             |                    | ELECT,10µF-M/50V 5*11      | nsp            | C802    |             |                    | CER.CHIP,0.01µF-Z/50V-1608 | nsp            |
| C783AFR |             |                    | ELECT,10µF-M/50V 5*11      | nsp            | C803    |             |                    | ELECT,1µF-M/50V 5*11       | nsp            |
| C784AFL |             |                    | ELECT,10µF-M/50V 5*11      | nsp            | C804    |             |                    | ELECT,10µF-M/50V 5*11      | nsp            |
| C784AFR |             |                    | ELECT,10µF-M/50V 5*11      | nsp            | C866    |             |                    | ELECT,100µF-M/25V 6.3*11   | nsp            |
| C785AFL |             |                    | CER.CHIP,0.1µF-K/50V-1608  | nsp            | C867    |             |                    | ELECT,100µF-M/25V 6.3*11   | nsp            |
| C785AFR |             |                    | CER.CHIP,0.1µF-K/50V-1608  | nsp            | C868    |             |                    | ELECT,10µF-M/50V 5*11      | nsp            |
| C786AFL |             |                    | CER.CHIP,0.1µF-K/50V-1608  | nsp            | C869    |             |                    | CER.CHIP,100pF-J/50V-1608  | nsp            |
| C786AFR |             |                    | CER.CHIP,0.1µF-K/50V-1608  | nsp            | C870    |             |                    | CER.CHIP,1000pF-K/50V-1608 | nsp            |
| C787AFL |             |                    | CER.CHIP,100pF-J/50V-1608  | nsp            | C873    |             |                    | CER.CHIP,150pF-J/50V-1608  | nsp            |
| C787AFR |             |                    | CER.CHIP,100pF-J/50V-1608  | nsp            | C875    |             |                    | CER.CHIP,0.1µF-K/50V-1608  | nsp            |
| C788AFL |             |                    | CER.CHIP,100pF-J/50V-1608  | nsp            | C876    |             |                    | CER.CHIP,27pF-J/50V-1608   | nsp            |
| C788AFR |             |                    | CER.CHIP,100pF-J/50V-1608  | nsp            | C877    |             |                    | CER.CHIP,0.1µF-K/50V-1608  | nsp            |
| C789AFL |             |                    | CER.CHIP,1000pF-K/50V-1608 | nsp            | C878    |             |                    | CER.CHIP,0.1µF-K/50V-1608  | nsp            |
| C789AFR |             |                    | CER.CHIP,1000pF-K/50V-1608 | nsp            | C879    |             |                    | CER.CHIP,0.1µF-K/50V-1608  | nsp            |
| C790    |             |                    |                            |                |         |             |                    |                            |                |
| S       |             |                    |                            |                |         |             |                    |                            |                |
| C794    |             |                    | CER.CHIP,0.1µF-K/50V-1608  | nsp            |         |             |                    | DSP - RESISTORS            |                |
| C794C   |             |                    |                            |                | R701    |             |                    | CHIP,4.7K-J 1/16W-1608     | nsp            |
| C794FL1 |             |                    | ELECT,10µF-M/50V 5*11      | nsp            | R702    |             |                    | CHIP,4.7K-J 1/16W-1608     | nsp            |
| C794FL2 |             |                    | ELECT,10µF-M/50V 5*11      | nsp            | R703    |             |                    | CHIP,4.7K-J 1/16W-1608     | nsp            |
| C794FR1 |             |                    | ELECT,10µF-M/50V 5*11      | nsp            | R704    |             |                    | CHIP,75-J 1/16W-1608       | nsp            |
| C794FR2 |             |                    | ELECT,10µF-M/50V 5*11      | nsp            | R705    |             |                    | CHIP,100-J 1/16W-1608      | nsp            |
| C794SC  |             |                    | ELECT,10µF-M/50V 5*11      | nsp            | R706    |             |                    | CHIP,10K-J 1/16W-1608      | nsp            |
| C794SL  |             |                    | ELECT,10µF-M/50V 5*11      | nsp            | R707    |             |                    | CHIP,100K-J 1/16W-1608     | nsp            |
| C794SR  |             |                    | ELECT,10µF-M/50V 5*11      | nsp            | R708    |             |                    | CHIP,2.2K-J 1/16W-1608     | nsp            |
| C794SW  |             |                    | ELECT,10µF-M/50V 5*11      | nsp            | R709    |             |                    | CHIP,75-J 1/16W-1608       | nsp            |
| C795    |             |                    | CER.CHIP,0.1µF-K/50V-1608  | nsp            | R710    |             |                    | CHIP,100-J 1/16W-1608      | nsp            |
| C795C   |             |                    | CER.CHIP,2200pF-K/50V-1608 | nsp            | R711    |             |                    | CHIP,10K-J 1/16W-1608      | nsp            |
| C795SC  |             |                    | CER.CHIP,2200pF-K/50V-1608 | nsp            | R712    |             |                    | CHIP,100K-J 1/16W-1608     | nsp            |
| C795SL  |             |                    | CER.CHIP,2200pF-K/50V-1608 | nsp            | R713    |             |                    | CHIP,2.2K-J 1/16W-1608     | nsp            |
| C795SR  |             |                    | CER.CHIP,2200pF-K/50V-1608 | nsp            | R714    |             |                    | CHIP,75-J 1/16W-1608       | nsp            |
| C795SW  |             |                    | FILM,0.15µF-K/63V          | nsp            | R715    |             |                    | CHIP,100-J 1/16W-1608      | nsp            |
| C796    |             |                    | CER.CHIP,0.1µF-K/50V-1608  | nsp            | R716    |             |                    | CHIP,10K-J 1/16W-1608      | nsp            |
| C796FL1 |             |                    | CER.CHIP,3300pF-K/50V-1608 | nsp            | R717    |             |                    | CHIP,100K-J 1/16W-1608     | nsp            |
|         |             |                    |                            |                | R718    |             |                    | CHIP,2.2K-J 1/16W-1608     | nsp            |

NOTE : \*nsp\* PART IS LISTED FOR REFERENCE ONLY, MARANTZ WILL NOT SUPPLY THESE PARTS.

PS7200

| POS. NO | VERS. COLOR | PART NO. (FOR PCS) | DESCRIPTION            | PART NO. (MJI) | POS. NO | VERS. COLOR | PART NO. (FOR PCS) | DESCRIPTION            | PART NO. (MJI) |
|---------|-------------|--------------------|------------------------|----------------|---------|-------------|--------------------|------------------------|----------------|
| R719    |             |                    | CHIP,75-J 1/16W-1608   | nsp            | R782SC  |             |                    | CHIP,1.5K-J 1/16W-1608 | nsp            |
| R720    |             |                    | CHIP,180-J 1/16W-1608  | nsp            | R782SL  |             |                    | CHIP,1.5K-J 1/16W-1608 | nsp            |
| R721    |             |                    | CHIP,91-J 1/16W-1608   | nsp            | R782SP  |             |                    | CHIP,1.5K-J 1/16W-1608 | nsp            |
| R723    |             |                    | CHIP,10K-J 1/16W-1608  | nsp            | R782SW  |             |                    | CHIP,4.7K-J 1/16W-1608 | nsp            |
| R724    |             |                    | CHIP,1M-J 1/16W-1608   | nsp            | R783FL1 |             |                    | CHIP,7.5K-J 1/16W-1608 | nsp            |
| R725    |             |                    |                        |                | R783FL2 |             |                    | CHIP,7.5K-J 1/16W-1608 | nsp            |
| §       |             |                    | CHIP,33-J 1/16W-1608   | nsp            | R783FR1 |             |                    | CHIP,7.5K-J 1/16W-1608 | nsp            |
| R728    |             |                    |                        |                | R783FR2 |             |                    | CHIP,7.5K-J 1/16W-1608 | nsp            |
| R729    |             |                    | CHIP,75-J 1/16W-1608   | nsp            | R784FL1 |             |                    | CHIP,4.3K-J 1/16W-1608 | nsp            |
| R730    |             |                    | CHIP,5.1K-J 1/16W-1608 | nsp            | R784FL2 |             |                    | CHIP,4.3K-J 1/16W-1608 | nsp            |
| R731    |             |                    | CHIP,3K-J 1/16W-1608   | nsp            | R784FR1 |             |                    | CHIP,4.3K-J 1/16W-1608 | nsp            |
| R732    |             |                    | CHIP,8.2K-J 1/16W-1608 | nsp            | R784FR2 |             |                    | CHIP,4.3K-J 1/16W-1608 | nsp            |
| R733    |             |                    | CHIP,100-J 1/16W-1608  | nsp            | R785FL1 |             |                    | CHIP,820-J 1/16W-1608  | nsp            |
| R734    |             |                    |                        |                | R785FL2 |             |                    | CHIP,820-J 1/16W-1608  | nsp            |
| §       |             |                    | CHIP,10K-J 1/16W-1608  | nsp            | R785FR1 |             |                    | CHIP,820-J 1/16W-1608  | nsp            |
| R743    |             |                    |                        |                | R785FR2 |             |                    | CHIP,820-J 1/16W-1608  | nsp            |
| R744    |             |                    | CHIP,33-J 1/16W-1608   | nsp            |         |             |                    |                        |                |
| R745    |             |                    | CHIP,4.7K-J 1/16W-1608 | nsp            | R786C   |             |                    | CHIP,1.5K-J 1/16W-1608 | nsp            |
| R748    |             |                    | CHIP,33-J 1/16W-1608   | nsp            | R786SC  |             |                    | CHIP,1.5K-J 1/16W-1608 | nsp            |
| R749    |             |                    | CHIP,4.7K-J 1/16W-1608 | nsp            | R786SL  |             |                    | CHIP,1.5K-J 1/16W-1608 | nsp            |
| R750    |             |                    | CHIP,4.7K-J 1/16W-1608 | nsp            | R786SR  |             |                    | CHIP,1.5K-J 1/16W-1608 | nsp            |
| R751    |             |                    | CHIP,33K-J 1/16W-1608  | nsp            | R786SW  |             |                    | CHIP,4.7K-J 1/16W-1608 | nsp            |
| R752    |             |                    | CHIP,10K-J 1/16W-1608  | nsp            | R787C   |             |                    | CHIP,2.7K-J 1/16W-1608 | nsp            |
| R753    |             |                    |                        |                | R787SC  |             |                    | CHIP,2.7K-J 1/16W-1608 | nsp            |
| §       |             |                    | CHIP,33-J 1/16W-1608   | nsp            | R787SL  |             |                    | CHIP,2.7K-J 1/16W-1608 | nsp            |
| R757    |             |                    |                        |                | R787SR  |             |                    | CHIP,2.7K-J 1/16W-1608 | nsp            |
| R758    |             |                    | CHIP,10K-J 1/16W-1608  | nsp            | R787SW  |             |                    | CHIP,1.2K-J 1/16W-1608 | nsp            |
| R759    |             |                    | CHIP,4.7K-J 1/16W-1608 | nsp            | R788C   |             |                    | CHIP,3.3K-J 1/16W-1608 | nsp            |
| R760    |             |                    |                        |                | R788SC  |             |                    | CHIP,3.3K-J 1/16W-1608 | nsp            |
| §       |             |                    | CHIP,33-J 1/16W-1608   | nsp            | R788SL  |             |                    | CHIP,3.3K-J 1/16W-1608 | nsp            |
| R764    |             |                    |                        |                | R788SR  |             |                    | CHIP,3.3K-J 1/16W-1608 | nsp            |
| R765    |             |                    | CHIP,33K-J 1/16W-1608  | nsp            | R788SW  |             |                    | CHIP,9.1K-J 1/16W-1608 | nsp            |
| R766    |             |                    | CHIP,4.7K-J 1/16W-1608 | nsp            | R790C   |             |                    | CHIP,180K-J 1/16W-1608 | nsp            |
| R768    |             |                    | CHIP,100-J 1/16W-1608  | nsp            | R790FL  |             |                    | CHIP,15K-J 1/16W-1608  | nsp            |
| R769    |             |                    | CHIP,10K-J 1/16W-1608  | nsp            | R790FR  |             |                    | CHIP,15K-J 1/16W-1608  | nsp            |
| R770    |             |                    | CHIP,4.7K-J 1/16W-1608 | nsp            | R790SC  |             |                    | CHIP,180K-J 1/16W-1608 | nsp            |
| R770AFL |             |                    | CHIP,6.2K-J 1/16W-1608 | nsp            | R790SL  |             |                    | CHIP,180K-J 1/16W-1608 | nsp            |
| R770AFR |             |                    | CHIP,6.2K-J 1/16W-1608 | nsp            | R790SR  |             |                    | CHIP,180K-J 1/16W-1608 | nsp            |
| R771AFL |             |                    | CHIP,4.7K-J 1/16W-1608 | nsp            | R790SW  |             |                    | CHIP,100K-J 1/16W-1608 | nsp            |
| R771AFR |             |                    | CHIP,4.7K-J 1/16W-1608 | nsp            | R791C   |             |                    | CHIP,2.2K-J 1/16W-1608 | nsp            |
| R772    |             |                    | CHIP,2.2K-J 1/16W-1608 | nsp            | R791FL  |             |                    | CHIP,2.2K-J 1/16W-1608 | nsp            |
| R772AFL |             |                    | CHIP,2.4K-J 1/16W-1608 | nsp            | R791FR  |             |                    | CHIP,2.2K-J 1/16W-1608 | nsp            |
| R772AFR |             |                    | CHIP,2.4K-J 1/16W-1608 | nsp            | R791SC  |             |                    | CHIP,2.2K-J 1/16W-1608 | nsp            |
| R773AFL |             |                    | CHIP,4.7K-J 1/16W-1608 | nsp            | R791SL  |             |                    | CHIP,2.2K-J 1/16W-1608 | nsp            |
| R773AFR |             |                    | CHIP,4.7K-J 1/16W-1608 | nsp            | R791SR  |             |                    | CHIP,2.2K-J 1/16W-1608 | nsp            |
| R774AFL |             |                    | CHIP,4.7K-J 1/16W-1608 | nsp            | R791SW  |             |                    | CHIP,2.2K-J 1/16W-1608 | nsp            |
| R774AFR |             |                    | CHIP,4.7K-J 1/16W-1608 | nsp            |         |             |                    |                        |                |
| R775AFL |             |                    | CHIP,47K-J 1/16W-1608  | nsp            | R792    |             |                    | CHIP,470-J 1/16W-1608  | nsp            |
| R775AFR |             |                    | CHIP,47K-J 1/16W-1608  | nsp            | R793    |             |                    | CHIP,1M-J 1/16W-1608   | nsp            |
| R776AFL |             |                    | CHIP,4.7K-J 1/16W-1608 | nsp            | R799C   |             |                    | CHIP,470-J 1/16W-1608  | nsp            |
| R776AFR |             |                    | CHIP,4.7K-J 1/16W-1608 | nsp            | R799FL  |             |                    | CHIP,1K-J 1/16W-1608   | nsp            |
| R777AFL |             |                    | CHIP,5.6K-J 1/16W-1608 | nsp            | R799FR  |             |                    | CHIP,1K-J 1/16W-1608   | nsp            |
| R777AFR |             |                    | CHIP,5.6K-J 1/16W-1608 | nsp            | R799SC  |             |                    | CHIP,470-J 1/16W-1608  | nsp            |
| R778AFL |             |                    | CHIP,10K-J 1/16W-1608  | nsp            | R799SL  |             |                    | CHIP,470-J 1/16W-1608  | nsp            |
| R778AFR |             |                    | CHIP,10K-J 1/16W-1608  | nsp            | R799SR  |             |                    | CHIP,470-J 1/16W-1608  | nsp            |
| R779AFL |             |                    | CHIP,330-J 1/16W-1608  | nsp            | R799SW  |             |                    | CHIP,470-J 1/16W-1608  | nsp            |
| R779AFR |             |                    | CHIP,330-J 1/16W-1608  | nsp            | R800    |             |                    | CHIP,20K-J 1/16W-1608  | nsp            |
| R780AFL |             |                    | CHIP,10K-J 1/16W-1608  | nsp            | R801    |             |                    | CHIP,10K-J 1/16W-1608  | nsp            |
| R780AFR |             |                    | CHIP,10K-J 1/16W-1608  | nsp            | R802C   |             |                    | CHIP,100K-J 1/16W-1608 | nsp            |
| R781AFL |             |                    | CHIP,330-J 1/16W-1608  | nsp            | R802SC  |             |                    | CHIP,100K-J 1/16W-1608 | nsp            |
| R781AFR |             |                    | CHIP,330-J 1/16W-1608  | nsp            | R802SL  |             |                    | CHIP,100K-J 1/16W-1608 | nsp            |
| R782C   |             |                    | CHIP,1.5K-J 1/16W-1608 | nsp            | R802SR  |             |                    | CHIP,100K-J 1/16W-1608 | nsp            |
|         |             |                    |                        |                | R802SW  |             |                    | CHIP,100K-J 1/16W-1608 | nsp            |

NOTE : "nsp" PART IS LISTED FOR REFERENCE ONLY, MARANTZ WILL NOT SUPPLY THESE PARTS.

PS7200

| POS. NO | VERS. COLOR | PART NO. (FOR PCS) | DESCRIPTION                     | PART NO. (MJI) | POS. NO  | VERS. COLOR | PART NO. (FOR PCS) | DESCRIPTION                                     | PART NO. (MJI) |
|---------|-------------|--------------------|---------------------------------|----------------|----------|-------------|--------------------|---|----------------|
| R803    |             |                    | CHIP,33-J 1/16W-1608            | nsp            | Q707     |             |                    | TRS.CHIP 2SA,KRA102S                            | *BA001230R     |
| R815    |             |                    |                                 |                | Q708     |             |                    | TRS.CHIP 2SA,KRA102S                            | *BA001230R     |
| R816    |             |                    |                                 |                | Q711     |             |                    | TRS.CHIP 2SA,KRA102S                            | *BA001230R     |
| R820    |             |                    | CHIP,1K-J 1/16W-1608            | nsp            | Q712     |             |                    | TRS.CHIP 2SC,<br>KTC2875B SOT23                 | *HT300870R     |
| R821    |             |                    |                                 |                | Q712C    |             |                    | TRS.CHIP 2SC,<br>KTC2875B SOT23                 | *HT300870R     |
| R824    |             |                    | CHIP,2.2K-J 1/16W-1608          | nsp            | Q712SC   |             |                    | TRS.CHIP 2SC,<br>KTC2875B SOT23                 | *HT300870R     |
| R825    |             |                    | CHIP,33-J 1/16W-1608            | nsp            | Q712SL   |             |                    | TRS.CHIP 2SC,<br>KTC2875B SOT23                 | *HT300870R     |
| R826    |             |                    | CHIP,33-J 1/16W-1608            | nsp            | Q712SR   |             |                    | TRS.CHIP 2SC,<br>KTC2875B SOT23                 | *HT300870R     |
| R827    |             |                    | CHIP,1K-J 1/16W-1608            | nsp            |          |             |                    | DSP - MISCELLANEOUS                             |                |
| R828    |             |                    | CHIP,1K-J 1/16W-1608            | nsp            | CB702    |             |                    | BEAD COIL CHIP,<br>HB-IT2012-121JT 2012         | nsp            |
| R838    |             |                    | CHIP,470K-J 1/16W-1608          | nsp            | CB708    |             |                    |   |                |
|         |             |                    | DSP - SEMICONDUCTORS            |                | CN111    |             |                    | CN.WAFE2.0MM,<br>TUC-P12X-B1 HOUSING ST         | nsp            |
| D701    |             |                    | DIODE CHIP,KDS160               | *HD201560R     | CN112    |             |                    | CN.WAFE2.0MM,<br>TUC-P15X-B1 HOUSING ST         | nsp            |
| D707    |             |                    |                                 |                | CN113    |             |                    | CN.WAFE2.0MM,<br>TUC-P18X-B1 HOUSING ST         | nsp            |
| IC701   |             |                    | IC,74VHC04 SOP14                | *HC700300R     | FB701C   |             |                    | BEAD COIL,<br>BRS3550T0 3.5PHI*5                | nsp            |
| IC702   |             |                    | IC,MM74HC151MX SOP16            | *HC700330R     | FB701FL  |             |                    | BEAD COIL,<br>BRS3550T0 3.5PHI*5                | nsp            |
| IC703   |             |                    | IC,BA4510F-T1 SOP               | HC10159210     | FB701FR  |             |                    | BEAD COIL,<br>BRS3550T0 3.5PHI*5                | nsp            |
| IC704   |             |                    | IC,BA4510F-T1 SOP               | HC10159210     | FB701SC  |             |                    | BEAD COIL,<br>BRS3550T0 3.5PHI*5                | nsp            |
| IC705   |             |                    | IC,NJM7805FA T0220F             | HC3890509F     | FB701SL  |             |                    | BEAD COIL,<br>BRS3550T0 3.5PHI*5                | nsp            |
| IC706   |             |                    | IC,RC1117S33ST SOT223           | *HC900020R     | FB701SP  |             |                    | BEAD COIL,<br>BRS3550T0 3.5PHI*5                | nsp            |
| IC707   |             |                    | IC,M27W401-80B6 PDIP32          | *HC107760R     | FB701SW  |             |                    | BEAD COIL,<br>BRS3550T0 3.5PHI*5                | nsp            |
| IC708   |             |                    | IC,MM74LCX574WMX SOP20          | *HC700360R     | FB702AFL |             |                    | BEAD COIL,<br>BRS3550T0 3.5PHI*5                | nsp            |
| IC709   |             |                    | IC,MM74LCX574WMX SOP20          | *HC700360R     | FB702AFR |             |                    | BEAD COIL,<br>BRS3550T0 3.5PHI*5                | nsp            |
| IC710   |             |                    | IC,LC89055W(ES4)                | HC10405030     | L701     |             |                    | COIL FILTER-INDUCTOR,<br>4.7UH-Q50/56M LAL03VB  | nsp            |
| IC711   |             |                    | IC,SN74LV00APW                  | *HC700370R     | L702     |             |                    | COIL FILTER-INDUCTOR,<br>4.7UH-Q50/56M LAL03VB  | nsp            |
| IC712   |             |                    | IC,MM74HCT244WMX SOP20          | *HC700350R     | L703     |             |                    | COIL FILTER-INDUCTOR,<br>4.7UH-Q50/56M LAL03VB  | nsp            |
| IC713   |             |                    | IC,MM74HC125MX SOP14            | *HC700320R     | L704     |             |                    | COIL FILTER-INDUCTOR,<br>2.2UH-Q50/110M LAL03VB | nsp            |
| IC714   |             |                    | IC,IS61LV256-12J SOJ28P         | *HC107770R     | L705     |             |                    | COIL FILTER-INDUCTOR,<br>2.2UH-Q50/110M LAL03VB | nsp            |
| IC715   |             |                    | IC,CS49329-CL PLCC44P           | *HC107780R     | L706     |             |                    | COIL FILTER-INDUCTOR,<br>2.2UH-Q50/110M LAL03VB | nsp            |
| IC716   |             |                    | IC,RC1117S25T SOT223            | *HC900010R     | L707     |             |                    | COIL FILTER-INDUCTOR,<br>4.7UH-Q50/56M LAL03VB  | nsp            |
| IC717   |             |                    | IC,MM74HC244WMX SOIC20          | *HC700340R     | L708     |             |                    | COIL FILTER-INDUCTOR,<br>2.2UH-Q50/110M LAL03VB | nsp            |
| IC718   |             |                    | IC,MM74HCT244WMX SOP20          | *HC700350R     | T1       |             |                    | COIL CHOKE,<br>TRANS MATCHING                   | *LC107290R     |
| IC719   |             |                    | IC,CS4228A-KS SSOP28            | *HC107240R     | WIRE701  |             |                    | WIRE LEAD 1007 80C,<br>GREEN 5-100-5            | nsp            |
| IC720   |             |                    | IC,CS4391 TSSOP20               | *HC107250R     | WIRE702  |             |                    | WIRE LEAD 1007 80C,<br>GR 5-80-5                | nsp            |
| IC721   |             |                    | IC,SN74LV4040APWR SOP16         | *HC700380R     | XTAL701  |             |                    | CRYSTAL,<br>12.288MHZ HC49U-CL                  | *JX000770R     |
| IC722   |             |                    |                                 |                |          |             |                    |   |                |
| IC725   |             |                    | IC,NJM2068M SOP8P               | HC10102090     |          |             |                    |   |                |
| Q701C   |             |                    | TRS.CHIP 2SC,<br>KTC2875B SOT23 | *HT300870R     |          |             |                    |   |                |
| Q701FL  |             |                    | TRS.CHIP 2SC,<br>KTC2875B SOT23 | *HT300870R     |          |             |                    |   |                |
| Q701FR  |             |                    | TRS.CHIP 2SC,<br>KTC2875B SOT23 | *HT300870R     |          |             |                    |   |                |
| Q701SC  |             |                    | TRS.CHIP 2SC,<br>KTC2875B SOT23 | *HT300870R     |          |             |                    |   |                |
| Q701SL  |             |                    | TRS.CHIP 2SC,<br>KTC2875B SOT23 | *HT300870R     |          |             |                    |   |                |
| Q701SR  |             |                    | TRS.CHIP 2SC,<br>KTC2875B SOT23 | *HT300870R     |          |             |                    |   |                |
| Q701SW  |             |                    | TRS.CHIP 2SC,<br>KTC2875B SOT23 | *HT300870R     |          |             |                    |   |                |
| Q702AFL |             |                    | TRS.CHIP 2SC,<br>KTC2875B SOT23 | *HT300870R     |          |             |                    |   |                |
| Q702AFR |             |                    | TRS.CHIP 2SC,<br>KTC2875B SOT23 | *HT300870R     |          |             |                    |   |                |
| Q703    |             |                    | TRS.CHIP 2SA,KRA102S            | *BA001230R     |          |             |                    |   |                |
| Q704    |             |                    | TRS.CHIP 2SC,KRC102S            | *BA001220R     |          |             |                    |   |                |
| Q705    |             |                    | TRS.CHIP 2SA,KRA102S            | *BA001230R     |          |             |                    |   |                |
| Q706    |             |                    | TRS.CHIP 2SC,KRC102S            | *BA001220R     |          |             |                    |   |                |

NOTE : \*nsp\* PART IS LISTED FOR REFERENCE ONLY, MARANTZ WILL NOT SUPPLY THESE PARTS.

PS7200

| POS. NO | VERS. COLOR | PART NO. (FOR PCS) | DESCRIPTION               | PART NO. (MJI) | POS. NO | VERS. COLOR | PART NO. (FOR PCS) | DESCRIPTION                | PART NO. (MJI) |
|---------|-------------|--------------------|---------------------------|----------------|---------|-------------|--------------------|----------------------------|----------------|
| C701L   |             |                    | HEAD PHONE CIRCUIT BOARD  |                | ▲F712   |             |                    | FUSE (5.2*20),250V-S8A     | *FS000900R     |
| C701R   |             |                    | HEAD PHONE - CAPACITORS   |                | FC715   |             |                    | HOLDER,FUSE CLIP           | nsp            |
| C702    |             |                    | CER.,560pF-K/50V          | nsp            | ▲F715   |             |                    | FUSE (5.2*20),250V-S2.5A   | *FS000890R     |
| CP103   |             |                    | CER.,560pF-K/50V          | nsp            | GND711  |             |                    | TERMINAL,                  | nsp            |
|         |             |                    | CER.,0.1µF-Z/50V          | nsp            | GND712  |             |                    | ALL PBST/GND PLATE         | nsp            |
|         |             |                    | CN WIRE,570MM/3P          | nsp            | L710    |             |                    | TERMINAL,                  | nsp            |
|         |             |                    |                           |                | L711    |             |                    | ALL PBST/GND PLATE         | nsp            |
| R701L   |             |                    | HEAD PHONE - RESISTORS    | GA05331010     | L712    |             |                    | COIL FILTER-INDUCTOR,      | nsp            |
| R701R   |             |                    | RES MF 330 2W 5%          | GA05331010     | L710    |             |                    | 10UH-Q40/24M 02TB          | nsp            |
|         |             |                    |                           |                | L711    |             |                    | COIL FILTER-INDUCTOR,      | nsp            |
|         |             |                    |                           |                | L712    |             |                    | 10UH-Q40/24M 02TB          | nsp            |
| WIRE701 |             |                    | HEAD PHONE-MISCELLANEOUS  | nsp            | ▲RY710  |             |                    | COIL FILTER-INDUCTOR,      | nsp            |
|         |             |                    | RING TEWIRE,200MM/1P      | nsp            | ▲T710   |             |                    | 10UH-Q40/24M 02TB          | nsp            |
|         |             |                    |                           |                |         |             |                    | RELAY,HR-CR7-DC12V/10A     | *LY000200R     |
|         |             |                    |                           |                |         |             |                    | TRANSF. SUB FOR F          | *TS001610R     |
|         |             |                    | POWER CIRCUIT BOARD       |                |         |             |                    | S-VIDEO CIRCUIT BOARD      |                |
|         |             |                    | POWER - CAPACITORS        |                |         |             |                    | S-VIDEO - CAPACITORS       |                |
| C710    |             |                    | FILM,0.047µF-J/100V       | nsp            | C801    |             |                    | ELECT,10µF-M/50V 5*11      | nsp            |
| C711    |             |                    | FILM,0.047µF-J/100V       | nsp            | C802    |             |                    | ELECT,470µF-M/6.3V 8*11.5  | nsp            |
| C712    |             |                    | FILM,0.047µF-J/100V       | nsp            | C802N   |             |                    | CER.CHIP,47pF-J/50V-1608   | nsp            |
| C713    |             |                    | CER.,0.1µF-Z/50V P16      | nsp            | C803    |             |                    | ELECT,10µF-M/50V 5*11      | nsp            |
| ▲C714   |             |                    | CER.(SAFETY),DE2F3KH108MM | nsp            | C803N   |             |                    | CER.CHIP,47pF-J/50V-1608   | nsp            |
|         |             |                    | 4A                        |                | C804    |             |                    | ELECT,470µF-M/6.3V 8*11.5  | nsp            |
| C717    |             |                    | ELECT,470µF-M/25V 10*12.5 | nsp            | C804N   |             |                    | CER.CHIP,47pF-J/50V-1608   | nsp            |
| C718    |             |                    | ELECT,1µF-M/50V 5*11      | nsp            | C805    |             |                    | ELECT,470µF-M/6.3V 8*11.5  | nsp            |
| C719    |             |                    | ELECT,220µF-M/50V 10*12.5 | nsp            | C805N   |             |                    | CER.CHIP,47pF-J/50V-1608   | nsp            |
|         |             |                    |                           |                | C806    |             |                    | ELECT,10µF-M/50V 5*11      | nsp            |
|         |             |                    | POWER - RESISTORS         |                | C806N   |             |                    | CER.CHIP,47pF-J/50V-1608   | nsp            |
| R710D   |             |                    | ERC-12UGK335              | RC05471010     | C807    |             |                    | ELECT,4.7µF-M/50V 5*11     | nsp            |
| R712    |             |                    | 470-J 1/6W                | nsp            | C807N   |             |                    | CER.CHIP,47pF-J/50V-1608   | nsp            |
| R713    |             |                    | 10K-J 1/6W                | nsp            | C808    |             |                    | ELECT,4.7µF-M/50V 5*11     | nsp            |
| R714    |             |                    | 15K-J 1/6W                | nsp            | C809    |             |                    | ELECT,10µF-M/50V 5*11      | nsp            |
| R716    |             |                    | 47-J 1/4W                 | nsp            | C810    |             |                    | ELECT,10µF-M/50V 5*11      | nsp            |
| R718    |             |                    | 1.8K-J 1/6W               | nsp            | C810A   |             |                    | CER.CHIP,100pF-J/50V-1608  | nsp            |
| R719    |             |                    | 0.22-J 1W                 | *GA000200R     | C811    |             |                    | ELECT,10µF-M/50V 5*11      | nsp            |
|         |             |                    |                           |                | C812    |             |                    | ELECT,4.7µF-M/50V 5*11     | nsp            |
|         |             |                    | POWER - SEMICONDUCTORS    |                | C813    |             |                    | ELECT,4.7µF-M/50V 5*11     | nsp            |
| D710    |             |                    |                           |                | C814    |             |                    | ELECT,10µF-M/50V 5*11      | nsp            |
| S       |             |                    | DIODE,IN4007              | *HD201570R     | C815    |             |                    | ELECT,10µF-M/50V 5*11      | nsp            |
| D713    |             |                    |                           |                | C816    |             |                    | ELECT,47µF-M/16V 5*11      | nsp            |
| D714    |             |                    | DIODE,1SS133T             | HD20015210     | C817    |             |                    | CER.CHIP,0.01µF-Z/50V-1608 | nsp            |
| D715    |             |                    | DIODE,1SS133T             | HD20015210     | C818    |             |                    | CER.,0.01µF-M/16V          | nsp            |
| D719    |             |                    | DIODE,IN4007              | *HD201570R     | C820    |             |                    | ELECT,47µF-M/16V 5*11      | nsp            |
| IC710   |             |                    | IC,KA7806                 | *HC300120R     | C821    |             |                    | CER.CHIP,0.01µF-Z/50V-1608 | nsp            |
| Q711    |             |                    | TRS.RC,KRC107M TO92M      | *BA001190R     | C822    |             |                    | ELECT,100µF-M/10V 5*11     | nsp            |
| Q712    |             |                    | TRS.2SA,KSA816Y TO92L     | *HT100600R     | C823    |             |                    | ELECT,10µF-M/50V 5*11      | nsp            |
| Q714    |             |                    | TRS.RC,KRC107M TO92M      | *BA001190R     | C824    |             |                    | CER.,0.01µF-M/16V          | nsp            |
| ZD711   |             |                    | D ZENER,MTZJ7.5B          | *HD301980R     | C825    |             |                    | ELECT,2.2µF-M/50V 5*11     | nsp            |
| ZD712   |             |                    | D ZENER,MTZJ15B           | *HD302000R     | C826    |             |                    | CER.,0.001µF-K/50V         | nsp            |
| ZD713   |             |                    | D ZENER,MTZJ15B           | *HD302000R     | C827    |             |                    | ELECT,2.2µF-M/50V 5*11     | nsp            |
| ZD715   |             |                    | D ZENER,MTZJ4.3B          | HD30431000     | C828    |             |                    | ELECT,10µF-M/50V 5*11      | nsp            |
| ZD716   |             |                    | D ZENER,MTZJ20B           | *HD301950R     | C829    |             |                    | ELECT,10µF-M/50V 5*11      | nsp            |
|         |             |                    |                           |                | C831    |             |                    | CER.CHIP,100pF-J/50V-1608  | nsp            |
| CP710   |             |                    | POWER - MISCELLANEOUS     |                | C832    |             |                    | ELECT,10µF-M/50V 5*11      | nsp            |
| CP711   |             |                    | CN.WAFE2.5MM,5267-04A 4P  | nsp            | C833    |             |                    | CER.CHIP,0.01µF-Z/50V-1608 | nsp            |
| CP712   |             |                    | CN.WAFE3.96MM,35328-0210  | nsp            | C834    |             |                    | ELECT,100µF-M/10V 5*11     | nsp            |
| CP714   |             |                    | CN.WAFE7.92MM,            | nsp            | C835    |             |                    | CER.,47pF-J/50V            | nsp            |
|         |             |                    | YW396-32V 2P              |                | C836    |             |                    | ELECT,1µF-M/50V 5*11       | nsp            |
| CP715   |             |                    | CN.WAFE2.0MM,             | nsp            | C837    |             |                    | CER.,20pF-J/50V            | nsp            |
|         |             |                    | G1L-S-4P-S2T2-EF          |                | C838    |             |                    | CER.CHIP,100pF-J/50V-1608  | nsp            |
| FC711   |             |                    | CN.WAFE2.0MM,             | nsp            | C839    |             |                    | ELECT,100µF-M/10V 5*11     | nsp            |
|         |             |                    | G1L-S-5P-S2T2-EF          |                |         |             |                    |                            |                |
| ▲F711   |             |                    | HOLDER,FUSE CLIP          | nsp            |         |             |                    |                            |                |
| FC712   |             |                    | FUSE (5.2*20),250V-S2.5A  | *FS000890R     |         |             |                    |                            |                |
|         |             |                    | HOLDER,FUSE CLIP          | nsp            |         |             |                    |                            |                |

NOTE : \*nsp\* PART IS LISTED FOR REFERENCE ONLY, MARANTZ WILL NOT SUPPLY THESE PARTS.

PS7200

| POS. NO | VERS. COLOR | PART NO. (FOR PCS) | DESCRIPTION                | PART NO. (MJI) | POS. NO | VERS. COLOR | PART NO. (FOR PCS) | DESCRIPTION               | PART NO. (MJI) |
|---------|-------------|--------------------|----------------------------|----------------|---------|-------------|--------------------|---------------------------|----------------|
| C840A   |             |                    | ELECT,47µF-M/16V 5*11      | nsp            | R846    |             |                    | CHIP,2.2K-J 1/16W-1608    | nsp            |
| C840U   |             |                    | CER.,20pF-J/50V            | nsp            | R847    |             |                    | CHIP,10K-J 1/16W-1608     | nsp            |
| C841A   |             |                    | CER.CHIP,0.01µF-Z/50V-1608 | nsp            | R848    |             |                    | 330-J 1/6W                | nsp            |
| C841U   |             |                    | CER.,20pF-J/50V            | nsp            | R849    |             |                    | CHIP,1M-J 1/16W-1608      | nsp            |
| C842    |             |                    | CER.CHIP,0.01µF-Z/50V-1608 | nsp            | R849A   |             |                    | CHIP,3K-J 1/16W-1608      | nsp            |
| C842A   |             |                    | CER.CHIP,0.01µF-Z/50V-1608 | nsp            | R850    |             |                    | CHIP,150K-J 1/16W-1608    | nsp            |
| C843    |             |                    | CER.,20pF-J/50V            | nsp            | R850A   |             |                    | CHIP,3.9K-J 1/16W-1608    | nsp            |
| C843A   |             |                    | CER.,22pF-J/50V            | nsp            | R851    |             |                    | 470K-J 1/6W               | nsp            |
| C844    |             |                    | ELECT,100µF-M/10V 5*11     | nsp            | R852    |             |                    | CHIP,33K-J 1/16W-1608     | nsp            |
| C845    |             |                    | CER.,0.001µF-K/50V         | nsp            | R853    |             |                    | CHIP,470K-J 1/16W-1608    | nsp            |
| C845A   |             |                    | ELECT,10µF-M/50V 5*11      | nsp            | R861    |             |                    | CHIP,220-J 1/16W-1608     | nsp            |
| C846    |             |                    | ELECT,1µF-M/50V 5*11       | nsp            | R862    |             |                    | CHIP,220-J 1/16W-1608     | nsp            |
| C847    |             |                    | CER.CHIP,100pF-J/50V-1608  | nsp            | R863    |             |                    | 100-J 1/6W                | nsp            |
| C848    |             |                    | CER.CHIP,220pF-K/50V-1608  | nsp            |         |             |                    |                           |                |
| C849    |             |                    | ELECT,1µF-M/50V 5*11       | nsp            |         |             |                    | S-VIDEO - SEMICONDUCTORS  |                |
| C849A   |             |                    | CER.CHIP,0.01µF-Z/50V-1608 | nsp            | D801    |             |                    | DIODE,1SS133T             | HD20015210     |
| C850A   |             |                    | CER.CHIP,0.01µF-Z/50V-1608 | nsp            | D801A   |             |                    | DIODE CHIP,KDS160         | *HD201560R     |
| C858    |             |                    | CER.CHIP,100pF-J/50V-1608  | nsp            | D802    |             |                    |                           |                |
| C858A   |             |                    | CER.CHIP,47pF-J/50V-1608   | nsp            | §       |             |                    | DIODE,1SS133T             | HD20015210     |
| C859    |             |                    | CER.CHIP,0.01µF-Z/50V-1608 | nsp            | D805    |             |                    |                           |                |
|         |             |                    | S-VIDEO - RESISTORS        |                | D811    |             |                    | DIODE,1SS133T             | HD20015210     |
| R801    |             |                    |                            |                | IC802   |             |                    | IC,NJM2296M SOP16         | HC10210090     |
| §       |             |                    | CHIP,56-J 1/16W-1608       | nsp            | IC803   |             |                    | IC,NJM2296M SOP16         | HC10210090     |
| R806    |             |                    |                            |                | IC804   |             |                    | IC,NJM2506 SOP16          | *HC107270R     |
| R807    |             |                    |                            |                | IC805   |             |                    | IC,M35010-001SP DIP20     | *HC107310R     |
| §       |             |                    | CHIP,75-J 1/16W-1608       | nsp            | IC806   |             |                    | IC,BA7046 DIP8            | *HC107230R     |
| R814    |             |                    |                            |                | Q801    |             |                    | TRS.RC,KRC107M TO92M      | *BA001190R     |
| R815    |             |                    | 2.2-J 1/6W                 | nsp            | Q802    |             |                    | TRS.2SA933S TO92M         | *HT100610R     |
| R816    |             |                    | 1K-J 1/6W                  | nsp            | Q803    |             |                    | TRS.RB,KRA107M            | *BA000190R     |
| R816A   |             |                    | CHIP,1K-J 1/16W-1608       | nsp            | Q804    |             |                    | TRS.RB,KRA107M            | *BA000190R     |
| R817    |             |                    | 1-J 1/6W                   | nsp            | Q805    |             |                    | TRS.RB,KRA107M            | *BA000190R     |
| R818    |             |                    | CHIP,2.2K-J 1/16W-1608     | nsp            | Q806    |             |                    | TRS.2SC,KTC2874B TO92     | *HT300880R     |
| R819    |             |                    | 47K-J 1/6W                 | nsp            | Q806A   |             |                    | TRS.2SC,KTC2874B TO92     | *HT300880R     |
| R819A   |             |                    | CHIP,68K-J 1/16W-1608      | nsp            | Q807    |             |                    | TRS.2SA933S TO92M         | *HT100610R     |
| R820    |             |                    | 68-J 1/6W                  | nsp            | Q808    |             |                    | TRS.RC,KRC107M TO92M      | *BA001190R     |
| R820A   |             |                    | CHIP,68K-J 1/16W-1608      | nsp            | Q816    |             |                    | TRS.2SA933S TO92M         | *HT100610R     |
| R822    |             |                    | 22K-J 1/6W                 | nsp            | Q851    |             |                    | TRS.2SC3199-GR/KTC3199-GR | *HT300880R     |
| R823    |             |                    | CHIP,33K-J 1/16W-1608      | nsp            | Q852    |             |                    | TRS.2SA933S TO92M         | *HT100610R     |
| R824    |             |                    | 75-J 1/6W                  | nsp            | Q854    |             |                    | TRS.2SA933S TO92M         | *HT100610R     |
| R825    |             |                    | CHIP,2.2K-J 1/16W-1608     | nsp            |         |             |                    | S-VIDEO - MISCELLANEOUS   |                |
| R826    |             |                    | CHIP,10K-J 1/16W-1608      | nsp            | CP801S  |             |                    | CN.WAFE2.5MM,5287-02A 2P  | nsp            |
| R827    |             |                    | CHIP,33K-J 1/16W-1608      | nsp            | CP801SV |             |                    | CN.WAFE2.0MM,             | nsp            |
| R828    |             |                    | CHIP,75-J 1/16W-1608       | nsp            |         |             |                    | G1L-S-4P-S2T2-EF          |                |
| R829    |             |                    | CHIP,2.2K-J 1/16W-1608     | nsp            | J807    |             |                    | CHIP,0-J 1/16W-1608       | nsp            |
|         |             |                    |                            |                | J810    |             |                    | CHIP,0-J 1/16W-1608       | nsp            |
| R830    |             |                    | CHIP,10K-J 1/16W-1608      | nsp            | J850    |             |                    | CHIP,0-J 1/16W-1608       | nsp            |
| R831    |             |                    | CHIP,10K-J 1/16W-1608      | nsp            | J852    |             |                    | CHIP,0-J 1/16W-1608       | nsp            |
| R832    |             |                    | CHIP,2K-J 1/16W-1608       | nsp            | J853    |             |                    | CHIP,0-J 1/16W-1608       | nsp            |
| R833    |             |                    | CHIP,10K-J 1/16W-1608      | nsp            | J854    |             |                    | CHIP,0-J 1/16W-1608       | nsp            |
| R834    |             |                    | CHIP,8.2K-J 1/16W-1608     | nsp            | J861    |             |                    |                           |                |
| R835    |             |                    | CHIP,15K-J 1/16W-1608      | nsp            | §       |             |                    | CHIP,0-J 1/16W-1608       | nsp            |
| R836    |             |                    | CHIP,75-J 1/16W-1608       | nsp            | J866    |             |                    |                           |                |
| R837    |             |                    | CHIP,47K-J 1/16W-1608      | nsp            | J932    |             |                    | CHIP,0-J 1/16W-1608       | nsp            |
| R838    |             |                    | CHIP,12K-J 1/16W-1608      | nsp            | L801    |             |                    | COIL FILTER-INDUCTOR,     | nsp            |
| R839    |             |                    | CHIP,1K-J 1/16W-1608       | nsp            |         |             |                    | 22UH-Q40/17M 02TB         |                |
| R840    |             |                    | CHIP,1K-J 1/16W-1608       | nsp            | L802    |             |                    | COIL FILTER-INDUCTOR,     | nsp            |
| R841    |             |                    | CHIP,1K-J 1/16W-1608       | nsp            |         |             |                    | 22UH-Q40/17M 02TB         |                |
| R842    |             |                    | CHIP,100-J 1/16W-1608      | nsp            | L804    |             |                    | BEAD COIL,                | nsp            |
| R843U   |             |                    | 470-J 1/6W                 | nsp            |         |             |                    | BAS3580T0 3.5PHI*8        |                |
| R844U   |             |                    | 1M-J 1/6W                  | nsp            | XTAL801 |             |                    | CRYSTAL,14.31818MHZ       | *JX000780R     |
| R845    |             |                    | 2.2K-J 1/6W                | nsp            |         |             |                    | HC49U-CL                  |                |

NOTE : \*nsp\* PART IS LISTED FOR REFERENCE ONLY, MARANTZ WILL NOT SUPPLY THESE PARTS.



PS7200

| POS. NO | VERS. COLOR | PART NO. (FOR PCS) | DESCRIPTION                | PART NO. (MJI) | POS. NO | VERS. COLOR | PART NO. (FOR PCS) | DESCRIPTION               | PART NO. (MJI) |
|---------|-------------|--------------------|----------------------------|----------------|---------|-------------|--------------------|---------------------------|----------------|
|         |             |                    | VIDEO CIRCUIT BOARD        |                | R852M   |             |                    | CHIP,33K-J 1/16W-1608     | nsp            |
|         |             |                    | VIDEO - CAPACITORS         |                | R853M   |             |                    | CHIP,470K-J 1/16W-1608    | nsp            |
| C832M   |             |                    | ELECT,10µF-M/50V 5*11      | nsp            | R864    |             |                    | 1K-J 1/6W                 | nsp            |
| C833M   |             |                    | CER.CHIP,0.01µF-Z/50V-1608 | nsp            | R865    |             |                    | 1K-J 1/6W                 | nsp            |
| C834M   |             |                    | ELECT,100µF-M/10V 5*11     | nsp            | R870M   |             |                    | CHIP,10K-J 1/16W-1608     | nsp            |
| C835M   |             |                    | CER.CHIP,47pF-J/50V-1608   | nsp            | R871    |             |                    | CHIP,10K-J 1/16W-1608     | nsp            |
| C836M   |             |                    | ELECT,1µF-M/50V 5*11       | nsp            | R872M   |             |                    | CHIP,56-J 1/16W-1608      | nsp            |
| C837M   |             |                    | CER.,20pF-J/50V            | nsp            | R873    |             |                    | CHIP,47-J 1/16W-1608      | nsp            |
| C838M   |             |                    | CER.CHIP,100pF-J/50V-1608  | nsp            | R874    |             |                    | 1K-J 1/6W                 | nsp            |
| C839M   |             |                    | ELECT,100µF-M/10V 5*11     | nsp            | R875    |             |                    | CHIP,10K-J 1/16W-1608     | nsp            |
| C840MU  |             |                    | CER.,20pF-J/50V            | nsp            | R876    |             |                    | CHIP,56-J 1/16W-1608      | nsp            |
| C841MU  |             |                    | CER.,20pF-J/50V            | nsp            | R877    |             |                    | CHIP,10K-J 1/16W-1608     | nsp            |
| C842M   |             |                    | CER.CHIP,0.01µF-Z/50V-1608 | nsp            | R878    |             |                    | CHIP,75-J 1/16W-1608      | nsp            |
| C843M   |             |                    | CER.,20pF-J/50V            | nsp            | R879    |             |                    | CHIP,56-J 1/16W-1608      | nsp            |
| C844M   |             |                    | ELECT,100µF-M/10V 5*11     | nsp            | R880    |             |                    | CHIP,75-J 1/16W-1608      | nsp            |
| C845M   |             |                    | CER.,0.001µF-K/50V         | nsp            | R881    |             |                    | CHIP,75-J 1/16W-1608      | nsp            |
| C846M   |             |                    | ELECT,1µF-M/50V 5*11       | nsp            | R882    |             |                    | CHIP,75-J 1/16W-1608      | nsp            |
| C847M   |             |                    | CER.CHIP,100pF-J/50V-1608  | nsp            | R883    |             |                    | 2.2K-J 1/6W               | nsp            |
| C848M   |             |                    | CER.CHIP,2200pF-K/50V-1608 | nsp            | R884    |             |                    | 1-J 1/6W                  | nsp            |
| C849M   |             |                    | ELECT,1µF-M/50V 5*11       | nsp            | R885    |             |                    | CHIP,2.2-J 1/16W-1608     | nsp            |
| C870M   |             |                    | CER.CHIP,47pF-J/50V-1608   | nsp            | R886    |             |                    | CHIP,47K-J 1/16W-1608     | nsp            |
| C871    |             |                    | CER.CHIP,47pF-J/50V-1608   | nsp            | R889    |             |                    | 33K-J 1/6W                | nsp            |
| C872M   |             |                    | ELECT,470µF-M/6.3V 8*11.5  | nsp            | R890    |             |                    | 68-J 1/6W                 | nsp            |
| C873    |             |                    | ELECT,470µF-M/6.3V 8*11.5  | nsp            | R891    |             |                    | 2.2K-J 1/6W               | nsp            |
| C874    |             |                    | CER.CHIP,47pF-J/50V-1608   | nsp            | R894M   |             |                    | 68-J 1/6W                 | nsp            |
| C875    |             |                    | ELECT,470µF-M/6.3V 8*11.5  | nsp            | R895M   |             |                    | 47K-J 1/6W                | nsp            |
| C876    |             |                    | CER.CHIP,47pF-J/50V-1608   | nsp            | R896M   |             |                    | 3.3K-J 1/6W               | nsp            |
| C877    |             |                    | ELECT,470µF-M/6.3V 8*11.5  | nsp            | R897    |             |                    | CHIP,10K-J 1/16W-1608     | nsp            |
| C878    |             |                    |                            |                | R899    |             |                    | 1K-J 1/6W                 | nsp            |
| 5       |             |                    | ELECT,10µF-M/50V 5*11      | nsp            |         |             |                    |                           |                |
| C881    |             |                    |                            |                |         |             |                    | VIDEO - SEMICONDUCTORS    |                |
| C882    |             |                    | ELECT,47µF-M/16V 5*11      | nsp            | D870    |             |                    | DIODE,1SS133T             | HD20015210     |
| C883    |             |                    | CER.CHIP,0.1µF-K/50V-1608  | nsp            | D871    |             |                    | DIODE CHIP,KDS160         | *HD201560R     |
| C884    |             |                    | CER.CHIP,0.1µF-K/50V-1608  | nsp            | D872    |             |                    | DIODE,1SS133T             | HD20015210     |
| C885    |             |                    | ELECT,47µF-M/16V 5*11      | nsp            | D873    |             |                    | DIODE,1SS133T             | HD20015210     |
| C886    |             |                    | ELECT,10µF-M/50V 5*11      | nsp            | D884    |             |                    | DIODE,1SS133T             | HD20015210     |
| C887    |             |                    | CER.CHIP,100pF-J/50V-1608  | nsp            | IC805M  |             |                    | IC,M35010-001SP DIP20     | *HC107310R     |
| C888    |             |                    | CER.,0.01µF-M/16V          | nsp            | IC806M  |             |                    | IC,BA7046 DIP8            | *HC107230R     |
| C889    |             |                    | ELECT,100µF-M/10V 5*11     | nsp            | IC871M  |             |                    | IC,NJM2296M SOP16         | HC10210090     |
| C890    |             |                    | CER.,0.001µF-K/50V         | nsp            | IC872   |             |                    | IC,NJM2296M SOP16         | HC10210090     |
| C891    |             |                    | ELECT,2.2µF-M/50V 5*11     | nsp            | IC873M  |             |                    | IC,BU4094BCF-E2 SOP16     | *HC400010R     |
| C892    |             |                    | CER.CHIP,100pF-J/50V-1608  | nsp            | IC874   |             |                    | IC,BU4094BCF-E2 SOP16     | *HC400010R     |
| C894    |             |                    | ELECT,10µF-M/50V 5*11      | nsp            | Q805M   |             |                    | TRS.RB,KRA107M            | *BA000190R     |
| C895    |             |                    | ELECT,10µF-M/50V 5*11      | nsp            | Q808M   |             |                    | TRS.RC,KRC107M TO92M      | *BA001190R     |
| C896    |             |                    | CER.CHIP,100pF-J/50V-1608  | nsp            | Q821    |             |                    | TRS.2SA933S TO92M         | *HT100610R     |
|         |             |                    | VIDEO - RESISTORS          |                | Q822    |             |                    | TRS.2SC,KTC2874B TO92     | *HT300880R     |
| R831M   |             |                    | CHIP,10K-J 1/16W-1608      | nsp            | Q851M   |             |                    | TRS.2SC3199-GR/KTC3199-GR | *HT300890R     |
| R832M   |             |                    | CHIP,2K-J 1/16W-1608       | nsp            | Q870    |             |                    | TRS.RC,KRC107M TO92M      | *BA001190R     |
| R833M   |             |                    | CHIP,10K-J 1/16W-1608      | nsp            | Q871    |             |                    | TRS.RB,KRA107M            | *BA000190R     |
| R834M   |             |                    | CHIP,8.2K-J 1/16W-1608     | nsp            | Q873M   |             |                    | TRS.2SA933S TO92M         | *HT100610R     |
| R835M   |             |                    | CHIP,68K-J 1/16W-1608      | nsp            |         |             |                    | VIDEO - MISCELLANEOUS     |                |
| R841M   |             |                    | CHIP,1K-J 1/16W-1608       | nsp            | CP301V  |             |                    | CN.WAFE2.0MM,             | nsp            |
| R842M   |             |                    | CHIP,100-J 1/16W-1608      | nsp            |         |             |                    | GIL-S-2P-S2T2-EF          |                |
| R843MU  |             |                    | 470-J 1/6W                 | nsp            | J887M   |             |                    | CHIP,0-J 1/16W-1608       | nsp            |
| R844MU  |             |                    | 1M-J 1/6W                  | nsp            | J904M   |             |                    | CHIP,0-J 1/16W-1608       | nsp            |
| R845M   |             |                    | 2.2K-J 1/6W                | nsp            | J905M   |             |                    | CHIP,0-J 1/16W-1608       | nsp            |
| R846M   |             |                    | CHIP,2.2K-J 1/16W-1608     | nsp            | J911    |             |                    |                           |                |
| R847M   |             |                    | CHIP,10K-J 1/16W-1608      | nsp            | 5       |             |                    | CHIP,0-J 1/16W-1608       | nsp            |
| R848M   |             |                    | 330-J 1/6W                 | nsp            | J916    |             |                    |                           |                |
| R849M   |             |                    | CHIP,1M-J 1/16W-1608       | nsp            | L801M   |             |                    | COIL FILTER-INDUCTOR,     | nsp            |
| R850M   |             |                    | CHIP,150K-J 1/16W-1608     | nsp            |         |             |                    | 22UH-Q40/17M 02TB         |                |
| R851M   |             |                    | 470K-J 1/6W                | nsp            | L802M   |             |                    | COIL FILTER-INDUCTOR,     | nsp            |
|         |             |                    |                            |                |         |             |                    | 22UH-Q40/17M 02TB         |                |

NOTE : \*nsp\* PART IS LISTED FOR REFERENCE ONLY, MARANTZ WILL NOT SUPPLY THESE PARTS.

PS7200

| POS. NO      | VERS. COLOR | PART NO. (FOR PCS) | DESCRIPTION  | PART NO. (MJI) | POS. NO | VERS. COLOR | PART NO. (FOR PCS) | DESCRIPTION  | PART NO. (MJI) |
|--------------|-------------|--------------------|--|----------------|---------|-------------|--------------------|--|----------------|
| XTAL&01M     |             |                    | CRYSTAL,14.31818MHZ<br>HC49U-CL  | *JX000780R     |         |             |                    | SPEAKER A CIRCUIT BOARD<br>SPEAKER A - MISCELLANEOUS<br>CN.WAFE2.5MM,52668-1317<br>ANG ZIP | nsp            |
| C898         |             |                    | COMPONENT VIDEO<br>CIRCUIT BOARD<br>C VIDEO - CAPACITORS<br>ELECT,1µF-M/50V 5*11 | nsp            | CN101   |             |                    |  |                |
| C899         |             |                    | CER.,0.1µF-Z/50V P16   | nsp            |         |             |                    | SPEAKER B CIRCUIT BOARD<br>SPEAKER B - CAPACITORS<br>CER.,0.0047µF-K/16V                   | nsp            |
| C900         |             |                    | ELECT,1µF-M/50V 5*11   | nsp            | C952L   |             |                    | CER.,0.0047µF-K/16V  | nsp            |
| C901         |             |                    | CER.,0.1µF-Z/50V P16   | nsp            | C952R   |             |                    |  | nsp            |
| C902         |             |                    | ELECT,1µF-M/50V 5*11   | nsp            |         |             |                    | SPEAKER B - MISCELLANEOUS<br>CN.WAFE3.96MM,JE202A2T4<br>ANG4P                              | nsp            |
| C903         |             |                    | CER.,0.1µF-Z/50V P16   | nsp            | CN951   |             |                    |  |                |
| C904         |             |                    | ELECT,10µF-M/50V 5*11  | nsp            |         |             |                    | TUNER INPUT<br>CIRCUIT BOARD<br>TUNER INPUT - CAPACITORS<br>CER.,0.1µF-Z/50V               | nsp            |
| C909         |             |                    | ELECT,470µF-M/6.3V 8*11.5  | nsp            | C953    |             |                    |  |                |
| C910         |             |                    | ELECT,470µF-M/6.3V 8*11.5  | nsp            |         |             |                    | TUNER INPUT - RESISTORS<br>470-J 1/6W  | nsp            |
| C911         |             |                    | ELECT,470µF-M/6.3V 8*11.5  | nsp            | R951    |             |                    | 470-J 1/6W   | nsp            |
| C912         |             |                    | ELECT,220µF-M/10V 6.3*11   | nsp            | R952    |             |                    |  | nsp            |
| C915         |             |                    | ELECT,220µF-M/10V 6.3*11   | nsp            |         |             |                    | TUNER INPUT-MISCELLANEOUS<br>CN.WAFE2.0MM,<br>G1L-S-3P-S2T2-EF                             | nsp            |
| C916         |             |                    | ELECT,220µF-M/10V 6.3*11   | nsp            | CP302T  |             |                    |  |                |
| C918         |             |                    | CER.,0.01µF-K/50V  | nsp            |         |             |                    |  |                |
| C919         |             |                    | CER.,0.01µF-K/50V  | nsp            |         |             |                    |  |                |
| C920         |             |                    | ELECT,10µF-M/35V 5*11  | nsp            |         |             |                    |  |                |
| C921         |             |                    | ELECT,10µF-M/35V 5*11  | nsp            |         |             |                    |  |                |
| C922         |             |                    | ELECT,10µF-M/35V 5*11  | nsp            |         |             |                    |  |                |
|              |             |                    | C VIDEO - RESISTORS  |                |         |             |                    |  |                |
| R898         |             |                    | 75-J 1/6W  | nsp            |         |             |                    |  |                |
| R906         |             |                    | 47K-J 1/6W   | nsp            |         |             |                    |  |                |
| R915         |             |                    | 100-J 1/6W   | nsp            |         |             |                    |  |                |
| R921         |             |                    | 100-J 1/6W   | nsp            |         |             |                    |  |                |
| R922         |             |                    | 100-J 1/6W   | nsp            |         |             |                    |  |                |
| R923         |             |                    | 100-J 1/6W   | nsp            |         |             |                    |  |                |
| R924         |             |                    | 270-J 1/6W   | nsp            |         |             |                    |  |                |
| R925         |             |                    | 270-J 1/6W   | nsp            |         |             |                    |  |                |
| R926         |             |                    | 10K-J 1/6W   | nsp            |         |             |                    |  |                |
| R927         |             |                    | 270-J 1/6W   | nsp            |         |             |                    |  |                |
| R928         |             |                    | 270-J 1/6W   | nsp            |         |             |                    |  |                |
| R929         |             |                    | 10K-J 1/6W   | nsp            |         |             |                    |  |                |
| R930         |             |                    | 270-J 1/6W   | nsp            |         |             |                    |  |                |
| R931         |             |                    | 270-J 1/6W   | nsp            |         |             |                    |  |                |
| R932         |             |                    | 10K-J 1/6W   | nsp            |         |             |                    |  |                |
|              |             |                    | C VIDEO - SEMICONDUCTORS   |                |         |             |                    |  |                |
| D452         |             |                    | DIODE,1SS133T  | HD20015210     |         |             |                    |  |                |
| D453         |             |                    | DIODE,1SS133T  | HD20015210     |         |             |                    |  |                |
| IC898        |             |                    | IC,MM74HC4053MX SOP16  | *HC800010R     |         |             |                    |  |                |
| IC899        |             |                    | IC,RC6333 SOP14  | *HC107580R     |         |             |                    |  |                |
| Q901         |             |                    | TRS.RC,KRC107M TO92M   | *BA001190R     |         |             |                    |  |                |
|              |             |                    | C VIDEO - MISCELLANEOUS<br>CN.WAFE2.0MM,<br>TUC-P06X-B1 HOUSING ST               | nsp            |         |             |                    |  |                |
|              |             |                    | GUIDE CIRCUIT BOARD<br>GUIDE - MISCELLANEOUS<br>CLAMP,HMX9800 DARA-2             | nsp            |         |             |                    |  |                |
| CLAMP<br>101 |             |                    | CLAMP,HMX9800 DARA-2   | nsp            |         |             |                    |  |                |
| CLAMP<br>102 |             |                    | CLAMP,HMX9800 DARA-2   | nsp            |         |             |                    |  |                |

NOTE : \*nsp PART IS LISTED FOR REFERENCE ONLY, MARANTZ WILL NOT SUPPLY THESE PARTS.